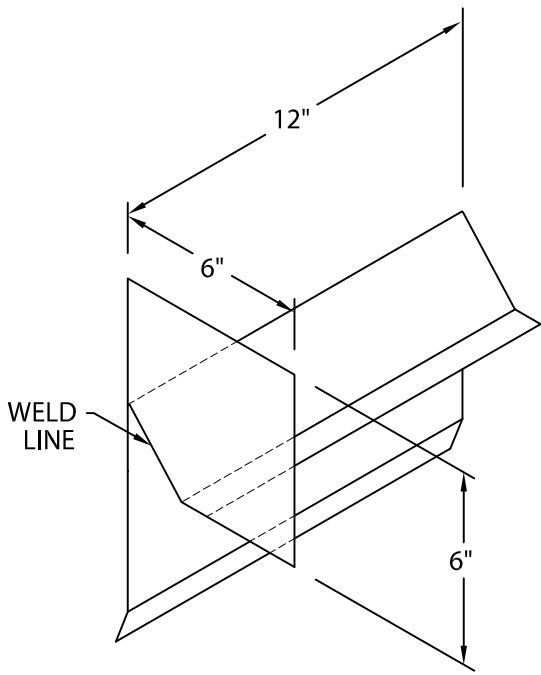


VERSITRIM SYSTEM 200 FASCIA

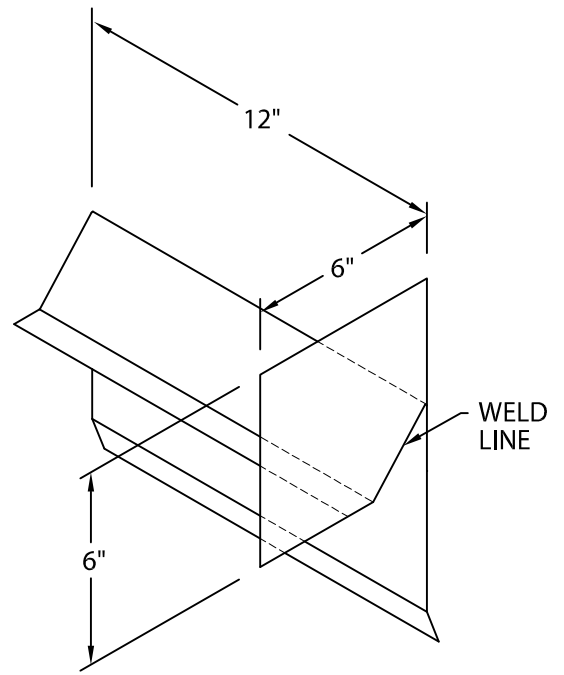
SINGLE-PLY APPLICATION, SNAP-ON VERSION

TYPICAL FASCIA ENDCAPS AND ENDWALL FLASHING

ENDWALL FLASHING



LEFT ENDWALL

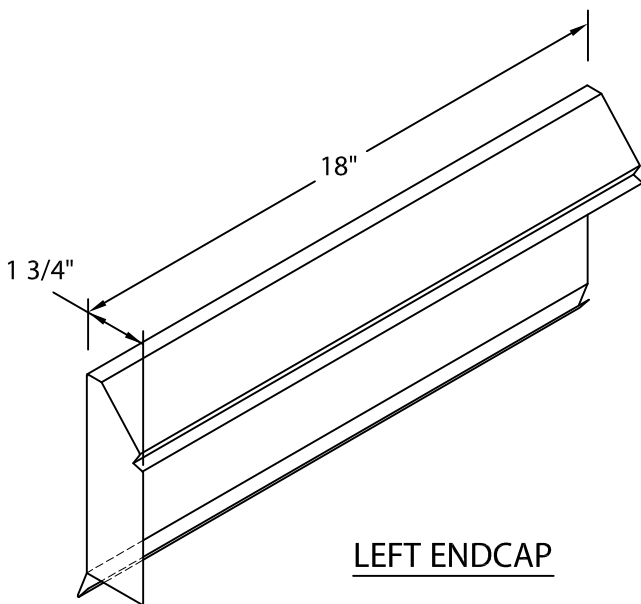


RIGHT ENDWALL

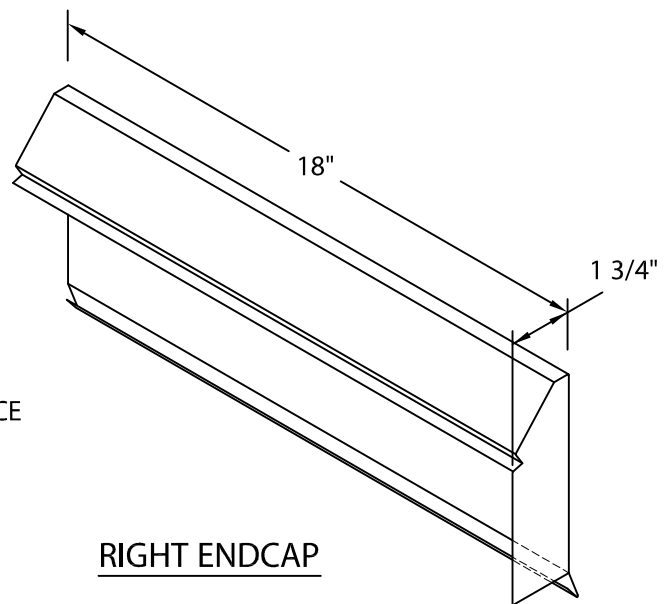
MATERIAL: .050 MILL FINISH

DIRECTION IS DETERMINED AS SEEN FROM ROOF SIDE

FASCIA ENDCAPS



LEFT ENDCAP



RIGHT ENDCAP

FASCIA COVER
INCLUDES SPLICE
PLATES

MATERIAL: SAME AS FASCIA COVER

DIRECTION IS DETERMINED AS SEEN FROM ROOF SIDE



Customer Service
800-558-2162

DATE: 09/16/10
DRN BY: JJC
CKD BY: SAK

SHT.# ___ OF ___
DWG# 18510-11538

B