

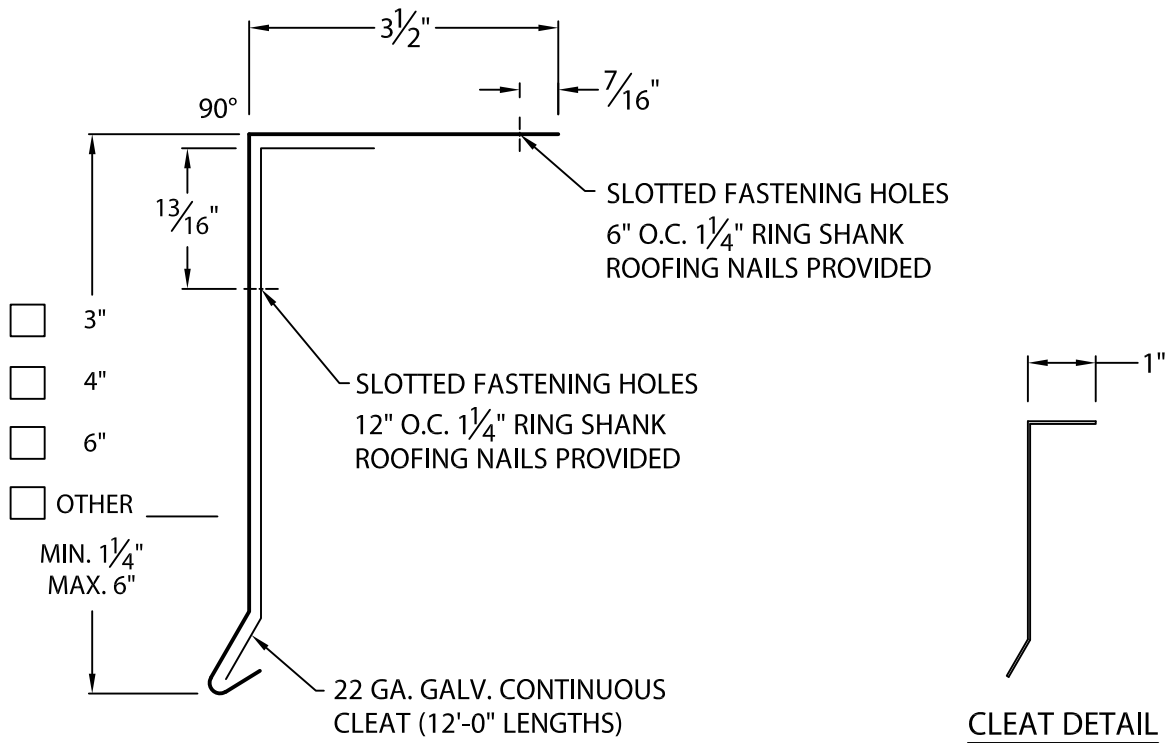


UNA-Edge™ TPO COATED DRIP EDGE

1 1/4" TO 6" FACE HEIGHT WITH CONTINUOUS CLEAT

FLORIDA BUILDING CODE APPROVED

ANSI/SPRI/FM 44351 / ES-1 DESIGN PRESSURE OF 282 psf



FOR FACE SIZES OVER 6" SEE PRINT APPROVAL #13010-28685

MATERIAL:

24 GA. GALVANIZED STEEL FIRESTONE TPO COATED

COLOR:

WHITE

QUANTITIES:

_____ LINEAL FEET 10'-0" LENGTHS

_____ OUTSIDE MITERS @ 90°

_____ INSIDE MITERS @ 90°

FOR NON 90° MITERS SEE PRINT APPROVAL #13010-1043

NOTES:

- NO LAP NOTCHES PROVIDED.
- NO SPLICE PLATES PROVIDED.

AUTHORIZED SIGNATURE:

APPROVED BY: _____

DATE: _____

RETURN THIS FORM TO YOUR FIRESTONE SALES REPRESENTATIVE. FIND THEM AT:

[HTTP://WWW.FIRESTONEBPC.COM/CONTRACTORS/SALESREPS/](http://www.firestonebpc.com/contractors/salesreps/)

PROJECT:

ARCHITECT:

ROOFING CONTRACTOR:

REPRESENTATIVE/DISTRIBUTOR:

Firestone
Firestone Building Products

PHONE: 800-872-0203
FAX: 800-770-3934

DATE: 05/05/18

DRN BY: JJC

CKD BY: SAK

SHT.# _____ OF _____

DWG# 13010-19708

F