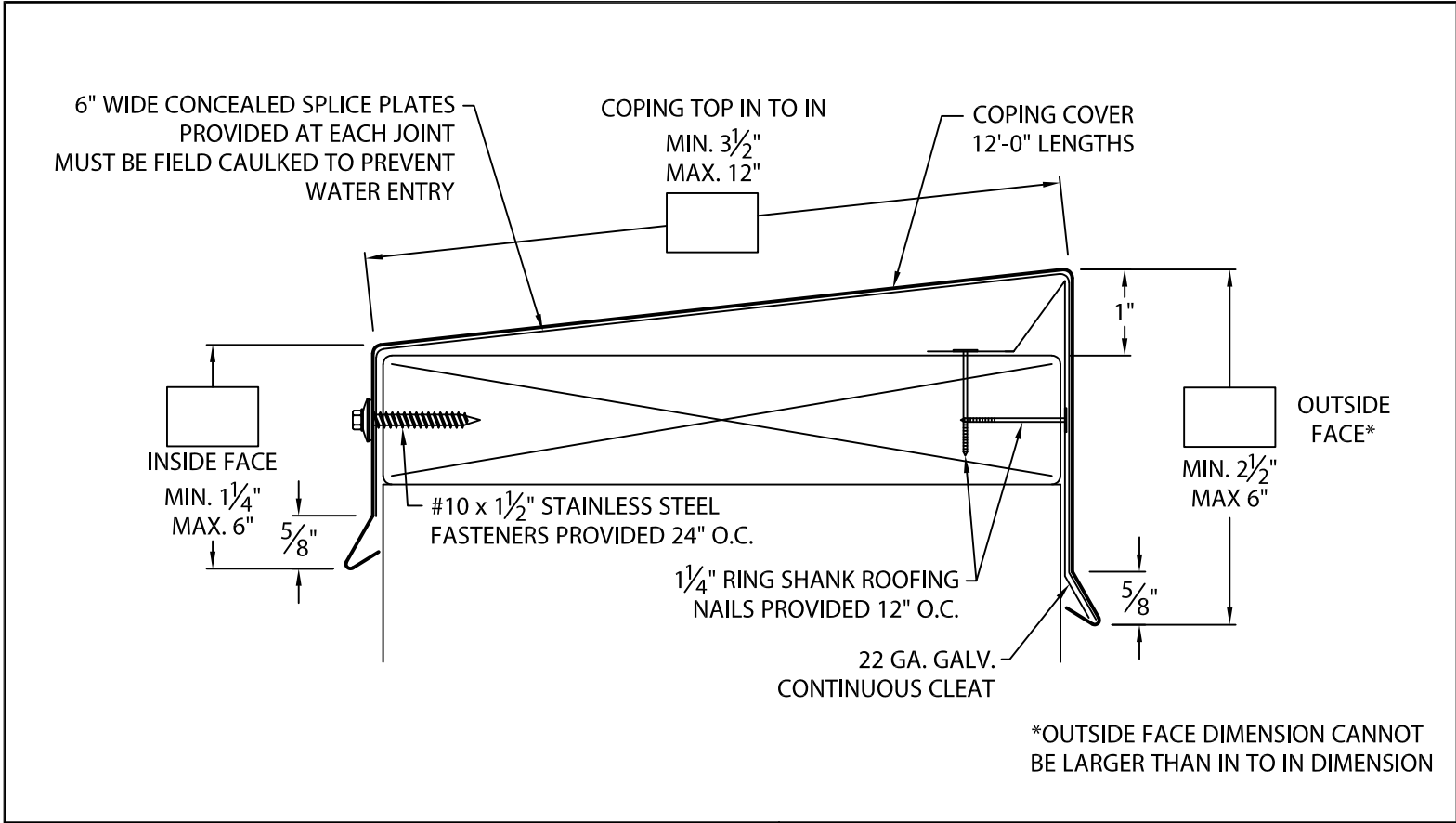


# UNA-Edge™ COPING

TAPERED VERSION

ANSI/SPRI/FM 4435/ ES-1 DESIGN PRESSURE OF 160 psf



① WELDED ACCESSORIES REQUIRE A MIN. MATERIAL THICKNESS OF .050"

## NOTES:

- INCLUDES 6" WIDE CONCEALED SPLICE PLATES.
- CONCEALED SPLICE PLATES MUST BE FIELD CAULKED TO PREVENT WATER ENTRY.
- UNLESS OTHERWISE NOTES, FABRICATION OF MITERS AND ACCESSORIES ARE FURNISHED STANDARD UTILIZING A NON-PENETRATING QUICKLOCK JOINT, THEN FACTORY SEALED WATERTIGHT.

AUTHORIZED SIGNATURE:

APPROVED BY: \_\_\_\_\_

DATE: \_\_\_\_\_

RETURN THIS FORM TO YOUR FIRESTONE SALES REPRESENTATIVE. FIND THEM AT:

[HTTP://WWW.FIRESTONEBPC.COM/CONTRACTORS/SALESREPS/](http://www.firestonebpc.com/contractors/salesreps/)

## MATERIAL:

- \_\_\_ 24 GA. GALVANIZED STEEL
  - \_\_\_ 22 GA. GALVANIZED STEEL
  - \_\_\_ .040" ALUMINUM
  - \_\_\_ .050" ALUMINUM
  - \_\_\_ .063" ALUMINUM
  - \_\_\_ OTHER \_\_\_\_\_
- COLOR: \_\_\_\_\_
- FINISH: \_\_\_\_\_

## QUANTITIES:

- \_\_\_ LINEAL FEET 12'-0" LENGTHS
  - \_\_\_ OUTSIDE MITERS @ 90°
  - \_\_\_ INSIDE MITERS @ 90°
  - \_\_\_ RIGHT ENDCAPS
  - \_\_\_ LEFT ENDCAPS
- SPECIFY ACCESSORY TYPE:
- WELDED ①
  - QUICKLOCK
- FOR NON-90 MITERS SEE PRINT APPROVAL #13011-1270

PROJECT:

ARCHITECT:

ROOFING CONTRACTOR:

REPRESENTATIVE/DISTRIBUTOR:

**Firestone**  
Firestone Building Products

EDGE GARD SYSTEMS  
PHONE: 800-872-0203  
FAX: 800-770-3934

DATE: 05/05/18

DRN BY: JJC

CKD BY: SAK

SHT.# \_\_\_\_ OF \_\_\_\_

DWG# 13011-24990

C