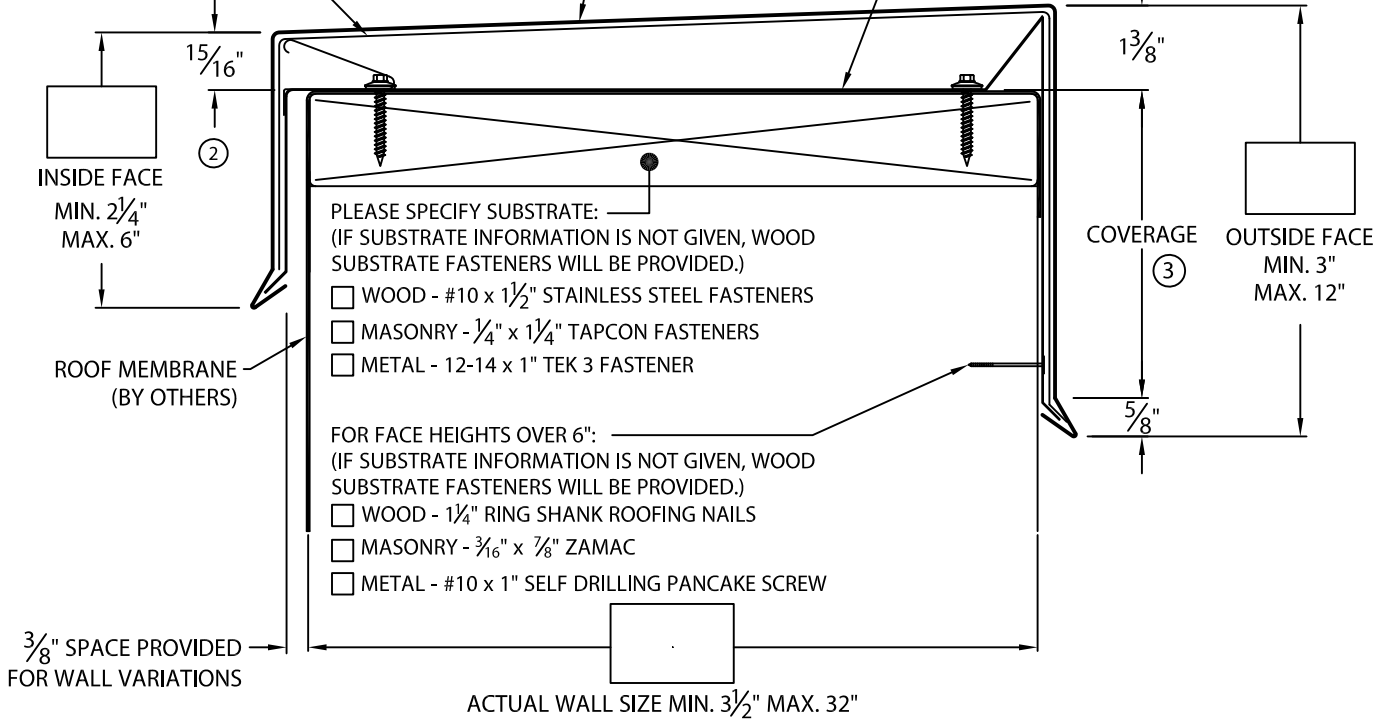


8" WIDE CONCEALED SPLICE PLATE WITH
FACTORY APPLIED DUAL NON-CURING
SEALANT STRIPS AT EACH JOINT

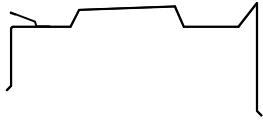
COPING COVER
(12'-0" LENGTHS)

12" WIDE GALV. ANCHOR CLIPS
(SPACING DETERMINED BY METAL-ERA) ①



NOTES:

- ① ANCHOR CLIP PROFILE ON WALLS GREATER THAN 14".
- ② IF WALL SIZE IS OVER 16", THE RISE IS 5/8".
- ③ FACE = COVERAGE (SHOULD EXTEND A MIN. OF 1" BELOW WATERPROOFING MEMBRANE) + 2".
- ④ 24 GA. GALV. AND .040" ALUM. COPING COVERS AVAILABLE FOR WALL SIZES 3 1/2" TO 24" ONLY.
- ⑤ WELDED ACCESSORIES REQUIRE A MINIMUM MATERIAL THICKNESS OF .050".
- ⑥ FOR NON 90° MITERS PLEASE USE PRINT APPROVAL #11011-1487.



MATERIAL:

___ 24 GA. GALVANIZED STEEL ④ ___ .040" ALUMINUM ④
 ___ 22 GA. GALVANIZED STEEL ___ .050" ALUMINUM
 ___ OTHER _____ ___ .063" ALUMINUM
 COLOR: _____ FINISH: _____

QUANTITIES:

_____ LINEAL FEET 12'-0" LENGTHS

ACCESSORIES:

_____ OUTSIDE MITERS @ 90° ⑥
 _____ INSIDE MITERS @ 90° ⑥
 _____ RIGHT ENDCAPS
 _____ LEFT ENDCAPS
 _____ RIGHT ENDWALL (COPING VERSION)
 _____ LEFT ENDWALL (COPING VERSION)
 _____ RIGHT ENDWALL (SPLICE PLATE VERSION)
 _____ LEFT ENDWALL (SPLICE PLATE VERSION)

SPECIFY ACCESSORY TYPE:
 WELDED ⑤
 QUICKLOCK

AUTHORIZED SIGNATURE:

APPROVED BY: _____

DATE: _____



ANSI/SPRI ES-1 TESTED

PROJECT:

ARCHITECT:

ROOFING CONTRACTOR:

REPRESENTATIVE/DISTRIBUTOR:

CORPORATE OFFICES, MANUFACTURING
1600 AIRPORT ROAD; WAUKESHA, WI 53188

PHONE: 800-558-2162
FAX: 800-373-9156

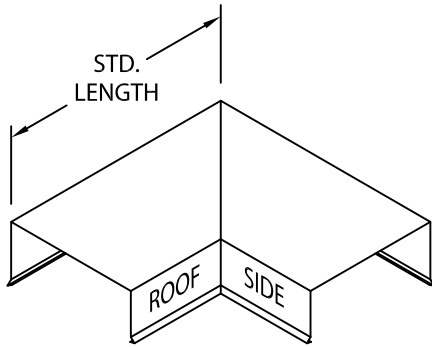
WEBSITE: WWW.METALERA.COM
EMAIL: QUOTE@METALERA.COM

DATE: 10/05/17
DRN BY: JAB
CKD BY: SAK

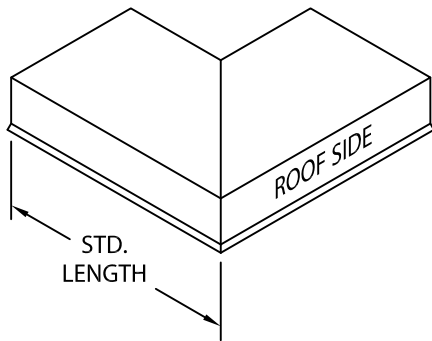
SHT.# ___ OF ___
DWG# 11011-19115

F

PERMA-TITE COPING



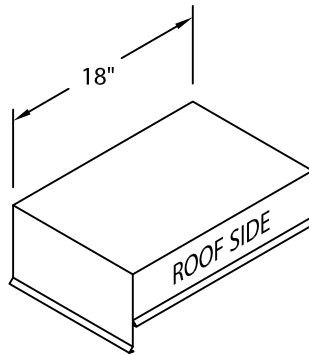
OUTSIDE MITER



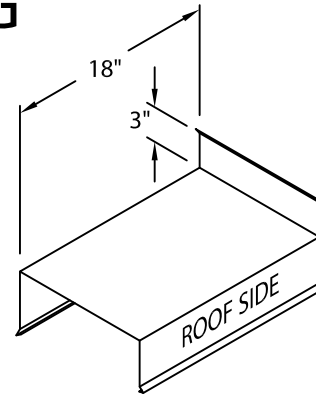
INSIDE MITER

MITER STANDARD LEG LENGTH:
WALL SIZE + $9\frac{5}{8}$ " = LENGTH

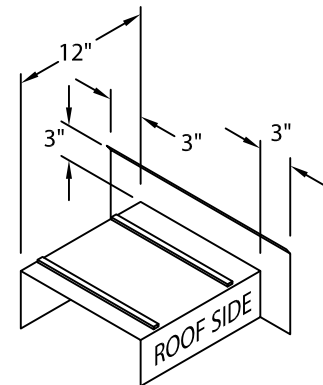
PERMA-TITE COPING STANDARD ACCESSORIES



ENDCAP
(LEFT HAND SHOWN)



ENDWALL FLASHING
COPING VERSION
(RIGHT HAND SHOWN)



ENDWALL FLASHING
SPLICE PLATE VERSION
(RIGHT HAND SHOWN)
(AVAILABLE ONLY IN
.040" WELDED, PAINTED
TO MATCH COPING)

ADDITIONAL ACCESSORIES ARE AVAILABLE ON WEBSITE:

- TRANSITION MITERS
- STRAIGHT TRANSITION MITERS
- "T" MITERS
- "Z" MITERS
- STEP-UP MITERS
- PEAK / VALLEY MITERS
- PILASTER CAPS
- RADIUS COPING
- ARCHED COPING

(FOR ADDITIONAL ACCESSORY REQUIREMENTS, ATTACH SKETCHES OR CALL MANUFACTURER FOR ASSISTANCE).