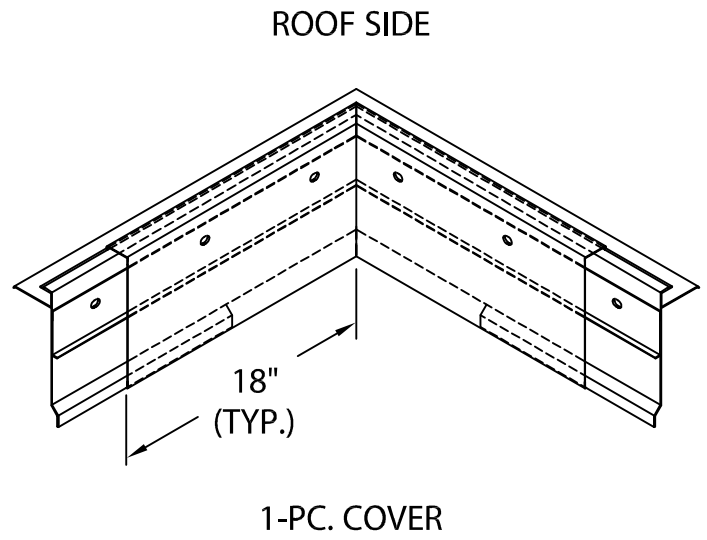
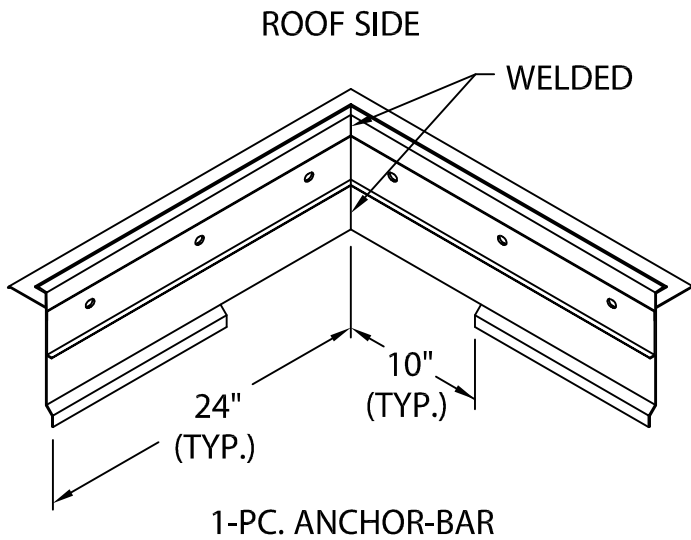


ANCHOR-TITE HG FASCIA

BUILT-UP OR MODIFIED VERSION

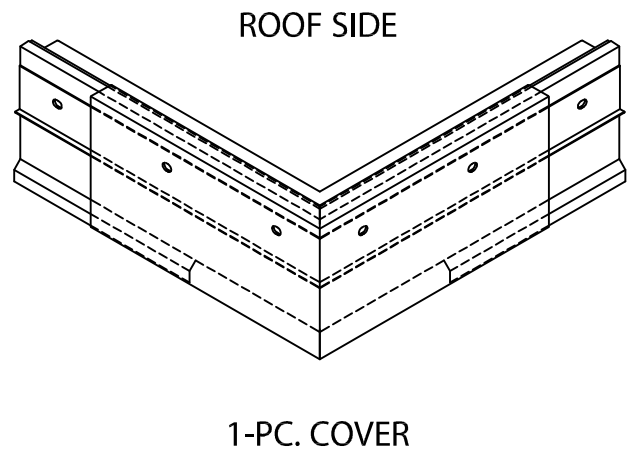
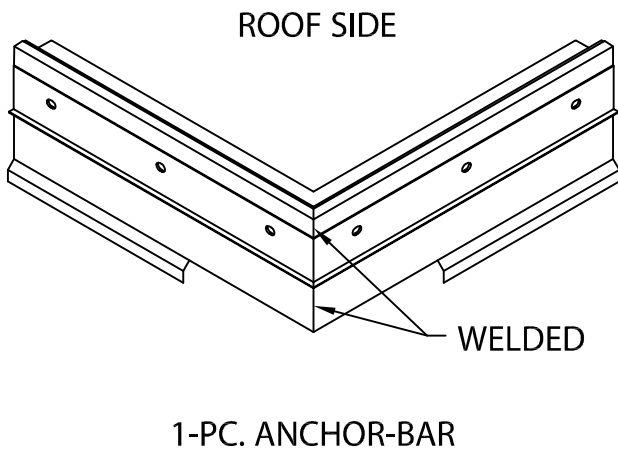
MITERS - FACTORY WELDED CONSTRUCTION

INSIDE MITER



FASTENERS INCLUDED

OUTSIDE MITER



NOTE: TREATED WOOD NAILERS REQUIRED.

PROJECT:	Corporate Offices, Manufacturing 1600 Airport Road; Waukesha, WI 53188 Phone: 800-558-2162 Fax: 800-373-9156 www.metalera.com
ARCHITECT:	
ROOFING CONTRACTOR:	
REPRESENTATIVE/DISTRIBUTOR:	



DATE: 03/28/07	SHT.# ____ OF ____
DRN BY: JJC	DWG# 11510-5485
CKD BY: SAK	