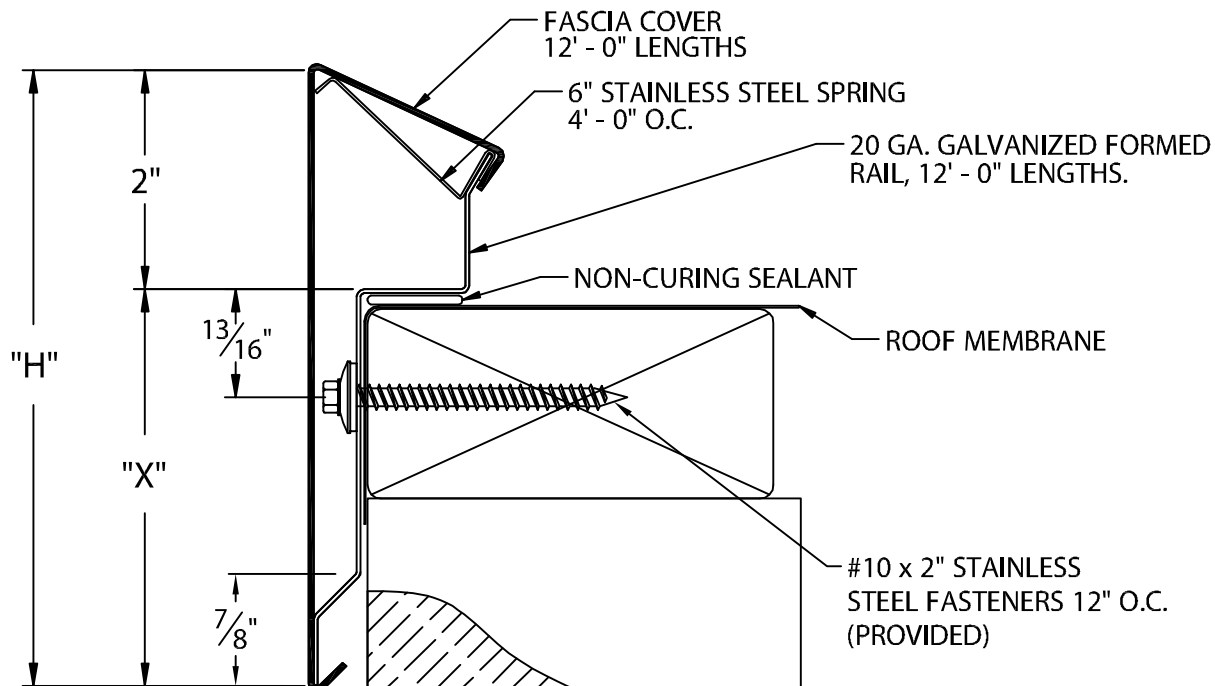


ONE EDGE

STONE BALLAST SINGLE-PLY VERSION

24 GA. AND .040 MATERIAL

ANSI/SPRI ES-1 DESIGN PRESSURE OF 200 psf



PRINT APPROVED BY:

(SIGNATURE)

(DATE)

A SIGNED PRINT APPROVAL SIGNIFIES A CONTRACTOR HAS VERIFIED ALL DIMENSIONS, SIZES AND QUANTITIES. AND MATERIAL TYPES.

FABRICATION WILL PROCEED ONLY AFTER RECEIPT OF SIGNED PRINT APPROVAL.

MATERIAL:

___ 24 GA. GALV. STEEL

___ .040" ALUMINUM

___ OTHER _____

COLOR: _____

FINISH: _____

QUANTITIES:

___ LINEAL FEET (12' - 0" LENGTHS)

___ OUTSIDE MITER(S) (COVER ONLY) ___ °

___ INSIDE MITER(S) (COVER ONLY) ___ °

PROJECT INFORMATION:

(PROJECT NAME)

(ARCHITECT)

(ROOFING CONTRACTOR)

(REPRESENTATIVE/DISTRIBUTOR)

NOTES:

1. SEALANTS AND ROOF MEMBRANE SUPPLIED BY OTHERS.
2. FASCIA COVER PROVIDED WITH 1" LAP JOINT.
3. RAIL MITERS ARE NOT PROVIDED (COVER ONLY).

AVAILABLE SIZES:

PRODUCT I.D.	"H" DIM	"X" DIM
___ ESE-B50	5"	3"
___ ESE-B65	6 1/2"	4 1/2"
___ ESE-B80	8"	6"



CORPORATE OFFICES, MANUFACTURING
1600 AIRPORT ROAD; WAUKESHA, WI 53188
PHONE: 800-558-2162
FAX: 800-373-9156
WWW.METALERA.COM

DATE: 08/28/14

SHEET ___ OF ___

DRN BY: JJC

DWG: 24310-2727

L