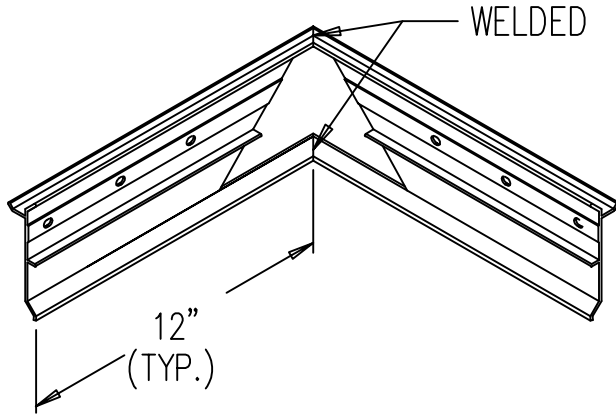


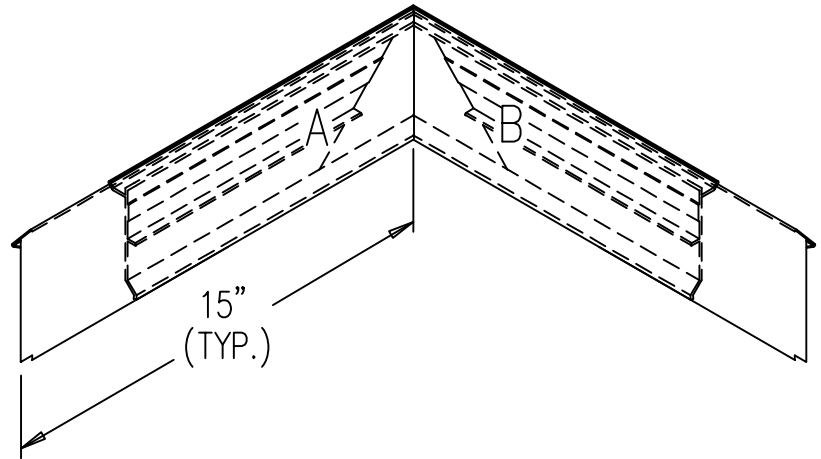
INSIDE MITER

ROOF SIDE



1-PC. ANCHOR-BAR

ROOF SIDE

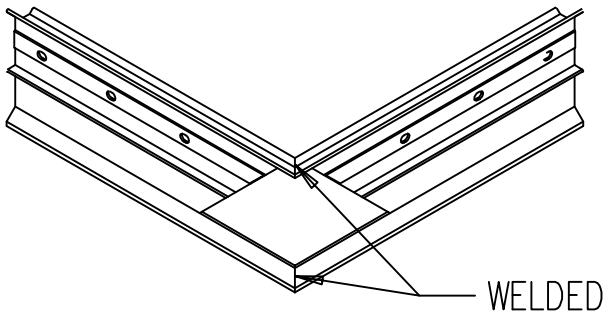


2-PC. SNAP-ON COVER

FASTENERS INCLUDED

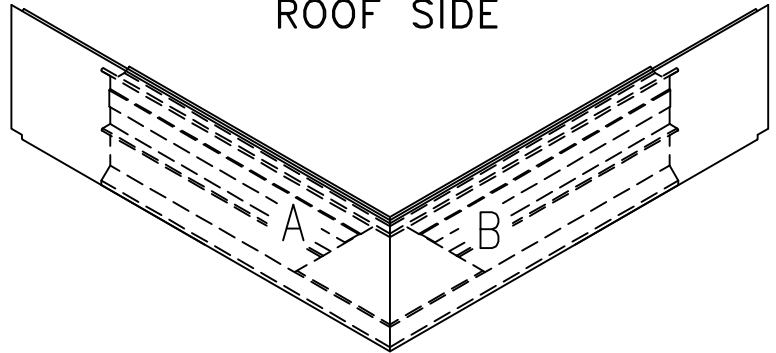
OUTSIDE MITER

ROOF SIDE



1-PC. ANCHOR-BAR

ROOF SIDE



2-PC. SNAP-ON COVER

NOTE:TREATED WOOD NAILERS REQUIRED.

PROJECT	Sika Sarnafil Inc. 100 Dan Road Canton, MA 02021 (800) 451-2504 Fax: (781) 828-5365 www.metalera.com/sikasarnafil
ARCHITECT	
ROOFING CONTRACTOR	
REPRESENTATIVE/DISTRIBUTOR	



DATE: 06/01/02
DRN BY: DJB
CKD BY: SAK

SHT.# ____ OF ____
DWG# 14510-2831
B