

# DOW COPING

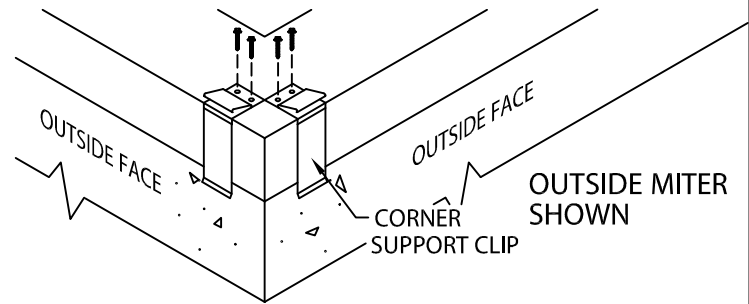
OVER 6" TO 12" FACE HEIGHT TAPERED VERSION - 4'-0" O.C.

## INSTALLATION INSTRUCTIONS

**IMPORTANT:** Prior to installation, read instructions carefully.

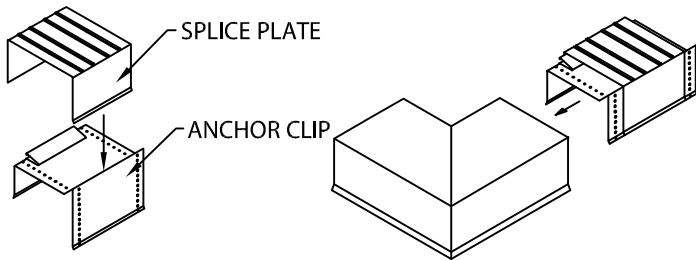
**NOTE:** Position roof membrane on top of the wall covering the treated wood nailer(s) or substrate completely. Allow 1/2" minimum excess membrane beyond nailer where applicable. NRCA requirement.

**CAUTION:** INSTALL MITERS FIRST!

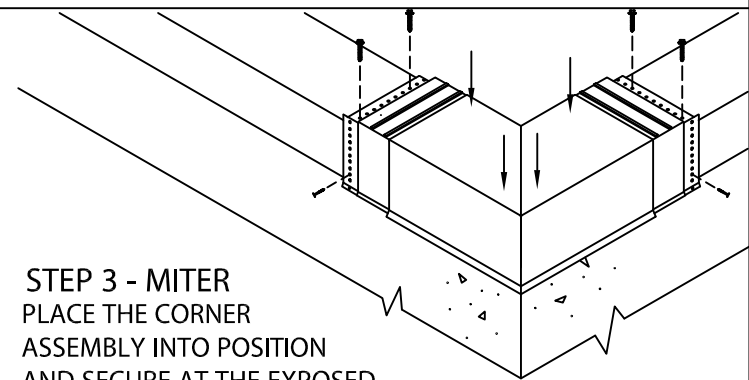


### STEP 1 - CORNER SUPPORT CLIPS

LOCATE AND FASTEN GALVANIZED CORNER SUPPORT CLIPS TO THE WALL.



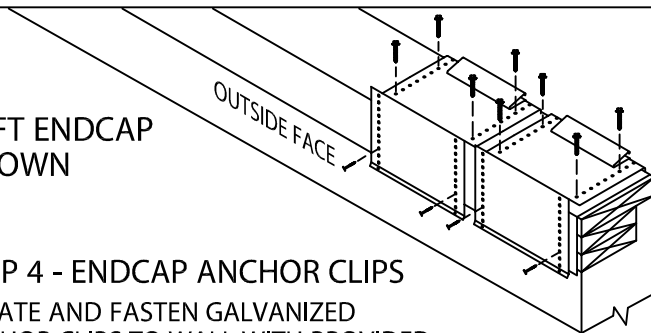
**STEP 2 - MITER SPLICE PLATES & ANCHOR CLIPS**  
POSITION THE SPLICE PLATE IN THE CENTER OF THE ANCHOR CLIP. INSTALL THE SPLICE PLATE AND ANCHOR CLIP ASSEMBLY INTO EACH END OF THE CORNER AS SHOWN



### STEP 3 - MITER

PLACE THE CORNER ASSEMBLY INTO POSITION AND SECURE AT THE EXPOSED EDGE OF THE ANCHOR CLIPS AS PER DETAIL A.

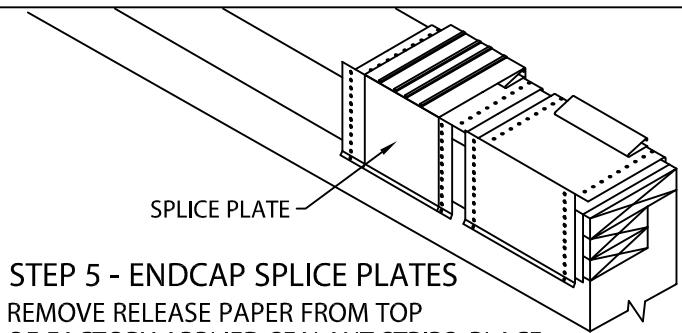
LEFT ENDCAP SHOWN



### STEP 4 - ENDCAP ANCHOR CLIPS

LOCATE AND FASTEN GALVANIZED ANCHOR CLIPS TO WALL WITH PROVIDED FASTENERS FOR SUBSTRATE (SEE DETAIL A).

SPLICE PLATE



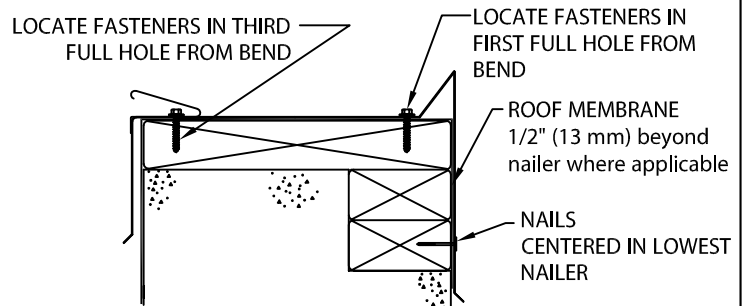
### STEP 5 - ENDCAP SPLICE PLATES

REMOVE RELEASE PAPER FROM TOP OF FACTORY APPLIED SEALANT STRIPS. PLACE SPLICE PLATE ONTO SECOND ANCHOR CLIP AS SHOWN.

### STEP 6 - ENDCAP

HOOK OUTSIDE FACE OF ENDCAP OVER THE ANCHOR CLIPS AND ROTATE INTO PLACE. ENGAGE REAR LEG ONTO ANCHOR CLIPS BY PRESSING DOWNWARD UNTIL SNAP LOCK OCCURS.

### ANCHOR CLIP FASTENING-DETAIL A



**ROOFING SYSTEMS**

P: 800-621-ROOF

DATE: 02/25/09

DRN BY: JJC

CKD BY: SAK

SHT.# 1 OF 2

DWG# 12111-4058

D

# DOW COPING

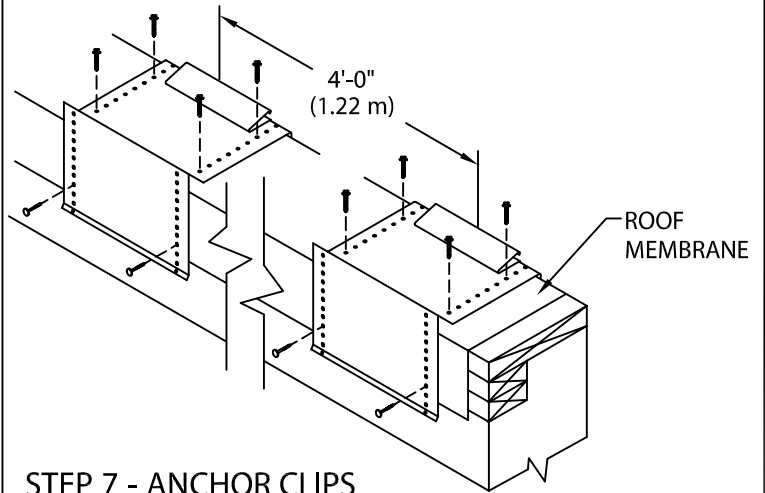
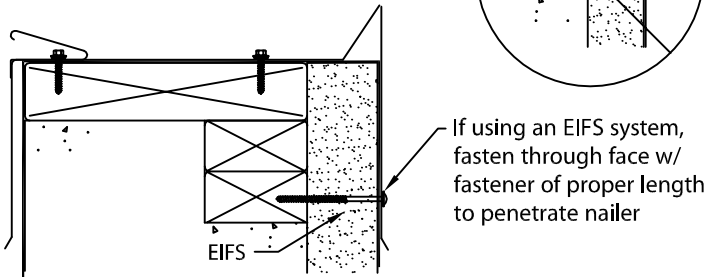
OVER 6" TO 12" FACE HEIGHT TAPERED VERSION - 4'-0" O.C.

## INSTALLATION INSTRUCTIONS

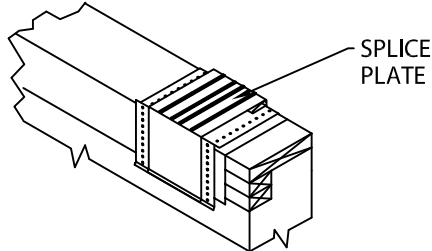
### INSTALLATION NOTES:

1) Installing contractor shall check as-built conditions, including nailer attachment, and verify the manufacturer's coping details for accuracy to fit the wall assembly prior to fabrication.

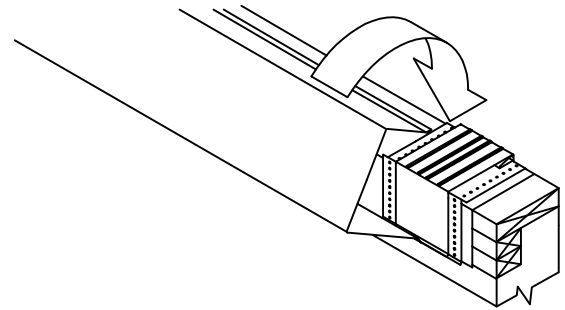
2) Fasteners must be corrosion resistant and rated for a minimum 250# pullout force for the substrate that is being used.



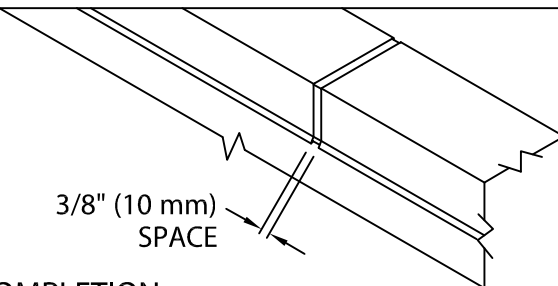
**STEP 7 - ANCHOR CLIPS**  
LOCATE AND FASTEN GALVANIZED ANCHOR CLIPS TO WALL AT 4'-0" (1.22 m) CENTERS WITH PROVIDED FASTENERS (SEE DETAIL A).



**STEP 8 - SPLICE PLATES**  
PLACE SPLICE PLATE ONTO ANCHOR CLIPS AT SPLICE JOINTS, 12'-0" (3.65 m) O.C.  
NOTE: REMOVE RELEASE PAPER FROM SEALANT STRIPS.

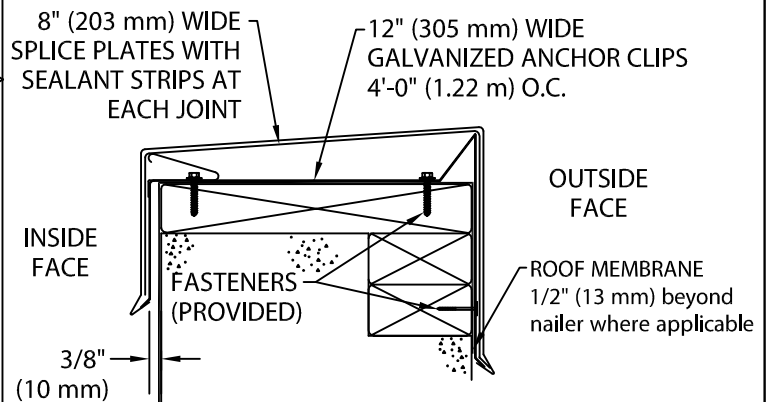


**STEP 9 - COPING**  
HOOK OUTSIDE FACE OF COPING OVER THE ANCHOR CLIPS AND ROTATE INTO PLACE. ENGAGE REAR LEG ONTO ANCHOR CLIPS BY PRESSING DOWNWARD UNTIL SNAP LOCK OCCURS.



**STEP 10 - COMPLETION**  
CONTINUE INSTALLING COPING WITH A 3/8" (10 mm) SPACE AT SPLICE JOINTS TO ALLOW FOR THERMAL EXPANSION. FIELD CUT WHERE NECESSARY USING FINE TOOTH HACKSAW OR SNIPS.  
NOTE: REMOVE PROTECTIVE FILM IMMEDIATELY.

### TYPICAL COPING INSTALLATION



**ROOFING SYSTEMS**

P: 800-621-ROOF

DATE: 02/25/09

DRN BY: JJC

CKD BY: SAK

SHT.# 2 OF 2

DWG# 12111-4058

**D**