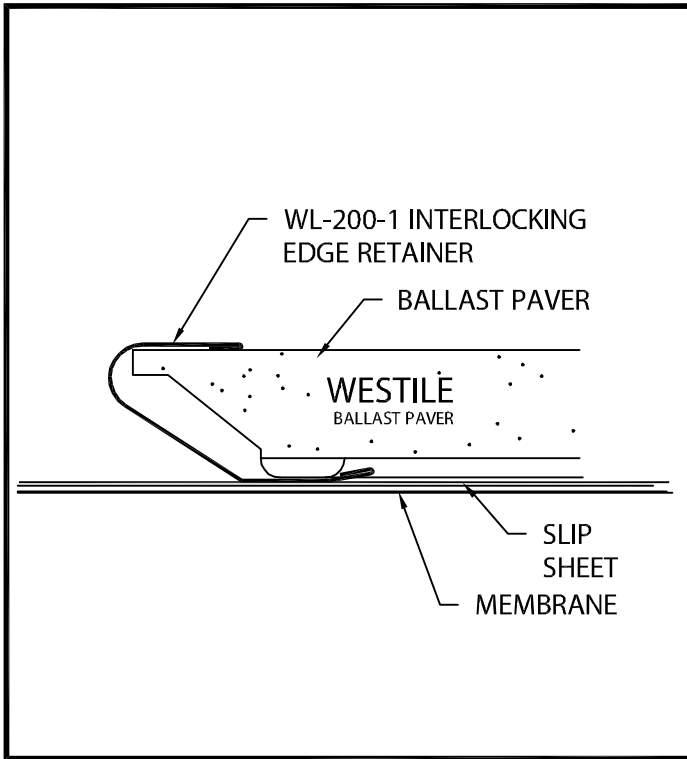


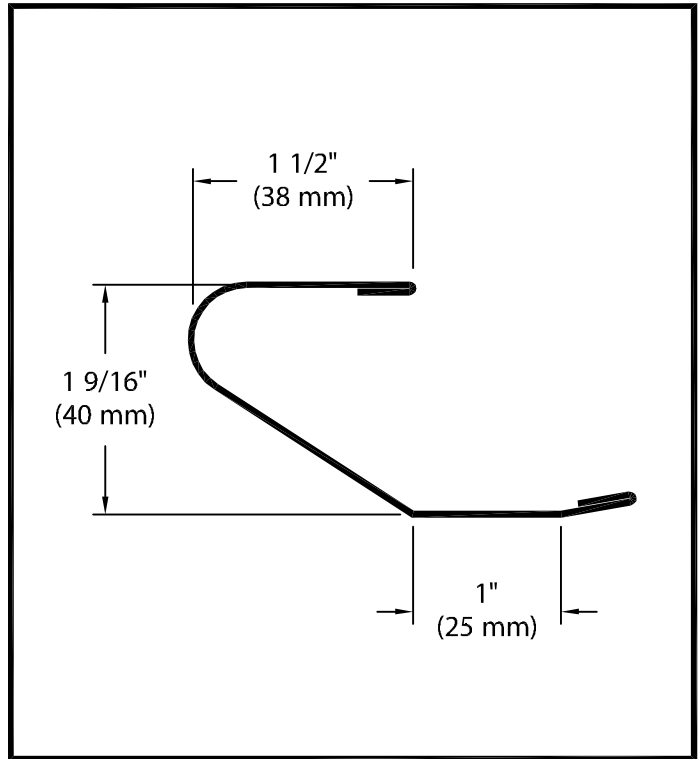
WL-200-1 INTERLOCKING EDGE RETAINER

WESTILE BALLAST PAVER VERSION

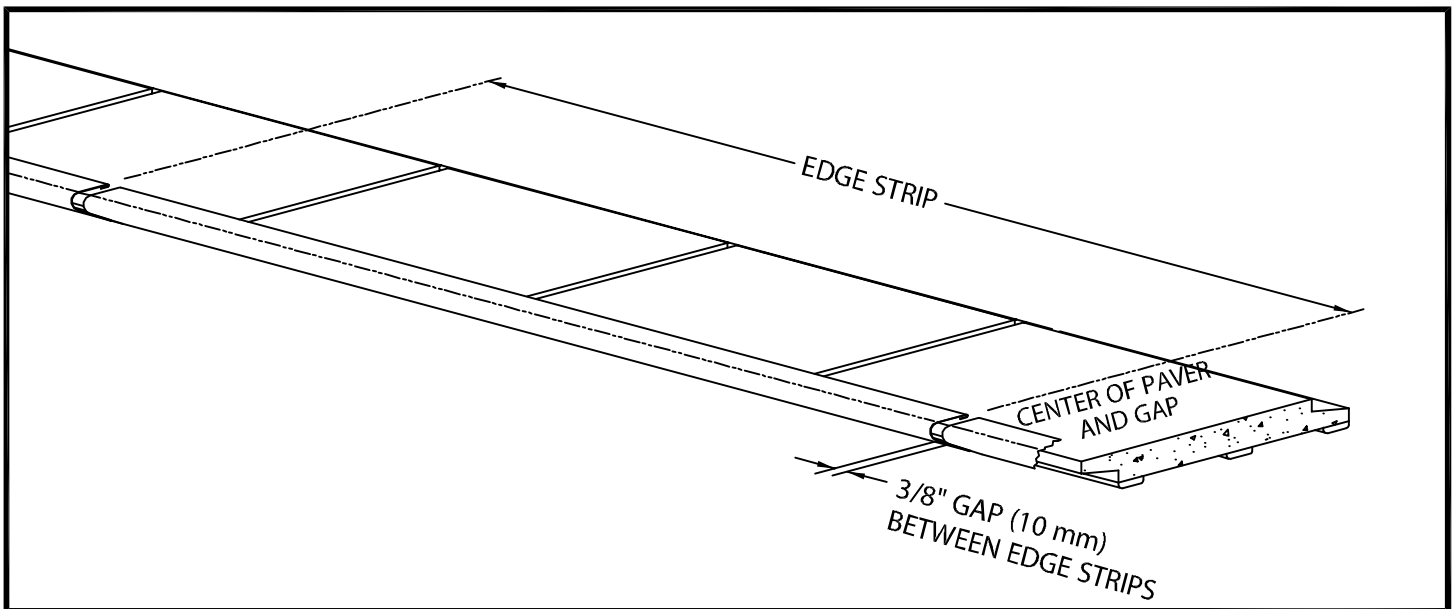
INSTALLATION INSTRUCTIONS



TYPICAL INSTALLATION



DIMENSIONS FOR WL-200-1



TYPICAL INSTALLATION

NOTE: The edge strip shall be installed so that there is a 3/8" (10mm) gap in the middle of a WESTILE paver unit.