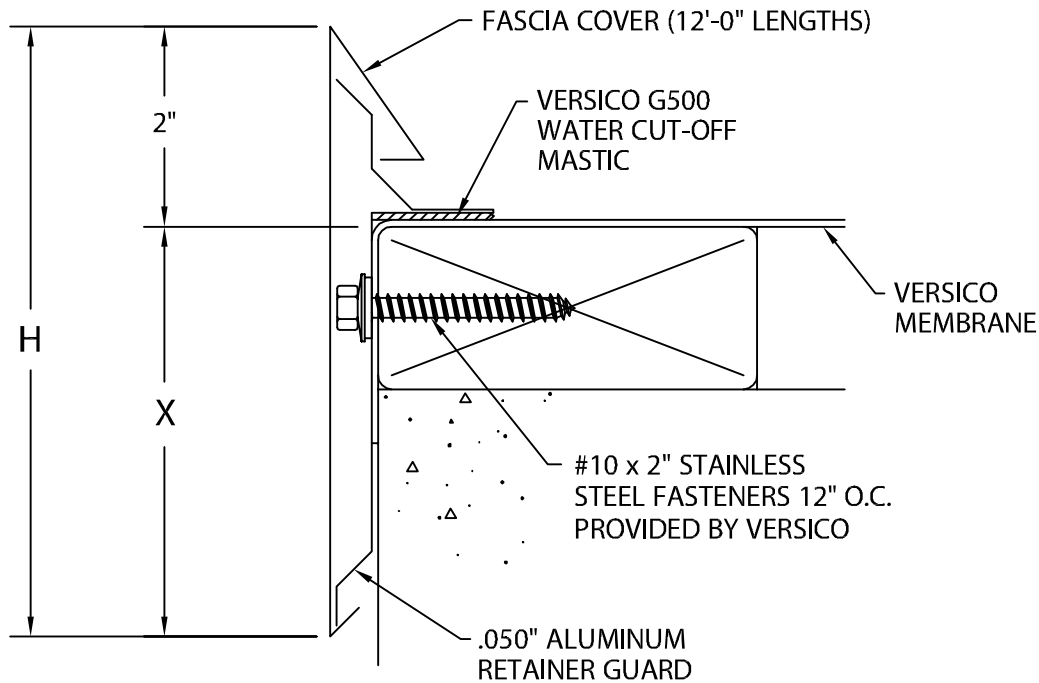




VERSITRIM FASCIA SYSTEM

STONE BALLAST SINGLE-PLY VERSION



Fascia is to be installed per Specifications and Versico's Installation Instructions Dwg. # 18110-1992

VERSITRIM FASCIA SYSTEM DIMENSIONS

PRODUCT ID. NO.	H DIM	X DIM	NAILER COVERAGE
<input type="checkbox"/> VTB-45	4 1/2" (114 mm)	2 1/2" (64 mm)	1 NAILER
<input type="checkbox"/> VTB-60	6" (152 mm)	4" (102 mm)	2 NAILERS
<input type="checkbox"/> VTB-75	7 1/2" (191 mm)	5 1/2" (140 mm)	3 NAILERS

MATERIAL:

24 Ga. Galv. Steel
 .040" Aluminum
 OTHER _____

Color: _____ Finish: _____

Fabrication will proceed only after receipt of signed print approval.

Print Approval:

Architect and/or contractor shall verify all dimensions, sizes and quantities. All products to be installed in strict accordance with with Versico, Inc's. printed instructions.

Approved by: _____

Date: _____

QUANTITIES:

_____ Lineal Feet (12'-0" Lengths)
 _____ Outside Miter(s) @ 90°
 _____ Inside Miter(s) @ 90°
 _____ Overflow Scupper Style ___A___B
 _____ Spillout Scupper Style ___A___B
 _____ Downspout Scupper Style ___A___B
 (____X____) Size A: Tapered 1 1/2" Drop
 B: Flat

FOR NON-90 MITERS SEE PRINT APPROVAL #18010-2039

PROJECT:

ARCHITECT:

ROOFING CONTRACTOR:

REPRESENTATIVE/DISTRIBUTOR:

Customer Service
800-558-2162
(Metal-Era)



DATE: 03/04/17

DRN BY: JJC

CKD BY: SAK

SHT.# ___ OF ___

DWG# 18010-1994

C