

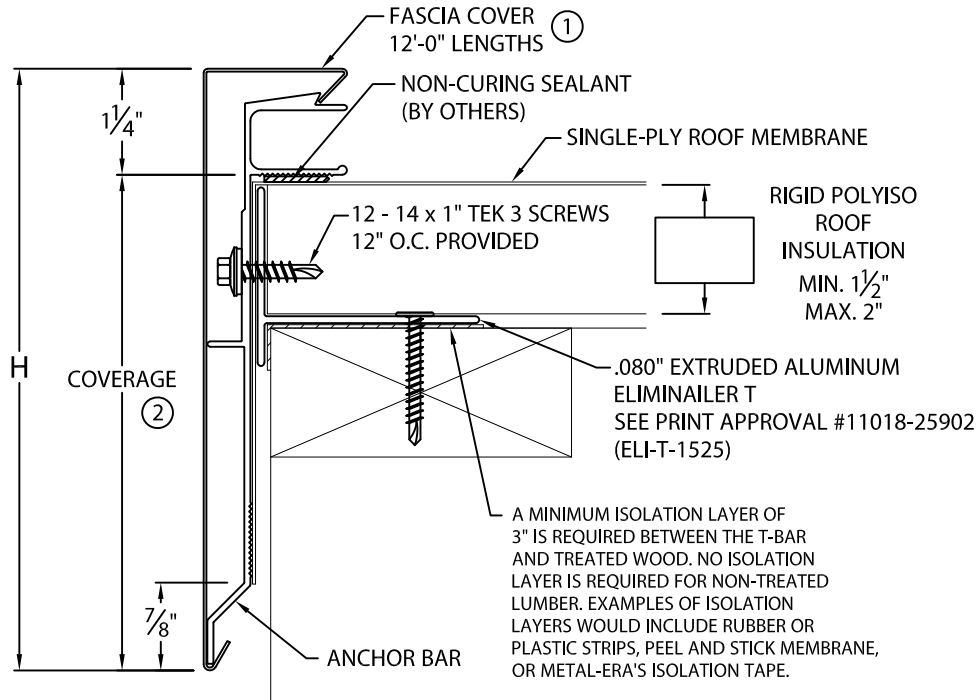


# ANCHOR-TITE HG FOR USE WITH ELIMINAILER®-T

## 1.5" ELIMINAILER VERSION

## FOR USE WITH WOOD NAILER

U.S. PATENT # 9,878,023 B1



### NOTES:

- ① FASCIA COVER PROVIDED WITH 3½" WIDE SPLICE PLATES.
- ② TYPICALLY COVERAGE SHOULD EXTEND A MIN. OF 1½" BELOW WOOD BLOCKING IF APPLICABLE.
- ③ NOT AVAILABLE IN 24 GA. GALV. STEEL OR .040" ALUMINUM.

### ANCHOR-TITE HG DIMENSIONS

PRODUCT ID. NO.	H DIM	COVERAGE
<input type="checkbox"/> T-HG-AF-70	7"	5¾"
<input type="checkbox"/> T-HG-AF-85	8½"	7¼"
<input type="checkbox"/> T-HG-AF-100 ③	10"	8¾"

Fabrication will proceed only after receipt of signed print approval.

### Print Approval:

Architect and/or contractor shall verify all dimensions, sizes and quantities. All products to be installed in strict accordance with Metal-Era's printed instructions.

Approved by: \_\_\_\_\_

Date: \_\_\_\_\_

### MATERIAL:

\_\_\_\_ 24 GA. GALVANIZED STEEL      COLOR: \_\_\_\_\_

\_\_\_\_ 22 GA. GALVANIZED STEEL      FINISH: \_\_\_\_\_

\_\_\_\_ .040" ALUMINUM

\_\_\_\_ .050" ALUMINUM

\_\_\_\_ .063" ALUMINUM

\_\_\_\_ OTHER \_\_\_\_\_

### QUANTITIES:

\_\_\_\_\_ LINEAL FEET 12'-0" LENGTHS

\_\_\_\_\_ OUTSIDE MITER(S) @ 90°

\_\_\_\_\_ INSIDE MITER(S) @ 90°

\_\_\_\_\_ OVERFLOW SCUPPER(S)    STYLE \_\_\_\_A\_\_\_\_B

\_\_\_\_\_ SPILLOUT SCUPPER(S)    STYLE \_\_\_\_A\_\_\_\_B

\_\_\_\_\_ DOWNSPOUT(S)    STYLE \_\_\_\_A\_\_\_\_B (\_\_\_\_x\_\_\_\_) DOWNSPOUT SIZE

A: TAPERED 1 1/2" DROP    B: FLAT

FOR NON-90 MITERS SEE PRINT APPROVAL #11010-1103

PROJECT:

ARCHITECT:

ROOFING CONTRACTOR:

REPRESENTATIVE/DISTRIBUTOR:

Corporate Offices, Manufacturing  
1600 Airport Road; Waukesha, WI 53188  
Phone: 800-558-2162  
Fax: 800-373-9156  
www.metalera.com



DATE: 03/20/18

DRN BY: JJC

CKD BY: SAK

SHT.# \_\_\_\_ OF \_\_\_\_

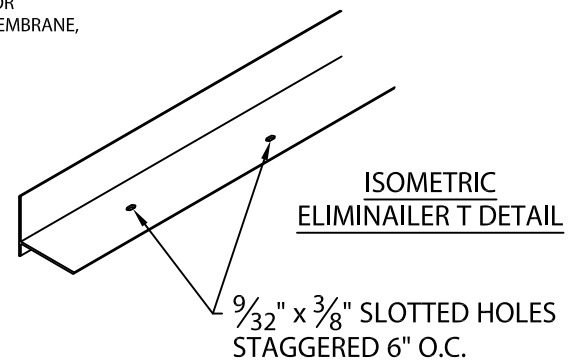
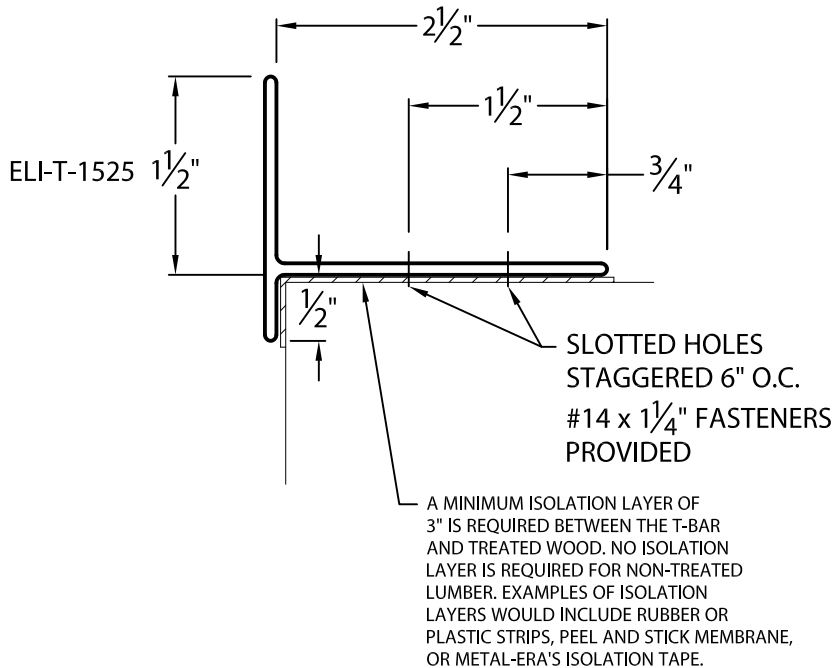
DWG#11010-26044

A

# ELIMINAILER®-T

FOR USE WITH EXISTING WOOD NAILER, 1.5" VERSION

U.S. PATENT # 9,878,023 B1



Fabrication will proceed only after receipt of signed print approval.

## Print Approval:

Architect and/or contractor shall verify all dimensions, sizes and quantities. All products to be installed in strict accordance with Metal-Era's printed instructions.

Approved by: \_\_\_\_\_

Date: \_\_\_\_\_

### MATERIAL:

.080" EXTRUDED ALUMINUM

### QUANTITIES:

\_\_\_\_\_ LINEAL FEET 12'-0" LENGTHS

\_\_\_\_\_ ROLLS ISOLATION TAPE 3" WIDE (180 FT PER ROLL)

PROJECT:

ARCHITECT:

ROOFING CONTRACTOR:

REPRESENTATIVE/DISTRIBUTOR:

Corporate Offices, Manufacturing  
1600 Airport Road; Waukesha, WI 53188  
Phone: 800-558-2162  
Fax: 800-373-9156  
www.metalera.com



DATE: 03/20/18

DRN BY: JJC

CKD BY: SAK

SHT.# \_\_\_\_ OF \_\_\_\_

DWG# 11018-25902

A