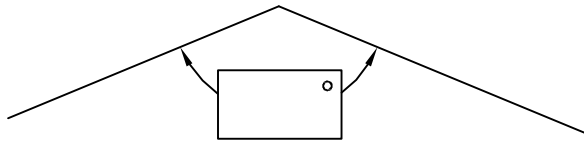


NON 90° GUTTER MITERS

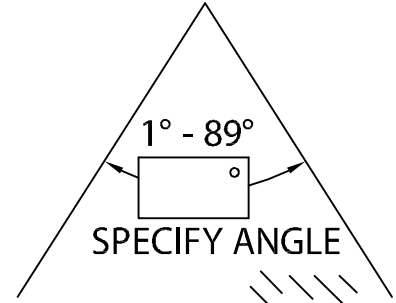
OUTSIDE MITER - OBTUSE



SPECIFY ANGLE 91° - 179°

- Standard Leg Lengths
 Custom Leg Lengths _____ Qty _____

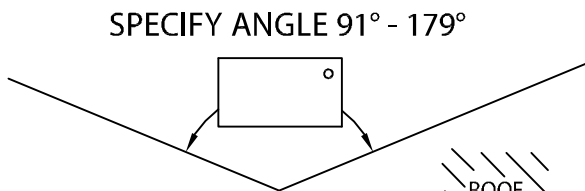
OUTSIDE MITER - ACUTE



SPECIFY ANGLE

- Standard Leg Lengths
 Custom Leg Lengths _____ Qty _____

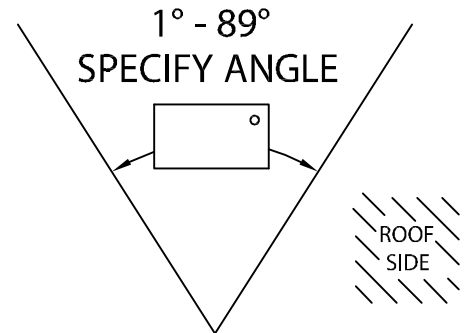
INSIDE MITER - OBTUSE



SPECIFY ANGLE 91° - 179°

- Standard Leg Lengths
 Custom Leg Lengths _____ Qty _____

INSIDE MITER - ACUTE



SPECIFY ANGLE

- Standard Leg Lengths
 Custom Leg Lengths _____ Qty _____

Fabrication will proceed only after receipt of signed print approval.

Print Approval:

Architect and/or contractor shall verify all dimensions, sizes and quantities. All products to be installed in strict accordance with Metal-Era's printed instructions.

Approved by: _____

Date: _____

MATERIAL:

- ___ 24 Ga. (.65 mm) Steel
 ___ .040" (1.01 mm) Alum. Color: _____
 ___ .050" (1.27 mm) Alum.
 ___ .063" (1.60 mm) Alum. Finish: _____
 ___ Other _____

PROJECT:

ARCHITECT:

ROOFING CONTRACTOR:

REPRESENTATIVE/DISTRIBUTOR:

Corporate Offices, Manufacturing
 1600 Airport Road; Waukesha, WI 53188
 Phone: 800-558-2162
 Fax: 800-373-9156
 www.metalera.com



DATE: 01/21/16

DRN BY: JJC

CKD BY: SAK

SHT.# _____ OF _____

DWG# 11012-10010

B