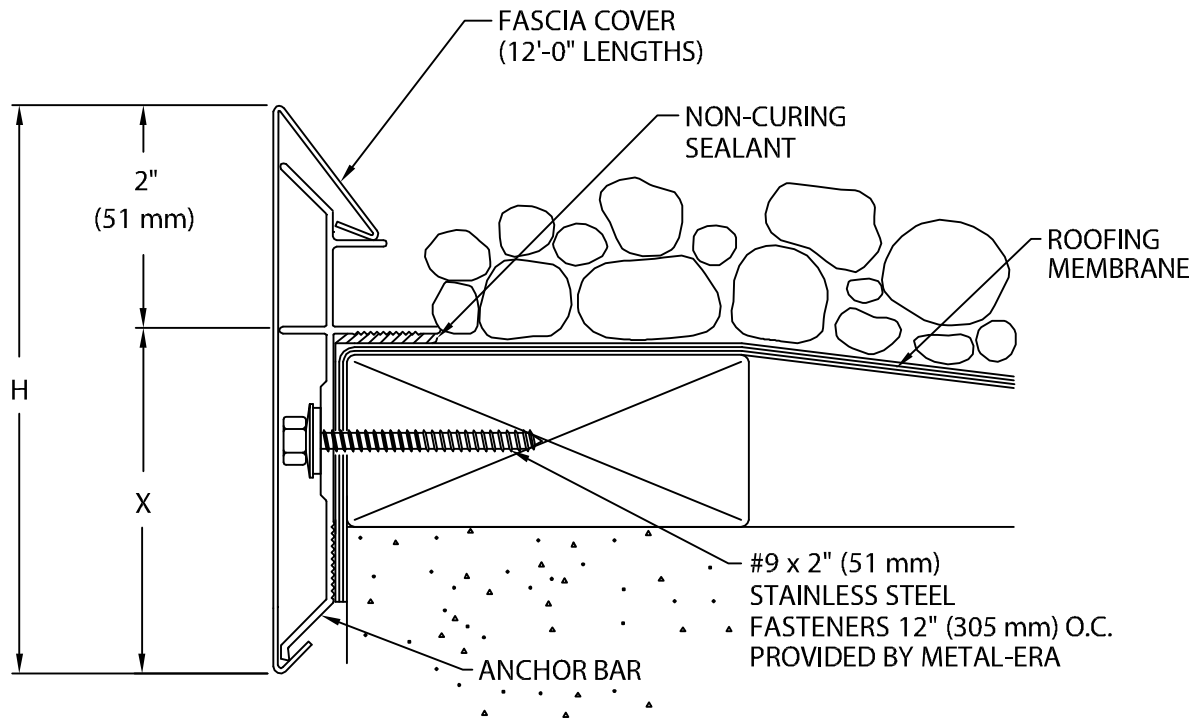




# ANCHOR-TITE STANDARD FASCIA

STONE BALLAST SINGLE-PLY VERSION

ANSI/SPRI ES-1 DESIGN PRESSURE OF 290 psf



Fascia is to be installed per Specifications and Metal-Era's Installation Instructions Dwg. #11110-1122.

## ANCHOR-TITE STANDARD FASCIA DIMENSIONS

PRODUCT ID. NO.	H DIM	X DIM	NAILER COVERAGE
<input type="checkbox"/> AFB-50	5" (127 mm)	3" (76 mm)	1 NAILER
<input type="checkbox"/> AFB-65	6 1/2" (165 mm)	4 1/2" (114 mm)	2 NAILERS
<input type="checkbox"/> AFB-80	8" (191 mm)	6" (152 mm)	3 NAILERS

Fabrication will proceed only after receipt of signed print approval.

## Print Approval:

Architect and/or contractor shall verify all dimensions, sizes and quantities. All products to be installed in strict accordance with Metal-Era's printed instructions.

Approved by: \_\_\_\_\_

Date: \_\_\_\_\_

## MATERIAL:

\_\_\_\_ 24 Ga. (.65 mm) Galv. Steel  
 \_\_\_\_ .040" (1.01 mm) Aluminum  
 \_\_\_\_ OTHER \_\_\_\_\_

Color: \_\_\_\_\_

Finish: \_\_\_\_\_

## QUANTITIES:

\_\_\_\_ Lineal Feet 12'-0" (3.65 m) Lengths  
 \_\_\_\_ Outside Miters @ (\_\_\_\_°)  
 \_\_\_\_ Inside Miters @ (\_\_\_\_°)  
 \_\_\_\_ Overflow Scupper Style \_\_\_\_A\_\_\_\_B  
 \_\_\_\_ Spillout Scupper Style \_\_\_\_A\_\_\_\_B  
 \_\_\_\_ Downspout Scupper Style \_\_\_\_A\_\_\_\_B  
 (\_\_\_\_X\_\_\_\_) Size A: Tapered 1 1/2" Drop  
 B: Flat

PROJECT:

ARCHITECT:

ROOFING CONTRACTOR:

REPRESENTATIVE/DISTRIBUTOR:

Corporate Offices, Manufacturing  
 1600 Airport Road; Waukesha, WI 53188  
 Phone: 800-558-2162  
 Fax: 800-373-9156  
 www.metalera.com



DATE: 11/23/10

DRN BY: JJC

CKD BY: SAK

SHT.# \_\_\_\_ OF \_\_\_\_

DWG# 11010-1121

C