

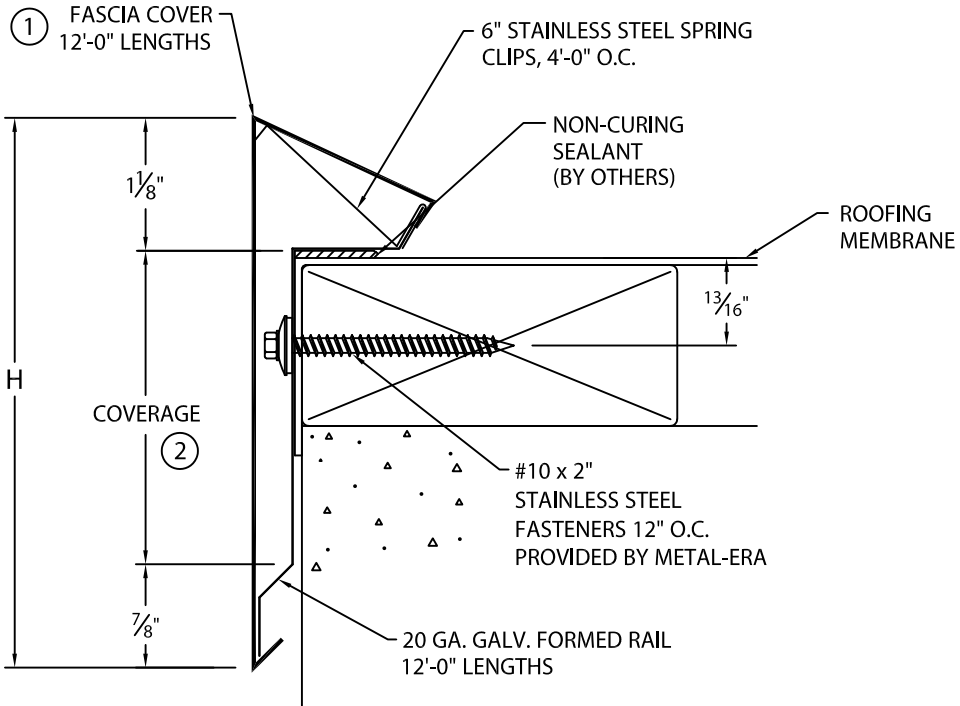


CUSTOM ONE EDGE

FULLY ADHERED OR MECHANICALLY ATTACHED SINGLE-PLY VERSION

ANSI/SPRI ES-1 DESIGN PRESSURE OF 155 psf 24 GA., 22 GA. AND .040" COVER MATERIAL WITH SPLICE PLATES

U.S. Patent # 5,927,023



- EXPRESS 1 DAY LEAD TIME AVAILABLE FOR 24 GAUGE STEEL AND 0.040 ALUMINUM IN THE FOLLOWING COLORS: (WHEN MITERS NOT ORDERED)
- ALMOND
 - BONE WHITE
 - CITYSCAPE
 - CLEAR ANODIZED
 - DARK BRONZE
 - MILL FINISH
 - ROMAN BRONZE
 - SANDSTONE
 - SIERRA TAN
 - SLATE GRAY
 - STONE WHITE

NOTES:

- ① FASCIA COVER PROVIDED WITH 3 1/2" WIDE SPLICE PLATES
- ② TYPICALLY COVERAGE SHOULD EXTEND A MIN. OF 1" BELOW WOOD BLOCKING IF APPLICABLE.

MATERIAL:

- ___ 24 Ga. Galvanized Steel
- ___ 22 Ga. Galvanized Steel
- ___ .040" Aluminum
- ___ Other _____

Color: _____

Finish: _____

QUANTITIES:

_____ Lineal Feet 12'-0" Lengths

_____ Outside Miters (Cover Only) @ 90°

_____ Inside Miters (Cover Only) @ 90°

For Non-90° Miters, See Print Approval #11010-1103

FASCIA DIMENSIONS

PRODUCT ID. NO.	H DIM	COVERAGE
<input type="checkbox"/> ESE-S40	4"	2"
<input type="checkbox"/> ESE-S50	5"	3"
<input type="checkbox"/> ESE-S65	6 1/2"	4 1/2"
<input type="checkbox"/> ESE-S80	8"	6"

Fabrication will proceed only after receipt of signed print approval.

Print Approval:

Architect and/or contractor shall verify all dimensions, sizes and quantities. All products to be installed in strict accordance with Metal-Era's printed instructions.

Approved by: _____

Date: _____

PROJECT:

ARCHITECT:

ROOFING CONTRACTOR:

REPRESENTATIVE/DISTRIBUTOR:

Corporate Offices, Manufacturing
1600 Airport Road; Waukesha, WI 53188
Phone: 800-558-2162
Fax: 800-373-9156
www.metalera.com



DATE: 11/06/18

DRN BY: JJC

CKD BY: SAK

SHT.# ___ OF ___

DWG# 24310-19593

H