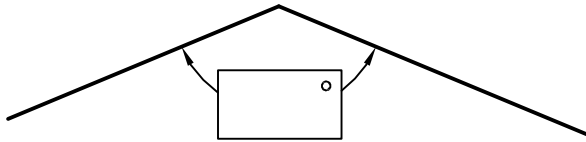


# NON 90° FASCIA MITERS

## OUTSIDE MITER - OBTUSE



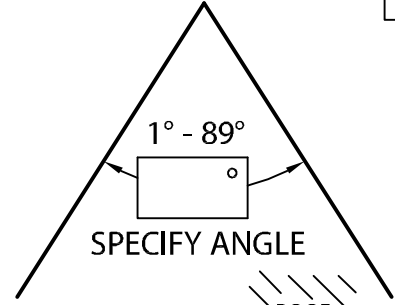
SPECIFY ANGLE 91° - 179°



- STANDARD LEG LENGTHS  
 CUSTOM LEG LENGTHS \_\_\_\_\_ QTY \_\_\_\_\_

## OUTSIDE MITER - ACUTE

INTERNAL USE



1° - 89°

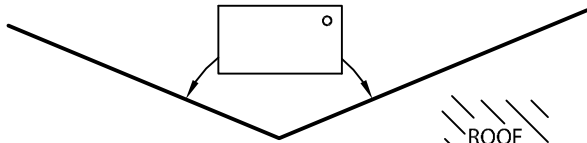
SPECIFY ANGLE



- STANDARD LEG LENGTHS  
 CUSTOM LEG LENGTHS \_\_\_\_\_ QTY \_\_\_\_\_

## INSIDE MITER - OBTUSE

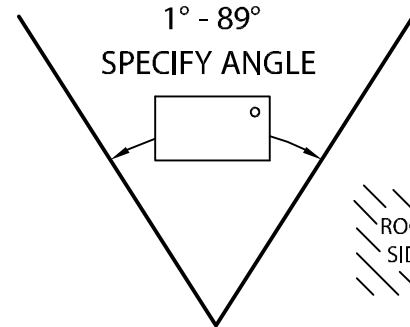
SPECIFY ANGLE 91° - 179°



- STANDARD LEG LENGTHS  
 CUSTOM LEG LENGTHS \_\_\_\_\_ QTY \_\_\_\_\_

## INSIDE MITER - ACUTE

INTERNAL USE



1° - 89°

SPECIFY ANGLE



- STANDARD LEG LENGTHS  
 CUSTOM LEG LENGTHS \_\_\_\_\_ QTY \_\_\_\_\_

Fabrication will proceed only after receipt of signed print approval.

## Print Approval:

Architect and/or contractor shall verify all dimensions, sizes and quantities. All products to be installed in strict accordance with Malarkey's printed instructions.

Approved by: \_\_\_\_\_

Date: \_\_\_\_\_

## MATERIAL:

- \_\_\_ 24 GA. GALVANIZED STEEL  
 \_\_\_ .040" ALUMINUM COLOR: \_\_\_\_\_  
 \_\_\_ .050" ALUMINUM FINISH: \_\_\_\_\_  
 \_\_\_ .063" ALUMINUM  
 \_\_\_ OTHER \_\_\_\_\_

PROJECT:

ARCHITECT:

ROOFING CONTRACTOR:

REPRESENTATIVE/DISTRIBUTOR:



PHONE: 800-794-2701

DATE: 10/14/16

DRN BY: JJC

CKD BY: SAK

SHT.# \_\_\_\_\_ OF \_\_\_\_\_

DWG# 47010-21232

**B**

RIGHT ANGLES ARE 90°  
ACUTE ANGLES RANGE FROM 1° - 89°  
OBTUSE ANGLES RANGE FROM 91° - 179°

