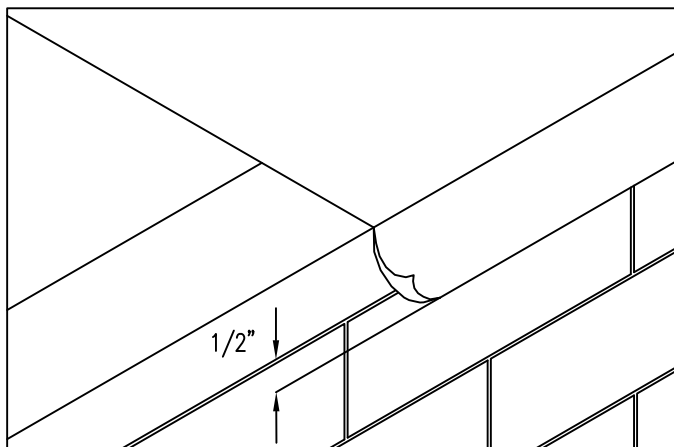




ANCHOR-TITE FASCIA

FOR LARGER FACE HEIGHTS IN .050" & .063" ALUMINUM

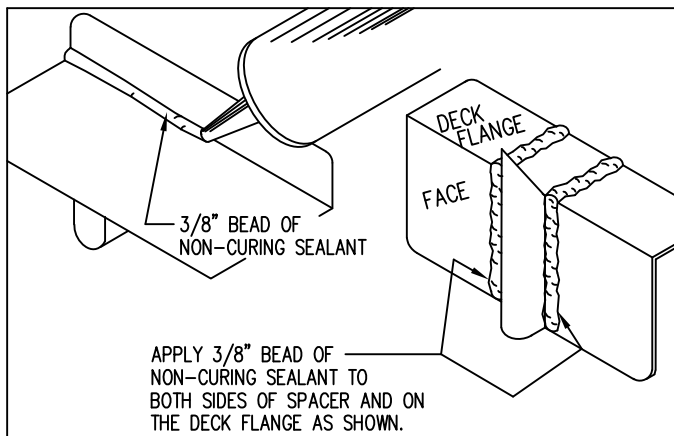
Installation Instructions for use with Fully Adhered or Mechanically Attached Single-ply Roof Systems



1. Roof Membrane

Position membrane over the roof edge and down outside face of wall, covering treated wood nailer(s) completely. Allow 1/2" excess membrane.

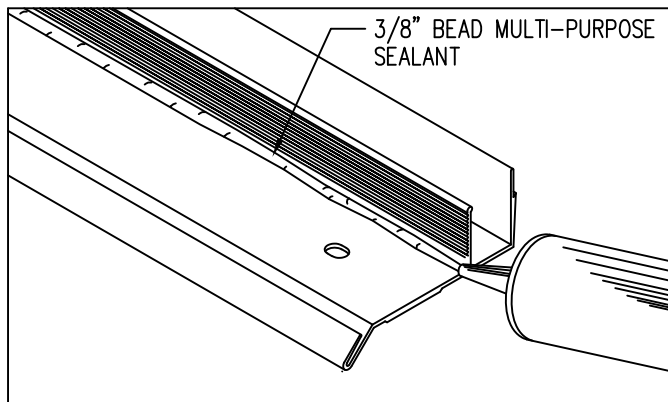
IMPORTANT! Outside edge of treated wood nailer(s) (min. 2" X 4") shall be aligned flush with or extend slightly past outermost edge of wall.



3. Anchor Bar Splice Plates

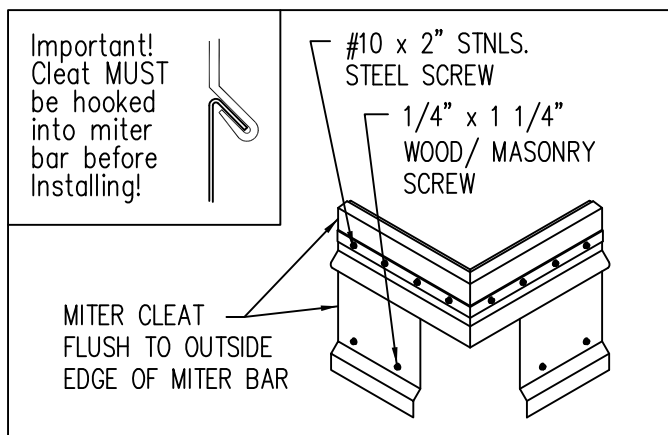
Apply multi-purpose sealant to each plate as shown and described in STEP 2.

CAUTION! Installers shall wear protective eye wear to prevent injury. Do not over-drive fasteners, as stripping can occur at high driver torque. Recommended driving tool: 600-800 rpm electric drill equipped with depth-sensing nose-piece to prevent driving and stripout. Do not use impact type tool.



2. Miter & Scupper Anchor Bar (Preparation)

Lay miters and scuppers on deck with outside face down. Be sure aluminum anchor bar is clean and free of dirt or dust. Apply a heavy 3/8" bead of multi-purpose sealant to the right angle intersection of the deck flange and back of anchor bar as shown. Application of sealant is required along the full length of each miter anchor bar.



4. Miter Bar & Miter Cleat Installation

Hook miter cleat pieces to miter bar. Flush ends of miter cleat piece and miter bar. Fold roofing membrane at corners and install miter assembly with one anchor bar splice plate under each end of miter bar, EPDM gasket must be snug to the ends of the bar. Fasten the miter bar using 2" hex head stainless steel fasteners. Fasten miter cleat using 1 1/4" hex head corrosion resistant fasteners. Fasteners and drive bits provided by Sika Sarnafil. Next locate and install spillouts and scuppers with sealant, fasteners and splice plates.



Sika Sarnafil Inc.
(800) 451-2504

www.metalera.com/sikasarnafil

DATE: 03/28/19

DRN BY: ZS

CKD BY: SAK

SHT.# 1 OF 3

DWG# 14110-2836

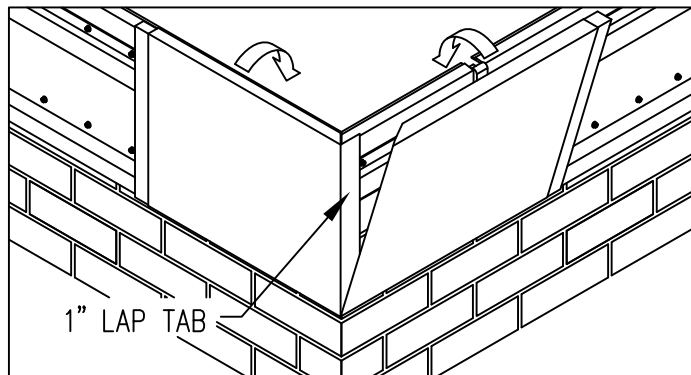
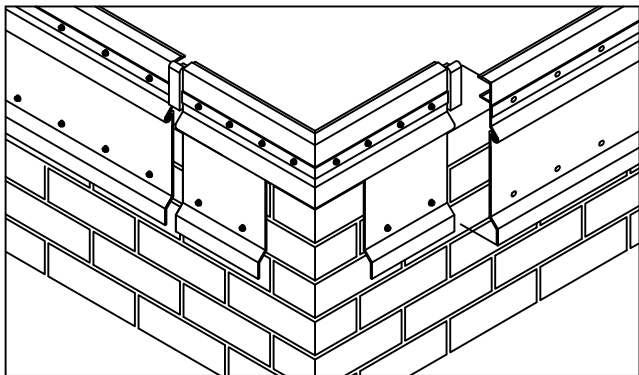
H



ANCHOR-TITE FASCIA

FOR LARGER FACE HEIGHTS IN .050" & .063" ALUMINUM

Installation Instructions for use with Fully Adhered or Mechanically Attached Single-ply Roof Systems

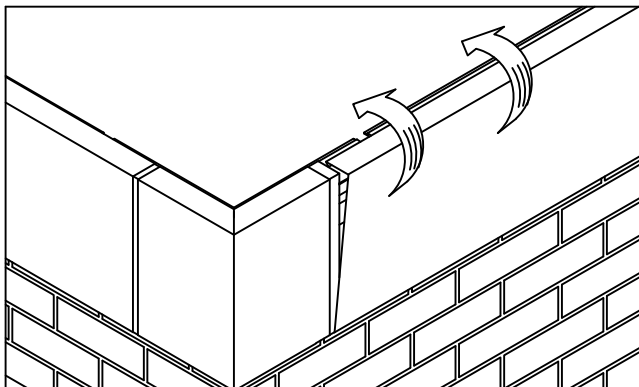


5. Anchor Bar & Cleat Installation

Hook anchor cleat to anchor bar as shown in step 4. Position 12' anchor bar/cleat sections with applied multi-purpose sealant as shown in step 2 overlapping bar splice plate and butting snugly into EPDM gasket. Allow 1/2" space between anchor bars. Install bar splice plate at other end of bar/cleat section. Fasten anchor bar 12" O.C. through slotted holes using provided 2" fasteners. Fasten anchor cleat 24" through slotted holes using provided 1 1/4" fasteners. Field cut sections as necessary.

6. Fascia Miter Covers

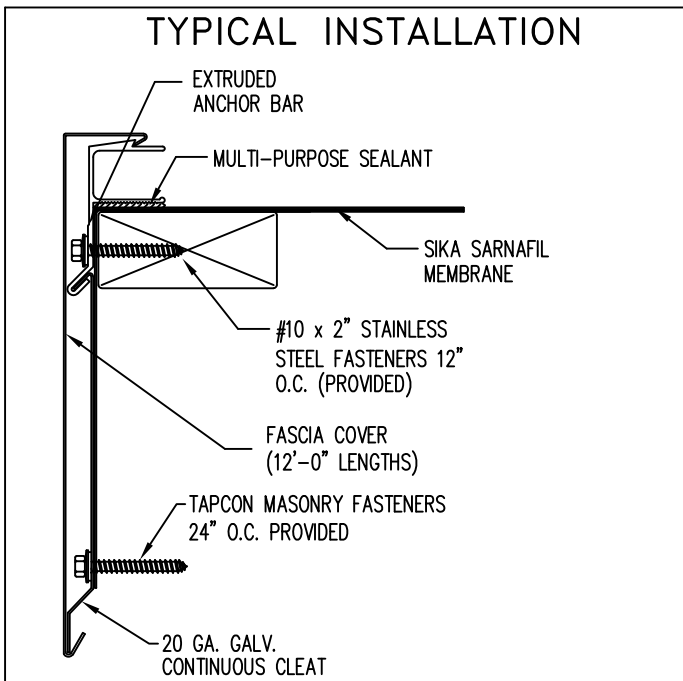
Install miter covers first. Insert one splice plate under each end of the two piece miter cover. Engage cover with 90° tab onto bottom of anchor bar and rotate miter cover up and over anchor bar miter until engaged along entire length of the anchor bar. Repeat steps to install miter cover without the 90° tab.



7. Fascia Covers

Install 12'-0" fascia cover sections. Allow a 3/8" gap between fascia cover sections. Insert one splice plate under far end of each fascia cover section. Install cover by hooking lower edge of cover onto anchor cleat and rotating cover up and over anchor bar until engaged along entire length of cover section. Continue to install cover sections in this manner, field cutting where necessary using a fine tooth hacksaw.

IMPORTANT! Be sure to remove protective plastic film prior to installing each fascia section.



U.S. Patent# 7,748,173 B1



Sika Sarnafil Inc.
(800) 451-2504
www.metalera.com/sikasarnafil

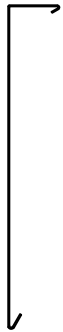
DATE: 03/28/19
DRN BY: ZS
CKD BY: SAK

SHT.# 2 OF 3
DWG# 14110-2836 H

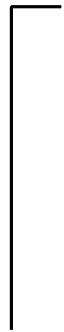


ANCHOR-TITE FASCIA

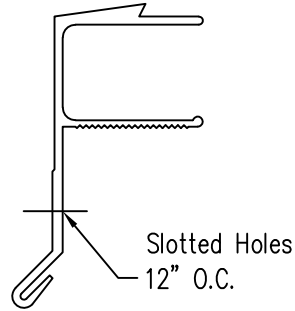
FOR LARGER FACE HEIGHTS IN .050" & .063" ALUMINUM



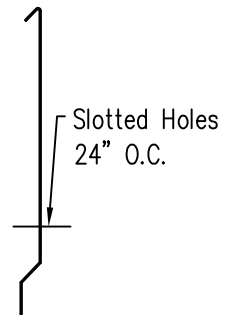
Fascia Cover
12'-0" Lengths



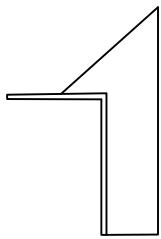
Cover Splice Plate
3 1/2" Wide



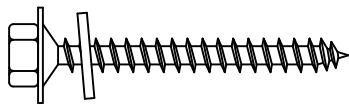
Extruded Anchor Bar
12'-0" Lengths



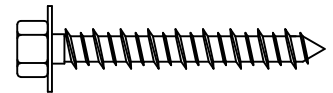
Continuous Anchor Cleat
12'-0" Lengths



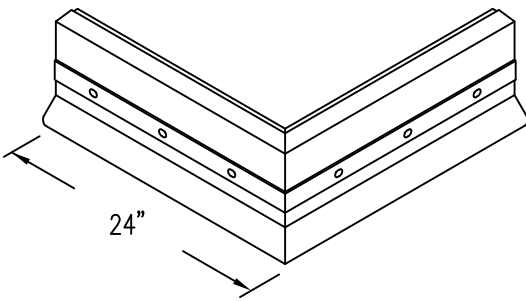
Anchor Bar Splice
3 1/2" Wide w/ 3/4" EPDM Gasket



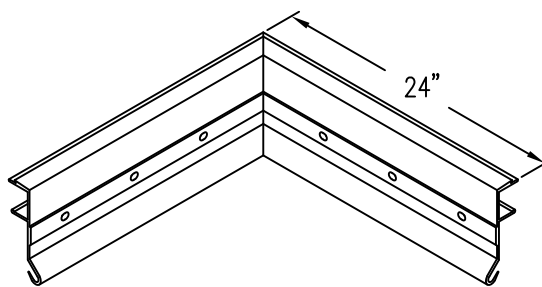
#10 X 2"
Stainless Steel Screw w/ washer
for installing Anchor Bar



1/4" X 1 1/4"
Masonry/Wood Screw w/ washer
for installing Anchor Cleat



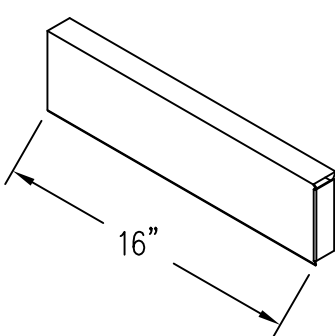
Anchor Bar Miter
Outside



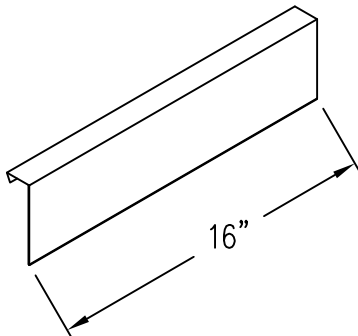
Anchor Bar Miter
Inside



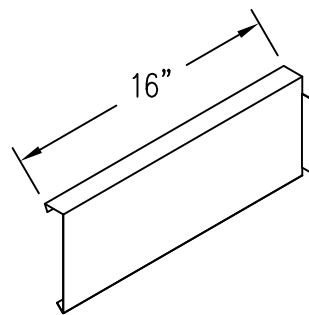
Anchor Cleat for Miters
(2) 14" Long pcs. per miter



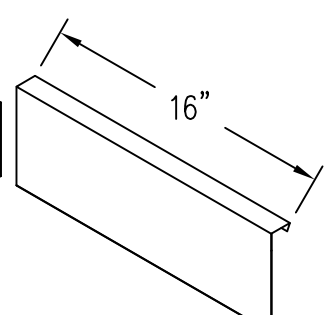
Outside Miter
Cover With Tab



Outside Miter
Cover Without Tab



Inside Miter
Cover With Tab



Inside Miter
Cover Without Tab



Sika Sarnafil Inc.
(800) 451-2504
www.metalera.com/sikasarnafil

DATE: 03/28/19
DRN BY: ZS
CKD BY: SAK

SHT.# 3 OF 3
DWG# 14110-2836 | H