



# ENDURA™ -COPE

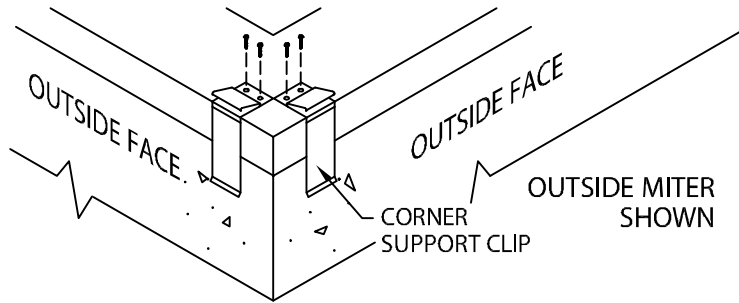
4'-0" O.C.

## INSTALLATION INSTRUCTIONS

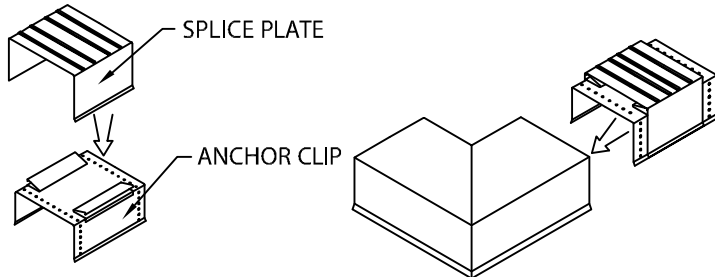
**IMPORTANT:** Prior to installation, read instructions carefully.

**NOTE:** Position roof membrane on top of the wall covering the treated wood nailer(s) or substrate completely. Allow membrane to extend below wood nailer 1"

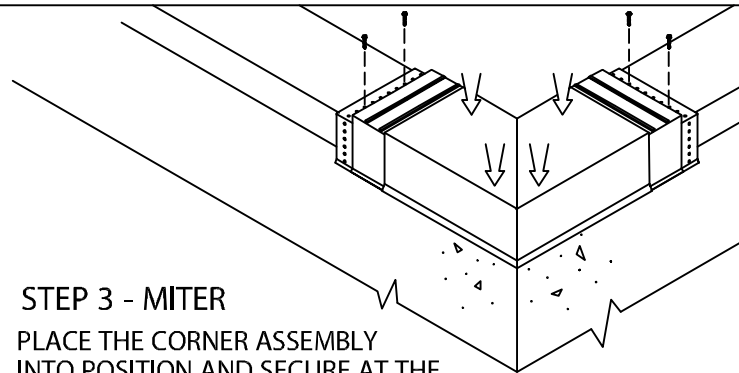
**CAUTION:** INSTALL MITERS FIRST!



**STEP 1 - CORNER SUPPORT CLIPS**  
LOCATE AND FASTEN GALVANIZED CORNER SUPPORT CLIPS TO THE WALL.



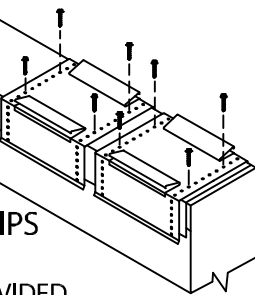
**STEP 2 - MITER SPLICE PLATES & ANCHOR CLIPS**  
POSITION THE SPLICE PLATE IN THE CENTER OF THE ANCHOR CLIP. INSTALL THE SPLICE PLATE AND ANCHOR CLIP ASSEMBLY INTO EACH END OF THE CORNER AS SHOWN



**STEP 3 - MITER**  
PLACE THE CORNER ASSEMBLY INTO POSITION AND SECURE AT THE EXPOSED EDGE OF THE ANCHOR CLIPS AS PER DETAIL A.

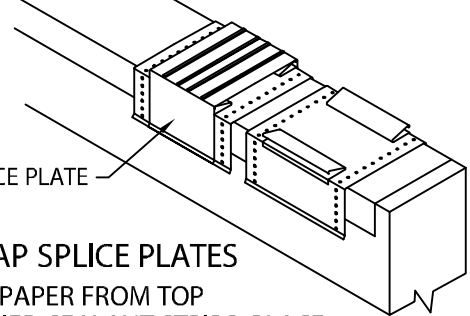
LEFT ENDCAP SHOWN

OUTSIDE FACE



**STEP 4 - ENDCAP ANCHOR CLIPS**  
LOCATE AND FASTEN GALVANIZED ANCHOR CLIPS TO WALL WITH PROVIDED FASTENERS FOR SUBSTRATE USING THE THIRD FULL TOP HOLE FROM THE BEND (SEE DETAIL A)

SPLICE PLATE

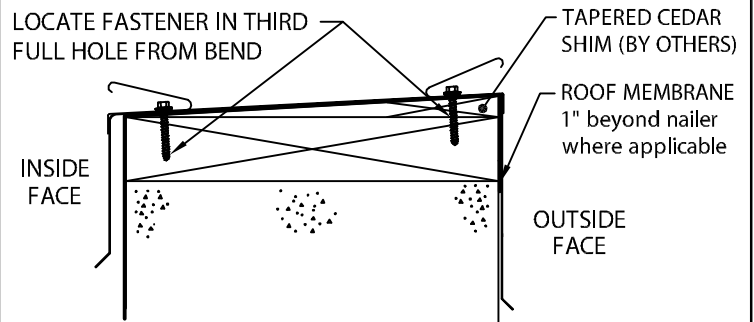


**STEP 5 - ENDCAP SPLICE PLATES**  
REMOVE RELEASE PAPER FROM TOP OF FACTORY APPLIED SEALANT STRIPS. PLACE SPLICE PLATE ONTO SECOND ANCHOR CLIP AS SHOWN.

**STEP 6 - ENDCAP**

HOOK OUTSIDE FACE OF ENDCAP OVER THE ANCHOR CLIPS AND ROTATE INTO PLACE. ENGAGE REAR LEG ONTO ANCHOR CLIPS BY PRESSING DOWNWARD UNTIL SNAP LOCK OCCURS.

### ANCHOR CLIP FASTENING - DETAIL A



PHONE: 800-794-2701

DATE: 02/18/15

DRN BY: JJC

CKD BY: SAK

SHT.# 1 OF 2

DWG# 47111-21244

A



# ENDURA™ -COPE

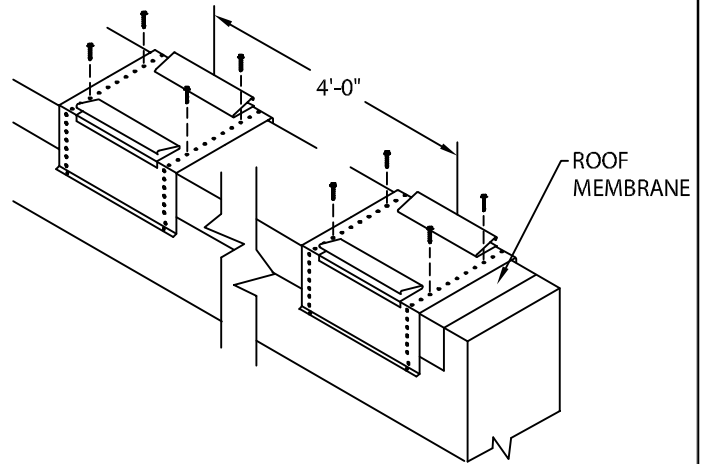
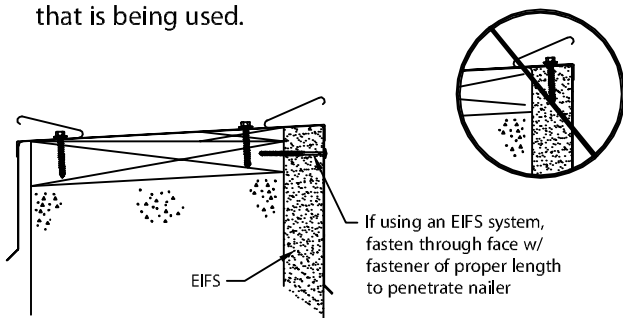
4'-0" O.C.

## INSTALLATION INSTRUCTIONS

### INSTALLATION NOTES:

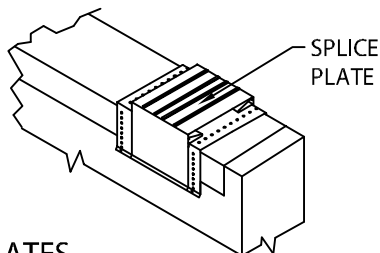
1) Installing contractor shall check as-built conditions, including nailer attachment, and verify the manufacturer's coping details for accuracy to fit the wall assembly prior to fabrication.

2) Fasteners must be corrosion resistant and rated for a minimum 250# pullout force for the substrate that is being used.



### STEP 7 - ANCHOR CLIPS

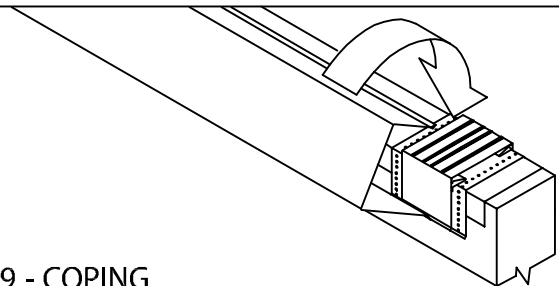
LOCATE AND FASTEN GALVANIZED ANCHOR CLIPS TO WALL AT 4'-0" CENTERS WITH PROVIDED FASTENERS FOR SUBSTRATE USING THE THIRD FULL TOP HOLE FROM THE BEND (SEE DETAIL A)



### STEP 8 - SPLICE PLATES

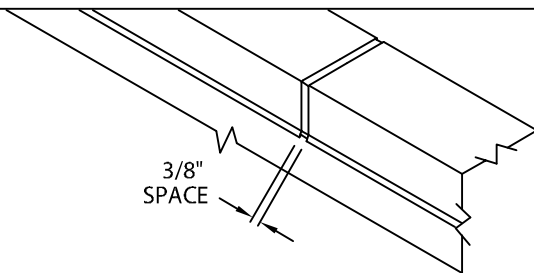
PLACE SPLICE PLATE ONTO ANCHOR CLIPS AT SPLICE JOINTS, 12'-0" O.C.

NOTE: REMOVE RELEASE PAPER FROM SEALANT STRIPS.



### STEP 9 - COPING

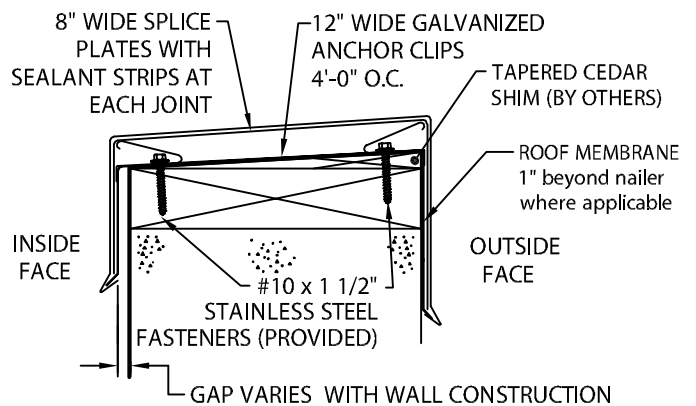
HOOK OUTSIDE FACE OF COPING OVER THE ANCHOR CLIPS AND ROTATE INTO PLACE. ENGAGE REAR LEG ONTO ANCHOR CLIPS BY PRESSING DOWNWARD UNTIL SNAP LOCK OCCURS.



### STEP 10 - COMPLETION

CONTINUE INSTALLING COPING WITH A 3/8" SPACE AT SPLICE JOINTS TO ALLOW FOR THERMAL EXPANSION. FIELD CUT WHERE NECESSARY USING FINE TOOTH HACKSAW OR SNIPS. NOTE: REMOVE PROTECTIVE FILM IMMEDIATELY.

### TYPICAL COPING INSTALLATION



PHONE: 800-794-2701

DATE: 02/18/15

DRN BY: JJC

CKD BY: SAK

SHT.# 2 OF 2

DWG# 47111-21244

A