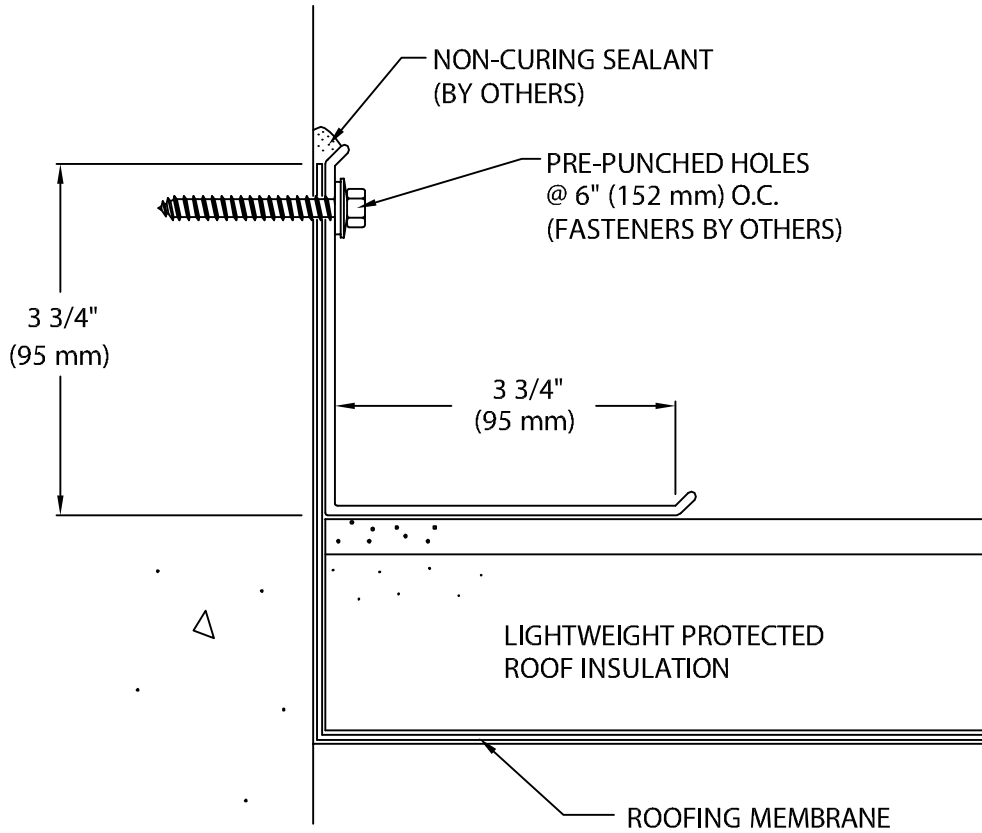


PMR LOCK TYPE I RETAINER BAR

LIGHTWEIGHT PROTECTED MEMBRANE ROOFING VERSION



PMR-102

NOTE: 3 1/2" (89 mm) WIDE CONCEALED SPLICE PLATES PROVIDED.

Fabrication will proceed only after receipt of signed print approval.

Print Approval:

Architect and/or contractor shall verify all dimensions, sizes and quantities. All products to be installed in strict accordance with Metal-Era's printed instructions.

Approved by: _____

Date: _____

MATERIAL:

.100" (2.54 mm) MILL FINISH ALUMINUM

QUANTITIES:

_____ Lineal Feet (12'-0" (3.65 m) Lengths)

_____ Outside Miters @ (_____°)

_____ Inside Miters @ (_____°)

PROJECT:

ARCHITECT:

ROOFING CONTRACTOR:

REPRESENTATIVE/DISTRIBUTOR:

Corporate Offices, Manufacturing
1600 Airport Road; Waukesha, WI 53188
Phone: 800-558-2162
Fax: 800-373-9156
www.metalera.com



DATE: 12/18/12

DRN BY: JJC

CKD BY: SAK

SHT.# ____ OF ____

DWG# 11016-1457

C