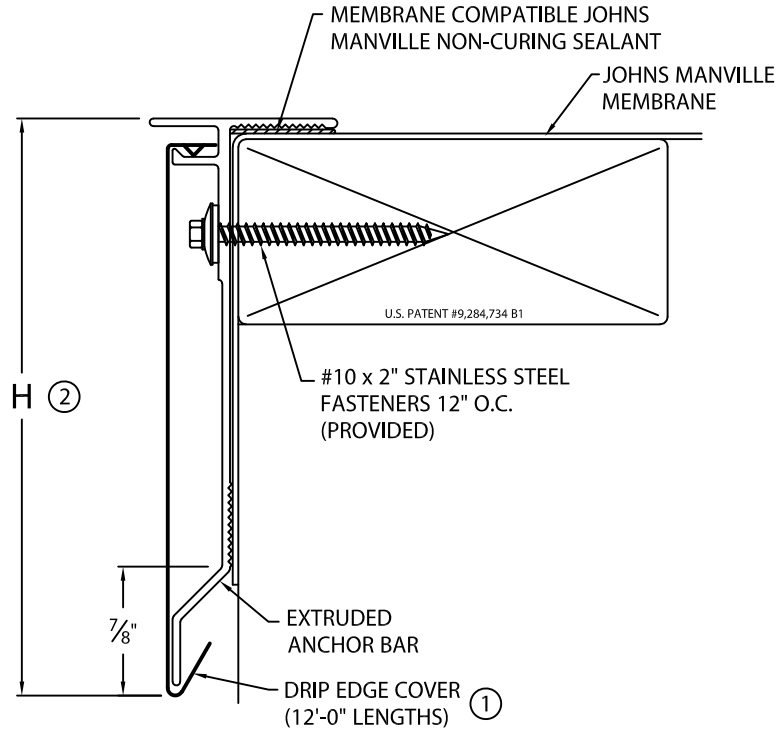




PRESTO-TITE DRIP EDGE

ANSI/SPRI ES-1 TESTED



NOTES:

- ① FASCIA COVER PROVIDED WITH 1" LAP JOINTS.
- ② TYPICALLY COVERAGE SHOULD EXTEND A MIN. OF 1½" BELOW WOOD BLOCKING IF APPLICABLE

PRESTO-TITE DRIP EDGE DIMENSIONS

PRODUCT ID. NO.	H DIM
<input type="checkbox"/> AFDE-30	3"
<input type="checkbox"/> AFDE-45	4½"
<input type="checkbox"/> AFDE-60	6"
<input type="checkbox"/> AFDE-75	7½"

Fabrication will proceed only after receipt of signed print approval.

Print Approval:

Architect and/or contractor shall verify all dimensions, sizes and quantities. All products to be installed in strict accordance Johns Manville's printed instructions.

Approved by: _____

Date: _____

MATERIAL:

- ___ 24 GA. GALVANIZED STEEL
- ___ .040" ALUMINUM
- ___ OTHER _____

COLOR: _____

FINISH: _____

QUANTITIES:

_____ LINEAL FEET 12'-0" LENGTHS

_____ OUTSIDE MITER(S) @ 90°

_____ INSIDE MITER(S) @ 90°

FOR NON-90 MITERS SEE PRINT APPROVAL #16010-2320

PROJECT:

ARCHITECT:

ROOFING CONTRACTOR:

REPRESENTATIVE/DISTRIBUTOR:

51 Lexington Street; Lewiston, ME 04240
 CUSTOMER SERVICE: 800-223-8317 USA
 800-445-1500 Canada
 TECHNICAL SERVICE: 800-445-1500 USA & Canada
 FAX: 207-784-0125
 OTHER AREAS CALL: 207-784-0123



DATE: 09/11/19

DRN BY: JJC

CKD BY: JAI

SHT.# ___ OF ___

DWG# 16010-20919

H