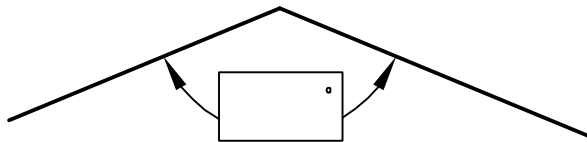


NON 90° FASCIA MITERS

OUTSIDE MITER - OBTUSE

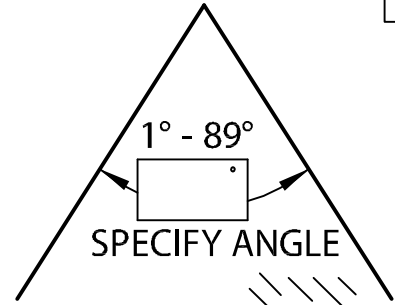


SPECIFY ANGLE 91° - 179°

- Standard Leg Lengths
 Custom Leg Lengths _____ Qty _____

OUTSIDE MITER - ACUTE

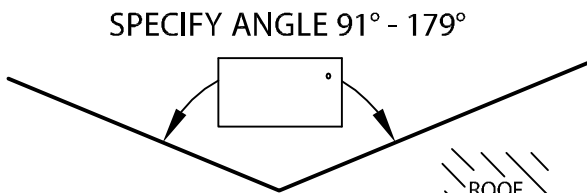
INTERNAL USE



SPECIFY ANGLE

- Standard Leg Lengths
 Custom Leg Lengths _____ Qty _____

INSIDE MITER - OBTUSE

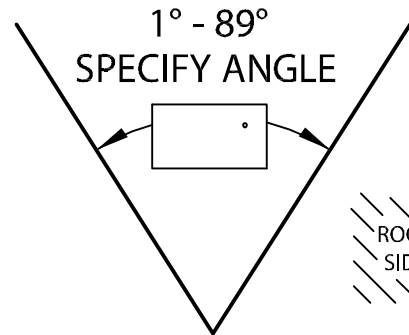


SPECIFY ANGLE 91° - 179°

- Standard Leg Lengths
 Custom Leg Lengths _____ Qty _____

INSIDE MITER - ACUTE

INTERNAL USE



SPECIFY ANGLE

- Standard Leg Lengths
 Custom Leg Lengths _____ Qty _____

Fabrication will proceed only after receipt of signed print approval.

Print Approval:

Architect and/or contractor shall verify all dimensions, sizes and quantities. All products to be installed in strict accordance with Johns Manville's printed instructions.

Approved by: _____

Date: _____

MATERIAL:

___ 24 Ga. (.65 mm) Galv.

___ .040" (1.01 mm) Alum.

___ .050" (1.27 mm) Alum.

___ .063" (1.60 mm) Alum.

___ OTHER _____

Color: _____

Finish: _____

PROJECT:

ARCHITECT:

ROOFING CONTRACTOR:

REPRESENTATIVE/DISTRIBUTOR:

51 Lexington Street; Lewiston, ME 04240

CUSTOMER SERVICE: 800-223-8317 USA

800-445-1500 Canada

TECHNICAL SERVICE: 800-445-1500 USA & Canada

FAX: 207-784-0125

OTHER AREAS CALL: 207-784-0123

JM Johns Manville

DATE: 10/14/16

DRN BY: JJC

CKD BY: SAK

SHT.# ___ OF ___

DWG# 16010-2320

B

RIGHT ANGLES ARE 90°
 ACUTE ANGLES RANGE FROM 1° - 89°
 OBTUSE ANGLES RANGE FROM 91° - 179°

