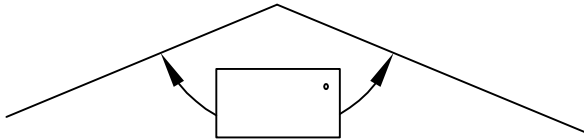


NON 90° FASCIA MITERS

OUTSIDE MITER - OBTUSE

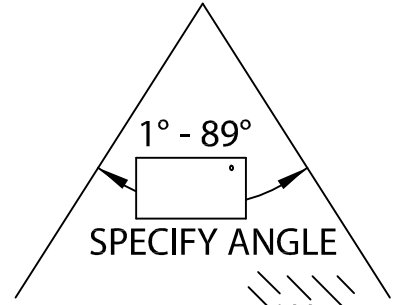


SPECIFY ANGLE 91° - 179°



- Standard Leg Lengths
 Custom Leg Lengths _____ Qty _____

OUTSIDE MITER - ACUTE

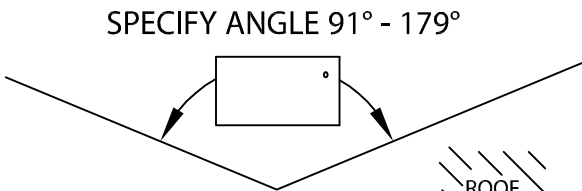


SPECIFY ANGLE



- Standard Leg Lengths
 Custom Leg Lengths _____ Qty _____

INSIDE MITER - OBTUSE

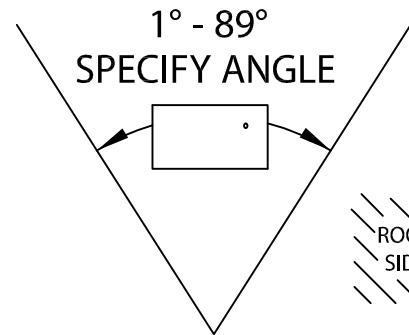


SPECIFY ANGLE 91° - 179°



- Standard Leg Lengths
 Custom Leg Lengths _____ Qty _____

INSIDE MITER - ACUTE



SPECIFY ANGLE



- Standard Leg Lengths
 Custom Leg Lengths _____ Qty _____

Fabrication will proceed only after receipt of signed print approval.

Print Approval:

Architect and/or contractor shall verify all dimensions, sizes and quantities. All products to be installed in strict accordance with with Versico, Inc's. printed instructions.

Approved by: _____

Date: _____

MATERIAL:

- ___ 24 Ga. (.65 mm) Galv.
 ___ .040" (1.01 mm) Alum.
 ___ .050" (1.27 mm) Alum.
 ___ .063" (1.60 mm) Alum.
 ___ OTHER _____

Color: _____

Finish: _____

Please Indicate Fascia System:

- Versitrim 2000 Fascia
 Versitrim 2000 Fascia Ballasted
 Versitrim 2000 Fascia For Larger Face Heights
 Versitrim 1000 Fascia
 Versitrim 1000 Fascia Ballasted
 Versitrim System 200
 Other _____

PROJECT:

ARCHITECT:

ROOFING CONTRACTOR:

REPRESENTATIVE/DISTRIBUTOR:

Customer Service
 800-558-2162
 (Metal-Era)



DATE: 07/02/08

DRN BY: JJC

CKD BY: SAK

SHT.# ___ OF ___

DWG# 18010-2039

B

NON 90° FASCIA MITERS

RIGHT ANGLES ARE 90°
ACUTE ANGLES RANGE FROM 1° - 89°
OBTUSE ANGLES RANGE FROM 91° - 179°

