



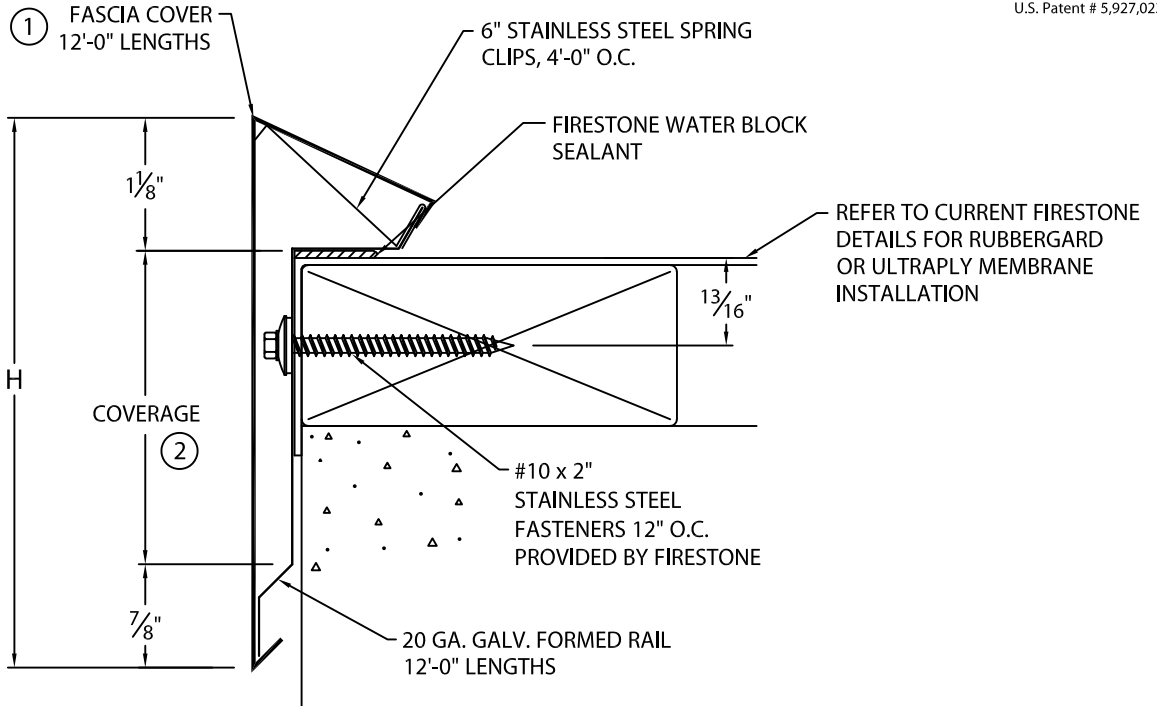
FIRESTONE RAIL FASCIA

FULLY ADHERED OR MECHANICALLY ATTACHED RUBBERGARD OR ULTRAPLY VERSION

ANSI/SPRI ES-1 DESIGN PRESSURE OF 155 psf

.050" AND .063" COVER MATERIAL

U.S. Patent # 5,927,023



NOTES:

- ① FASCIA COVER PROVIDED WITH 3 1/2" WIDE SPLICE PLATES
- ② TYPICALLY COVERAGE SHOULD EXTEND A MIN. OF 1" BELOW WOOD BLOCKING IF APPLICABLE.

FASCIA DIMENSIONS

| PRODUCT ID. NO. | H DIM | COVERAGE |
|----------------------------------|--------|----------|
| <input type="checkbox"/> ESE-S40 | 4" | 2" |
| <input type="checkbox"/> ESE-S50 | 5" | 3" |
| <input type="checkbox"/> ESE-S65 | 6 1/2" | 4 1/2" |
| <input type="checkbox"/> ESE-S80 | 8" | 6" |

Fabrication will proceed only after receipt of signed print approval.

Print Approval:

Architect and/or contractor shall verify all dimensions, sizes and quantities. All products to be installed in strict accordance with Firestone's printed instructions.

Approved by: _____

Date: _____

MATERIAL:

___ .050" Aluminum
 ___ .063" Aluminum
 ___ Other _____

Color: _____

Finish: _____

QUANTITIES:

_____ Lineal Feet 12'-0" Lengths

_____ Outside Miters (Cover Only) @ 90°

_____ Inside Miters (Cover Only) @ 90°

For Non-90° Miters See Print Approval #13010-1043

PROJECT:

ARCHITECT:

ROOFING CONTRACTOR:

REPRESENTATIVE/DISTRIBUTOR:

Firestone
 Firestone Building Products

EDGE GARD SYSTEMS
 PHONE: 800-872-0203
 FAX: 800-770-3934

DATE: 04/06/17

DRN BY: JJC

CKD BY: SAK

SHT.# ___ OF ___

DWG# 13010-19955

F