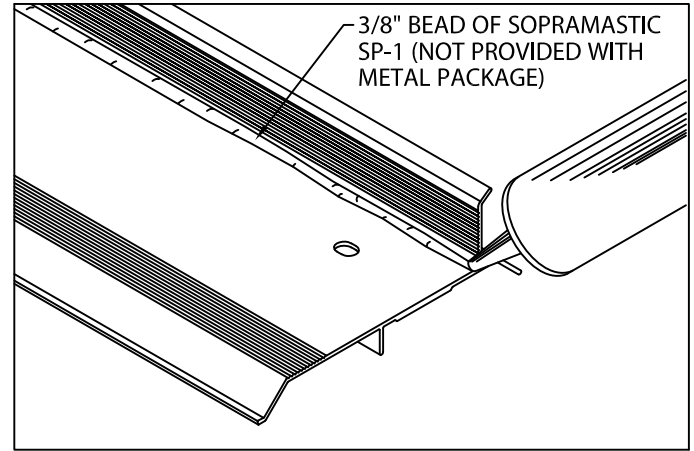
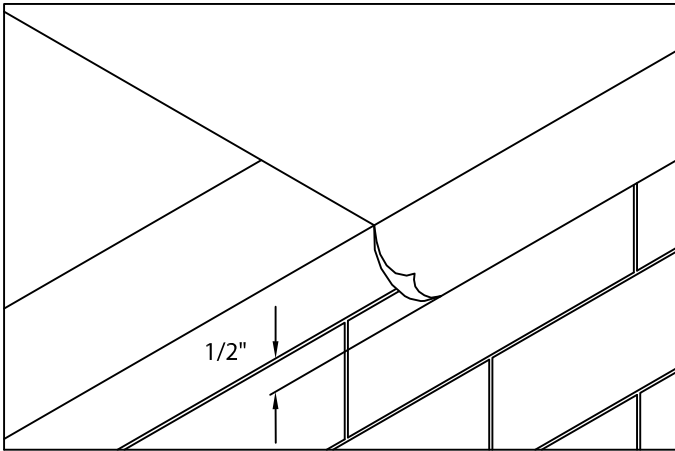




# SOPRA-TITE SENTINEL FASCIA

FULLY ADHERED OR MECHANICALLY ATTACHED SINGLE-PLY VERSION

## INSTALLATION INSTRUCTIONS



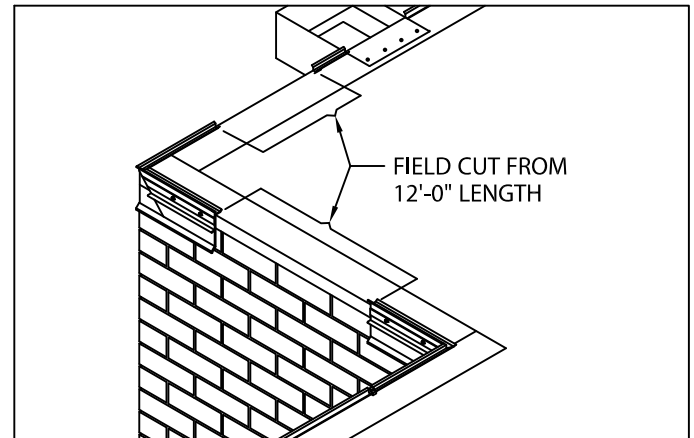
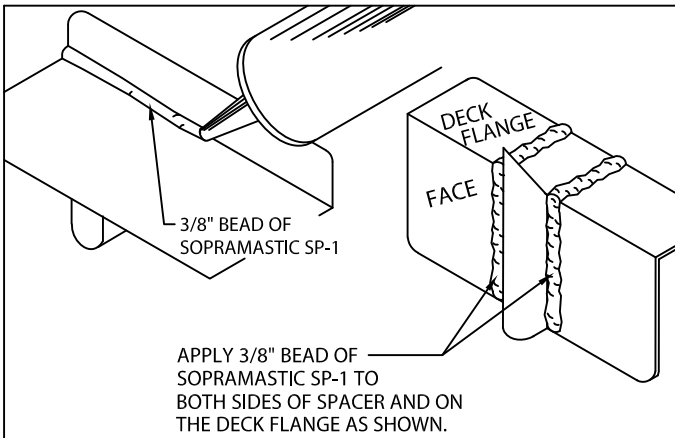
### 1. Roof Membrane

Position membrane over the roof edge and down outside face of wall, covering treated wood nailer(s) completely. Allow 1/2" excess membrane.

**IMPORTANT!** Outside edge of treated wood nailer(s) (minimum 2 x 4) shall be aligned flush with or extend slightly past outermost edge of wall. Sopra-Tite Sentinel Fascia is for use as a perimeter securement on roof designs where the product is not installed in a waterline. If the product will be in a waterline or requires drainage over the edge, we would recommend the use of Sopra-Tite Canted Fascia or Sopra-Tite Sentinel Drip Edge, depending on desired retention of water or drainage.

### 2. Miter & Scupper Anchor Bar (Preparation)

Lay miters and spill out scuppers on deck with outside face down. Be sure aluminum anchor bar is clean and free of dirt or dust. Apply a heavy 3/8" bead of SOPRAMASTIC SP-1 (not provided with metal package) to the right angle intersection of the deck flange and back of anchor bar as shown. Application of sealant is required along the full length of each miter anchor bar.



### 3. Anchor Bar Splice Plates

Apply SOPRAMASTIC SP-1 to each splice plate as shown and described in STEP 2.

**CAUTION!** Installers shall wear protective eye wear to prevent injury. Do not over-drive fasteners, as stripping can occur at high driver torque. Recommended driving tool: 600 - 800 rpm electric drill equipped with depth-sensing nose-piece to prevent driving and stripout. Do not use impact type tool.

### 4. Miter Bar Installation

Fold roofing membrane at corners and install miters using 2" hex head stainless steel fasteners and driver bit furnished by SOPREMA. Fasten anchor bar corners to nailer with one splice plate under each end of corner. The anchor bar splice plate must be snug to ends of anchor bar. Next locate and install spill outs and scuppers with sealant, 2" fasteners and anchor bar splice plates



800-356-3521  
www.soprema.us

310 Quadral Dr.  
Wadsworth, OH 44281  
f: 330-334-6257

DATE: 07/16/19  
DRN BY: ZS  
CKD BY: JAI

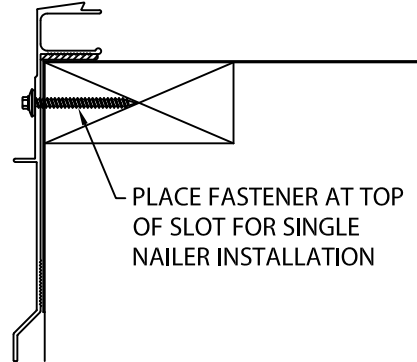
SHT.# 1 OF 2  
DWG# 33110-22345

F

# DIAGONAL SLOT ANCHOR BAR INSTALLATION

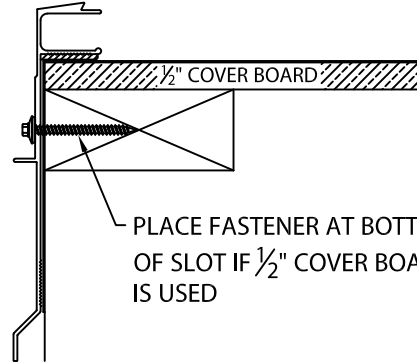
NOTE: IF THE SLOTS ON THE ANCHOR BAR ARE ALL HORIZONTAL, NOT DIAGONAL, FASTEN IN THE CENTER OF THE SLOT

PLACE FASTENER AT TOP OF SLOT FOR SINGLE NAILER INSTALLATION



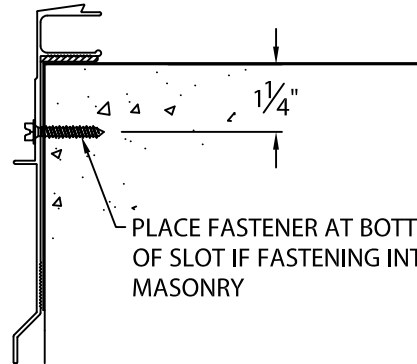
PLACE FASTENER AT TOP OF SLOT FOR SINGLE NAILER INSTALLATION

PLACE FASTENER AT BOTTOM OF SLOT IF 1/2" COVER BOARD IS USED



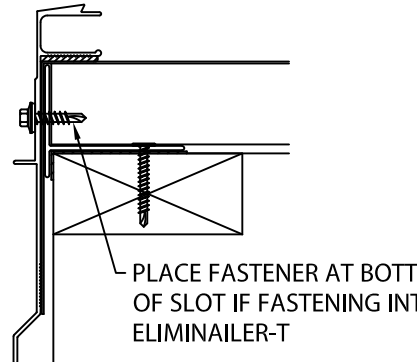
PLACE FASTENER AT BOTTOM OF SLOT IF 1/2" COVER BOARD IS USED

PLACE FASTENER AT BOTTOM OF SLOT IF FASTENING INTO MASONRY



PLACE FASTENER AT BOTTOM OF SLOT IF FASTENING INTO MASONRY

PLACE FASTENER AT BOTTOM OF SLOT IF FASTENING INTO ELIMINAILER-T



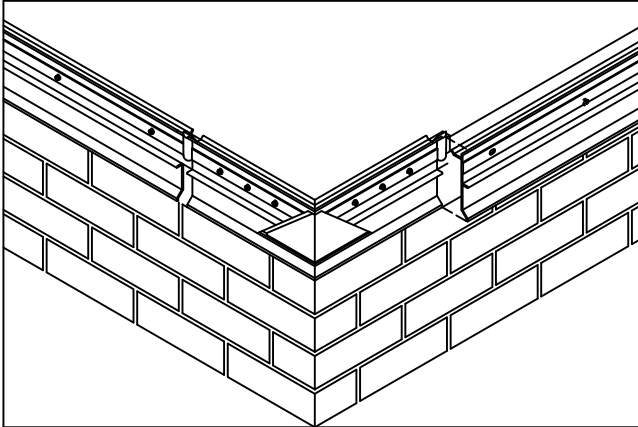
PLACE FASTENER AT BOTTOM OF SLOT IF FASTENING INTO ELIMINAILER-T



# SOPRA-TITE SENTINEL FASCIA

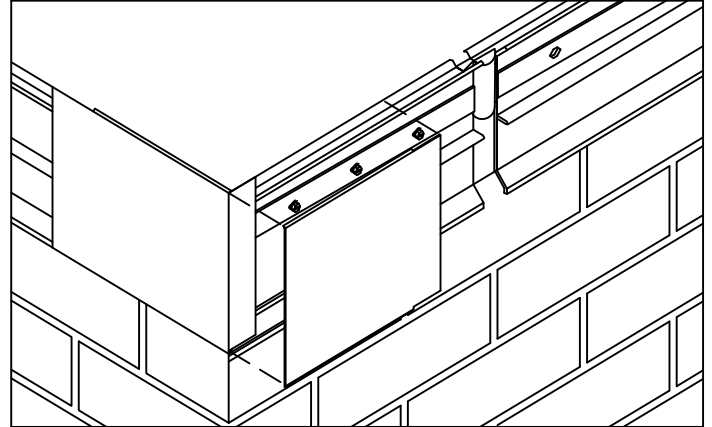
FULLY ADHERED OR MECHANICALLY ATTACHED SINGLE-PLY VERSION

INSTALLATION INSTRUCTIONS



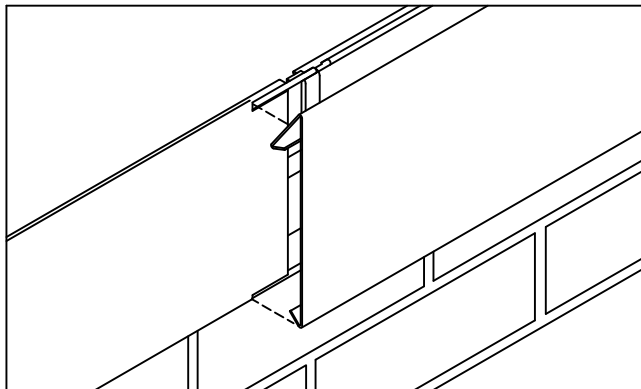
## 5. Anchor Bar (Installation)

Position 12'-0" sections of anchor bar with applied SOPRAMASTIC SP-1 as shown in steps 2 & 3 overlapping anchor splice plate. Allow 1/2" space between anchor bars. Install anchor bar splice plate at other end of 12'-0" bar. Fasten anchor bar 12" O.C. through slots using 2" stainless steel fasteners provided. Field cut sections as necessary.



## 6. Fascia Miters Covers

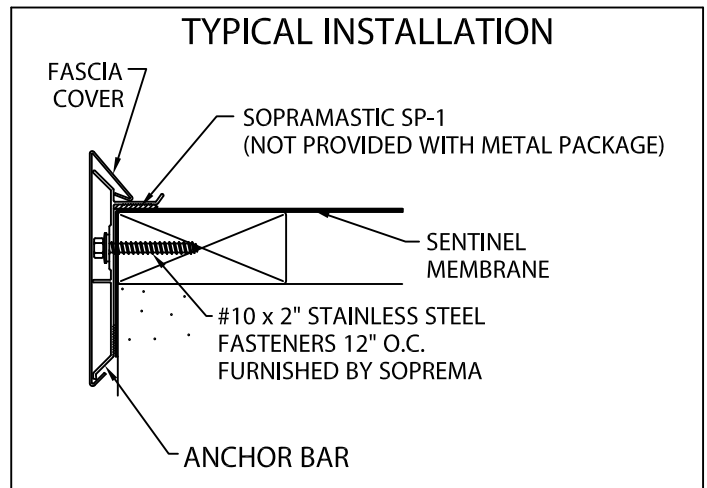
Install 2-piece "snap-on" fascia corner covers first by snapping on fascia corner cover with 90° (degree) tab, followed by fascia corner cover without the tab. Simply position the cover atop bar and with palm of hand apply slight pressure downward until engaged to anchor bar.



## 7. Fascia Covers

Position 12'-0" fascia covers on top of anchor bar and overlap preceding cover approximately 1" at notches provided. Fascia covers shall be installed from right to left as seen from rooftop. With fascia covers in correct position atop anchor bar, simply snap each section onto anchor bar by applying downward pressure with palm of the hand until the fascia cover is fully engaged along the entire length. Continue to install fascia covers, field cutting where necessary using fine tooth hacksaw.

**IMPORTANT!** Be sure to remove protective plastic film prior to installing each fascia section.



800-356-3521  
www.soprema.us

310 Quadral Dr.  
Wadsworth, OH 44281  
f: 330-334-6257

DATE: 07/16/19  
DRN BY: ZS  
CKD BY: JAI

SHT.# 2 OF 2  
DWG# 33110-22345

F