

ONE COPING

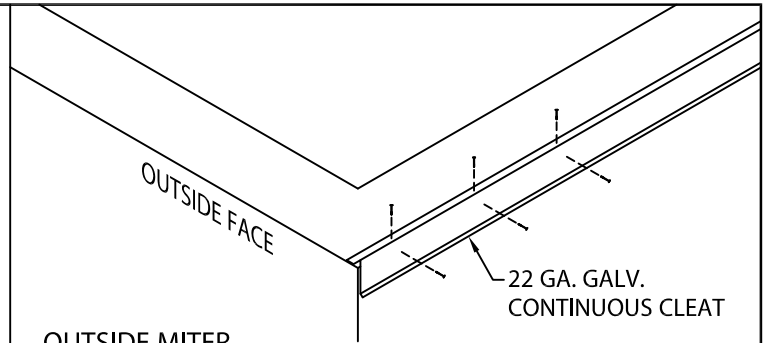
TAPERED VERSION

INSTALLATION INSTRUCTIONS

IMPORTANT: Prior to installation, read instructions carefully.

NOTE: Position roof membrane on top of the wall covering the treated wood nailer(s) or substrate completely. Allow 1/2" minimum excess membrane beyond nailer where applicable. NRCA requirement. Membrane not shown for clarity.

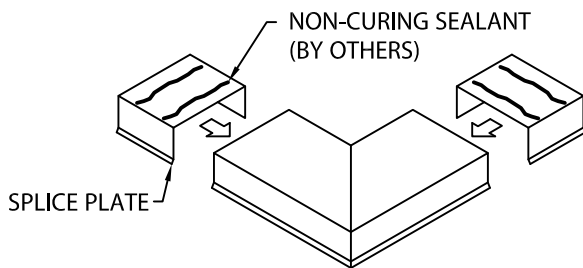
CAUTION: INSTALL MITERS FIRST!



OUTSIDE MITER SHOWN

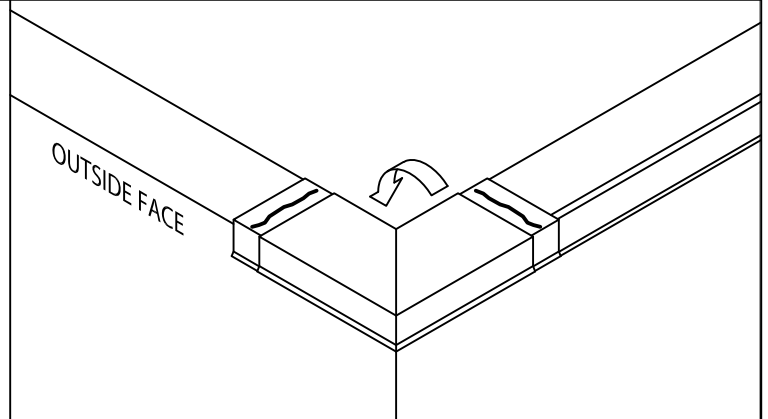
STEP 1 - CONTINUOUS CLEAT AT CORNERS

PLACE OUTSIDE CONTINUOUS CLEAT OUTSIDE FACE AT CORNER FASTEN 12" O.C. WITH PROVIDED NAILS. (SEE DETAIL A).



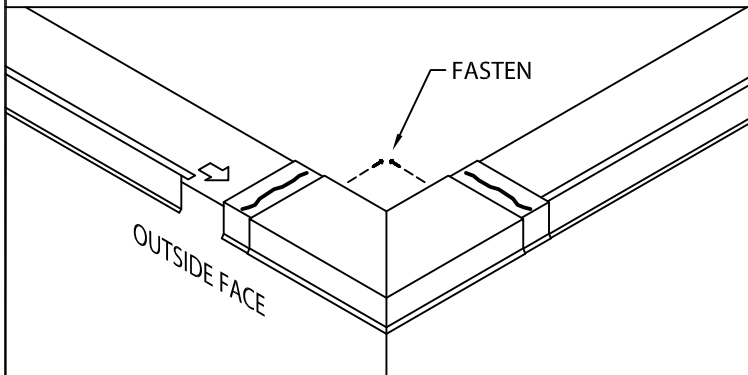
STEP 2 - MITER SPLICE PLATES

APPLY NON-CURING SEALANT TO TOP OF SPLICE PLATES AS SHOWN. INSTALL THE SPLICE PLATES HALFWAY INTO EACH END OF THE MITER.



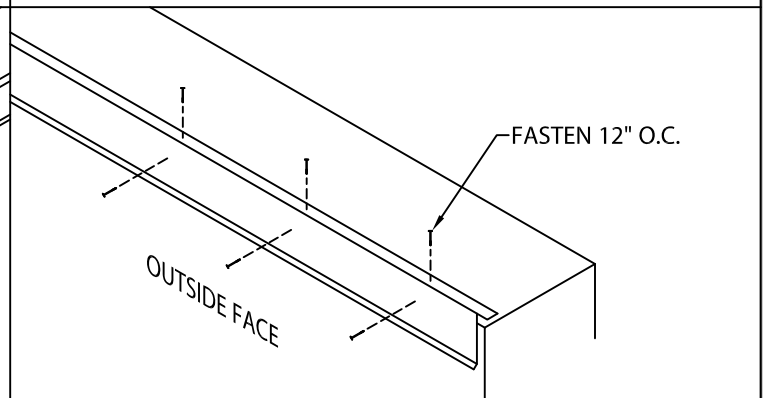
STEP 3 - MITER

HOOK OUTSIDE FACE OF MITER ASSEMBLY ONTO CONTINUOUS CLEAT AND ROTATE INTO PLACE.



STEP 4 - CONTINUOUS CLEAT AT CORNERS

INSTALL SECOND CONTINUOUS CLEAT BY SLIDING IT UNDER THE MITER, BEING SURE TO ENGAGE DRIPS. FASTEN TO THE WALL 12" O.C. WITH PROVIDED NAILS. FASTEN INSIDE FACE OF COPING WITH PROVIDED SCREWS.



STEP 5 - CONTINUOUS CLEATS

LOCATE CONTINUOUS CLEATS ALONG OUTSIDE FACE AND FASTEN CLEATS 12" O.C. WITH PROVIDED NAILS.



Phone: 800-558-2162
Fax: 800-373-9156
www.metalera.com

DATE: 09/18/18
DRN BY: JJC
CKD BY: SAK

SHT.# 1 OF 2

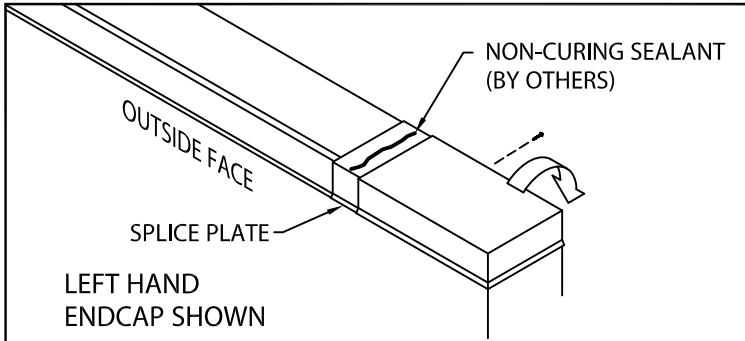
DWG# 11111-26256

C

ONE COPING

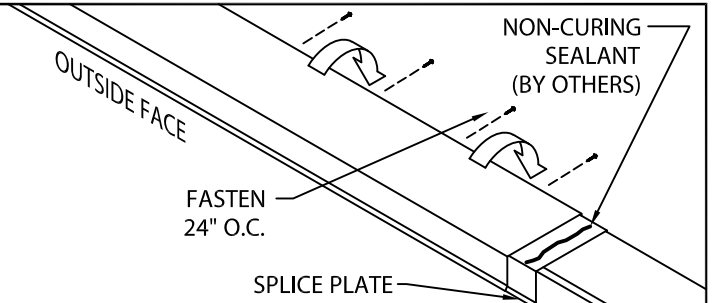
TAPERED VERSION

INSTALLATION INSTRUCTIONS



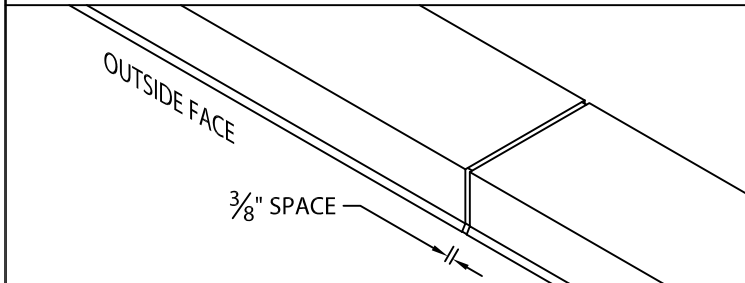
STEP 6 - ENDCAPS

APPLY NON-CURING SEALANT TO TOP OF SPLICE PLATE AS SHOWN. PLACE SPLICE PLATE HALFWAY INTO ENDCAP. HOOK OUTSIDE FACE OF ENDCAP ONTO THE CONTINUOUS CLEAT AND ROTATE INTO PLACE. FASTEN INSIDE FACE WITH PROVIDED SCREW.



STEP 7 - COPING SECTIONS

APPLY NON-CURING SEALANT TO TOP OF SPLICE PLATE. PLACE INTO END OF 12'-0" COPING SECTION AS SHOWN. HOOK DRIP EDGE OF EACH COPING SECTION ONTO CONTINUOUS CLEAT, ROTATE INTO PLACE. FASTEN INSIDE FACE WITH PROVIDED SCREWS 24" O.C.
NOTE: REMOVE PROTECTIVE FILM IMMEDIATELY.



STEP 8 - COPING SECTIONS

CONTINUE INSTALLING COPING WITH A 3/8" SPACE AT SPLICE JOINTS TO ALLOW FOR THERMAL EXPANSION. FIELD CUT WHERE NECESSARY USING A FINE TOOTH HACKSAW OR SNIPS.
NOTE: REMOVE PROTECTIVE FILM IMMEDIATELY.

TYPICAL INSTALLATION DETAIL A

