



UNA-Edge® GS GravelStop System

WITH CONTINUOUS CLEAT

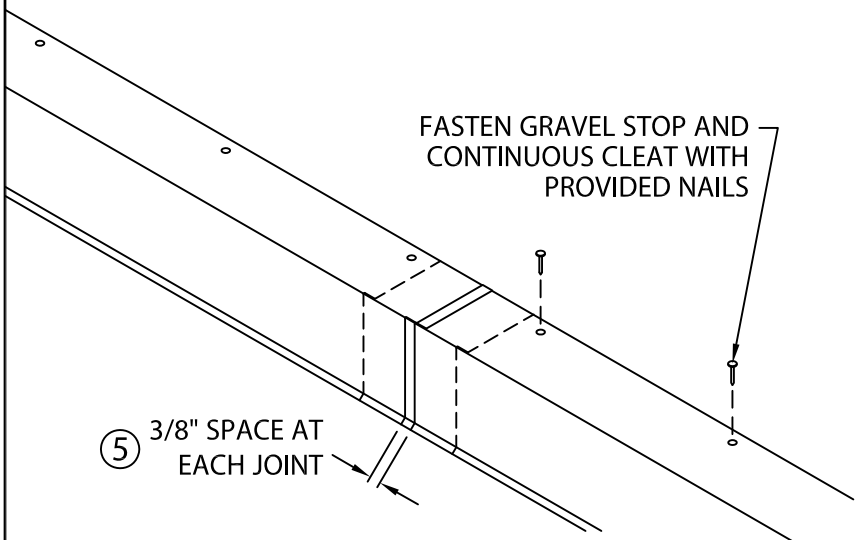
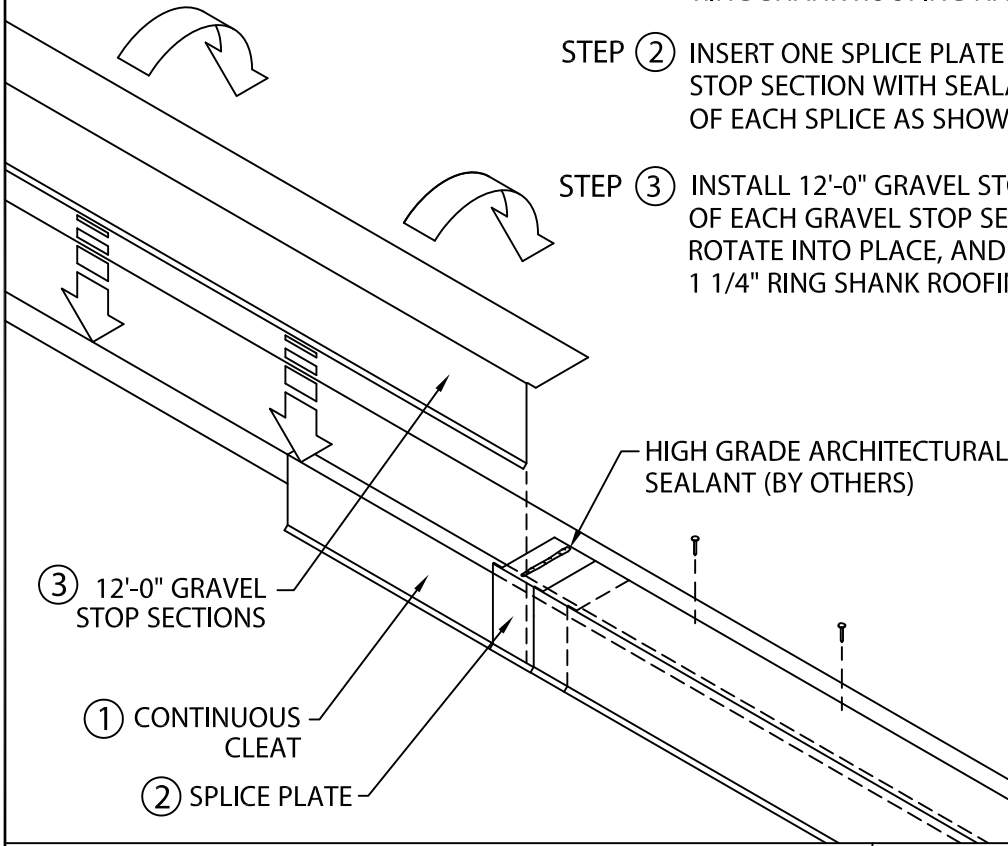
INSTALLATION INSTRUCTIONS

NOTE: INSTALL MITERS FIRST

STEP ① POSITION 12'-0" CONTINUOUS CLEAT SECTIONS ON WALL AND FASTEN 12" O.C. AS SHOWN (SEE DETAIL) WITH PROVIDED 1 1/4" RING RING SHANK ROOFING NAILS. LAP CONTINUOUS CLEAT 1" AT JOINTS.

STEP ② INSERT ONE SPLICE PLATE UNDER LEFT END OF 12'-0" GRAVEL STOP SECTION WITH SEALANT TO BE FIELD APPLIED TO TOP OF EACH SPLICE AS SHOWN.

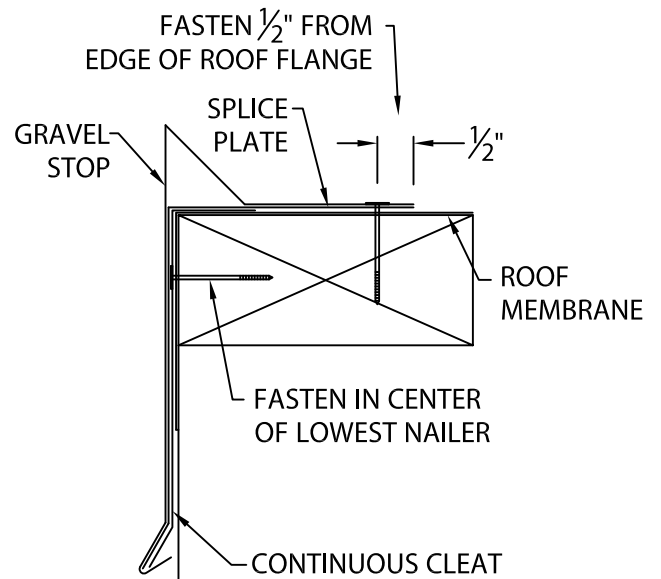
STEP ③ INSTALL 12'-0" GRAVEL STOP SECTIONS. HOOK DRIP EDGE OF EACH GRAVEL STOP SECTION ONTO CONTINUOUS CLEAT, ROTATE INTO PLACE, AND FASTEN 6" O.C. WITH PROVIDED 1 1/4" RING SHANK ROOFING NAILS.



STEP ⑤ CONTINUE BY INSTALLING GRAVEL STOP SECTIONS ALLOWING A 3/8" SPACE BETWEEN SECTIONS AS SHOWN. FIELD CUT AS NECESSARY.

CAUTION: REMOVE PROTECTIVE FILM IMMEDIATELY AFTER INSTALLATION. INSTALLERS SHALL WEAR PROTECTIVE EYEWEAR TO PREVENT INJURY.

TYPICAL INSTALLATION DETAIL A



1 1/4" RING SHANK ROOFING NAILS PROVIDED