

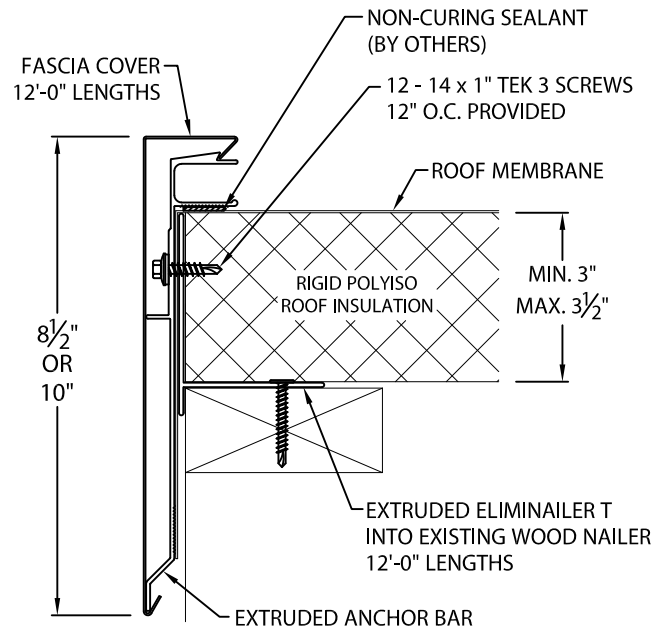
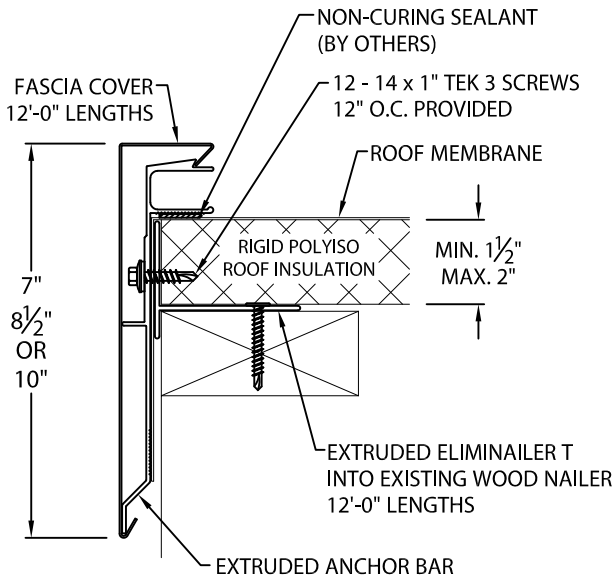


ANCHOR-TITE HG FASCIA WITH ELIMINAILER™ T

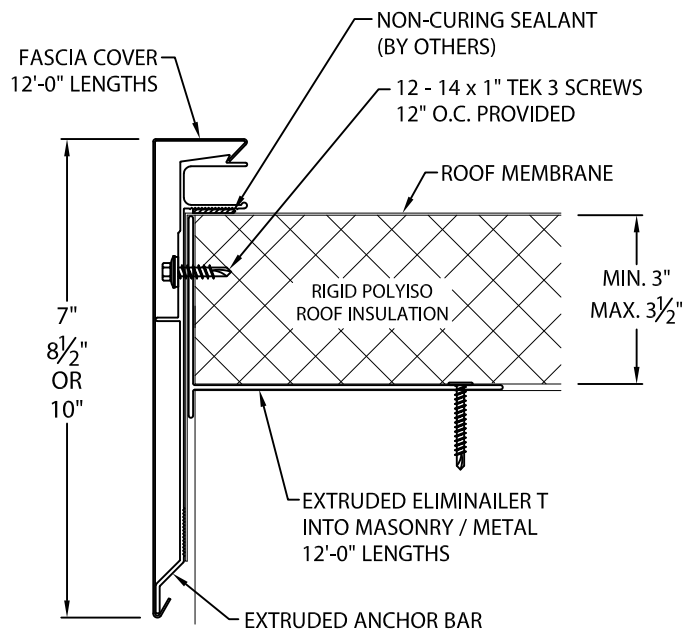
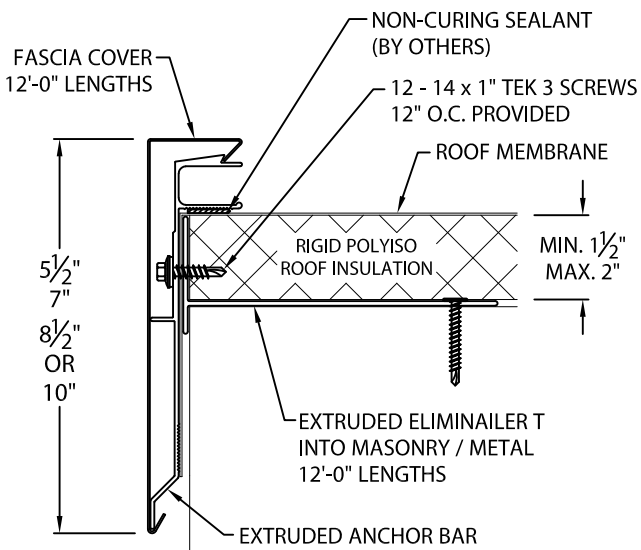
FULLY ADHERED OR MECHANICALLY ATTACHED SINGLE-PLY VERSION

INSTALLATION INSTRUCTIONS

TYPICAL EXISTING WOOD NAILER INSTALLATION



TYPICAL MASONRY / METAL INSTALLATION



Phone: 800-558-2162
Fax: 800-373-9156
www.metalera.com

DATE: 08/30/17
DRN BY: JJC
CKD BY: SAK

SHT.# 1 OF 3
DWG# 11110-27097

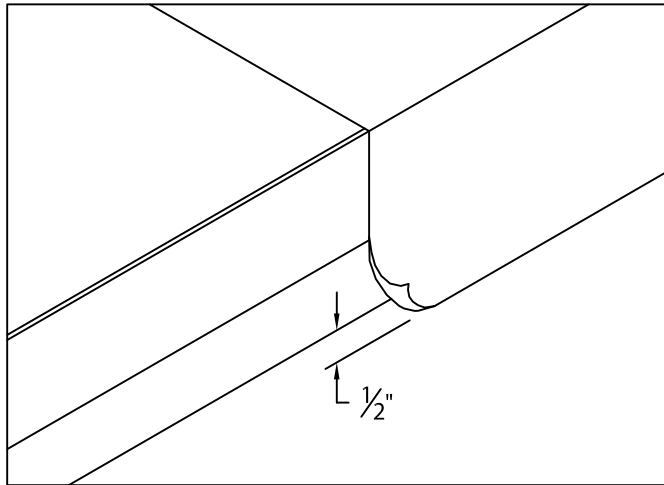
A



ANCHOR-TITE HG FASCIA WITH ELIMINAILER™ T

FULLY ADHERED OR MECHANICALLY ATTACHED SINGLE-PLY VERSION

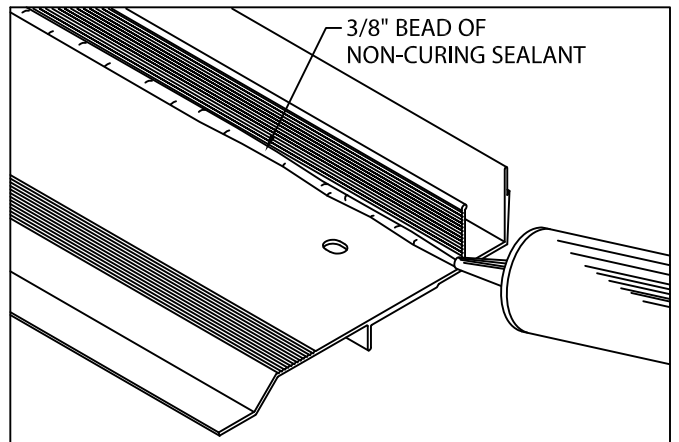
INSTALLATION INSTRUCTIONS



1. Roof Membrane

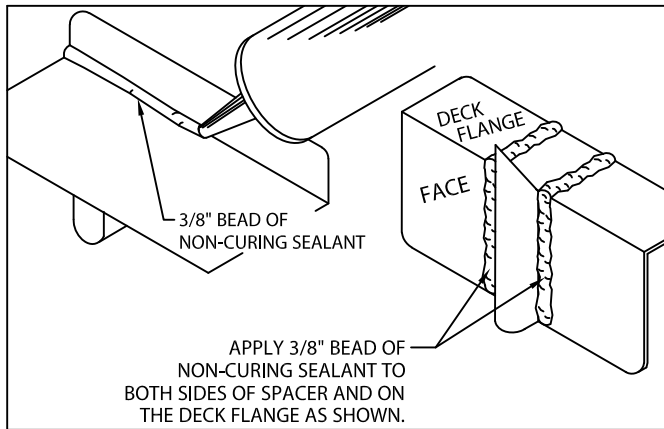
Position membrane over the Eliminailer T and down outside face of wall. Allow 1/2" excess membrane.

IMPORTANT! Outside edge of Eliminailer T shall be aligned flush with or extend slightly past outermost edge of wall.



2. Miter & Scupper Anchor Bar (Preparation)

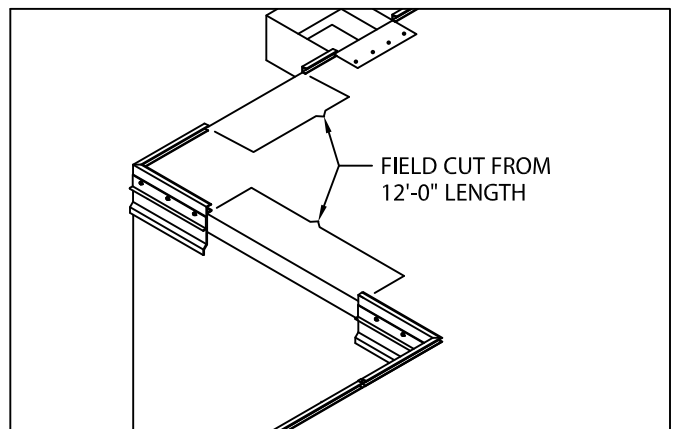
Lay miters and scuppers on deck with outside face down. Be sure aluminum anchor bar is clean and free of dirt or dust. Apply a heavy 3/8" bead of non-curing sealant to the right angle intersection of the deck flange and back of anchor bar as shown. Application of sealant is required along the full length of each miter anchor bar.



3. Anchor Bar Splice Plates

Apply non-curing sealant to each plate as shown and described in STEP 2.

CAUTION! Installers shall wear protective eye wear to prevent injury. Do not over-drive fasteners, as stripping can occur at high driver torque. Recommended driving tool: 600-800 rpm electric drill equipped with depth-sensing nose-piece to prevent driving and stripout. Do not use impact type tool.



4. Miter Bar Installation

Fold roofing membrane at corners and install miters using 1" tek screws and driver bit furnished by Metal-Era. Fasten anchor bar corners to nailer with one splice plate under each end of corner. The anchor bar splice plate must be snug to ends of anchor bar. Next locate and install spill outs and scuppers with sealant, 1" tek screws and anchor bar splice plates.



Phone: 800-558-2162
Fax: 800-373-9156
www.metalera.com

DATE: 08/24/17
DRN BY: JJC
CKD BY: SAK

SHT.# 2 OF 3
DWG# 11110-27097

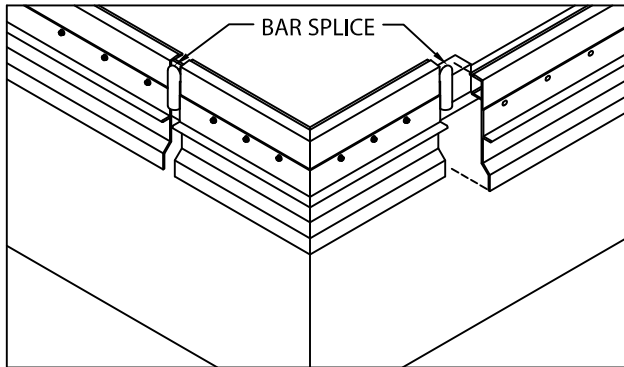
A



ANCHOR-TITE HG FASCIA WITH ELIMINAILER™ T

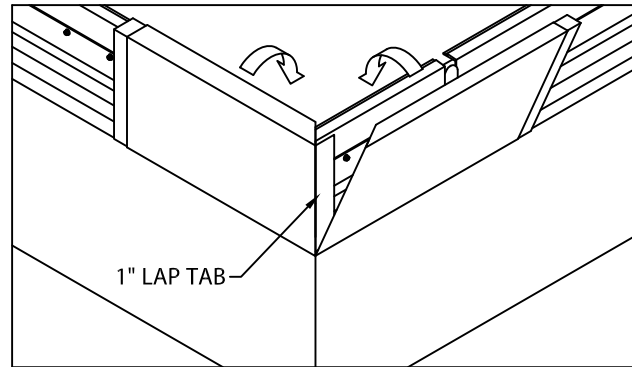
FULLY ADHERED OR MECHANICALLY ATTACHED SINGLE-PLY VERSION

INSTALLATION INSTRUCTIONS



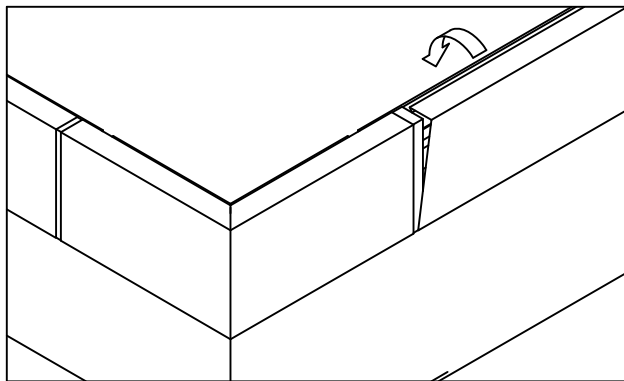
5. Anchor Bar Installation

Position 12' anchor bar sections with applied non-curing sealant as shown in step 2, overlapping anchor bar splice plate. Allow $\frac{1}{2}$ " space between anchor bars. Install anchor bar splice plate at other end of bar section. Fasten anchor bar 12" O.C. through slotted holes using provided 1" screws. Field cut sections as necessary.



6. Fascia Miter Covers

Install miter covers first. Insert one splice plate under each end of the two piece miter cover. Engage cover with 90° tab onto bottom of anchor bar and rotate miter cover up and over anchor bar miter until engaged along entire length of the anchor bar. Repeat steps to install miter cover without the 90° tab.



7. Fascia Covers

Install 12'-0" fascia cover sections. Allow a $\frac{3}{8}$ " gap between fascia cover sections. Insert one splice plate under far end of each fascia cover section. Install cover by hooking lower edge of cover onto anchor bar and rotating cover up and over anchor bar until engaged along entire length of cover section. Continue to install cover sections in this manner, field cutting where necessary using a fine tooth hacksaw.

IMPORTANT! Be sure to remove protective plastic film prior to installing each fascia section.



Phone: 800-558-2162
Fax: 800-373-9156
www.metalera.com

DATE: 08/30/17
DRN BY: JJC
CKD BY: SAK

SHT.# 3 OF 3
DWG# 11110-27097

A