



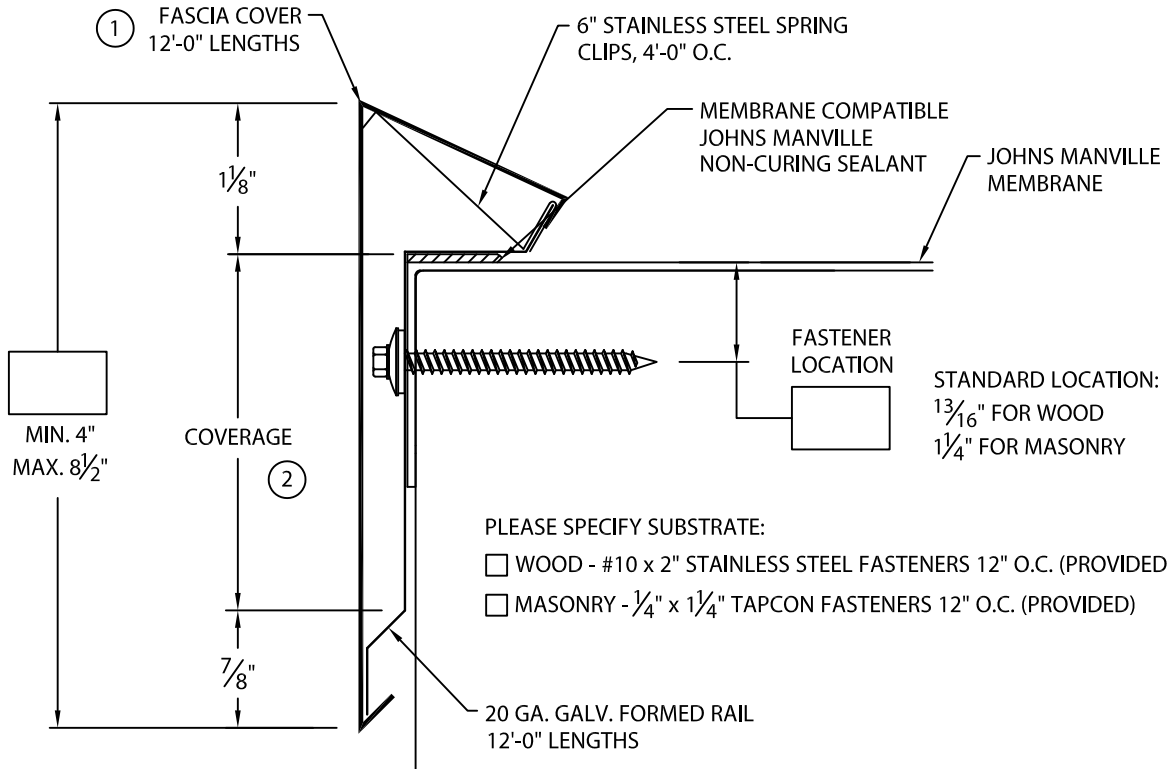
# CUSTOM PRESTO-TITE EDGE ONE

FULLY ADHERED OR MECHANICALLY ATTACHED SINGLE-PLY VERSION

CUSTOM FACE SIZE AND FASTENER LOCATION - .050 AND .063" COVER MATERIAL

ANSI/SPRI ES-1 DESIGN PRESSURE OF 155 psf

U.S. Patent # 5,927,023



## NOTES:

- ① FASCIA COVER PROVIDED WITH 3 1/2" WIDE SPLICE PLATES.
- ② FACE = COVERAGE (SHOULD EXTEND A MIN. OF 1" BELOW WATERPROOFING MEMBRANE) + 2".

## MATERIAL:

- \_\_\_ .050" Aluminum
- \_\_\_ .063" Aluminum
- \_\_\_ Other \_\_\_\_\_

Color: \_\_\_\_\_

Finish: \_\_\_\_\_

Fabrication will proceed only after receipt of signed print approval.

## Print Approval:

Architect and/or contractor shall verify all dimensions, sizes and quantities. All products to be installed in strict accordance Johns Manville's printed instructions.

Approved by: \_\_\_\_\_

Date: \_\_\_\_\_

## QUANTITIES:

\_\_\_\_\_ Lineal Feet 12'-0" Lengths

\_\_\_\_\_ Outside Miters @ 90° (Cover Only)

\_\_\_\_\_ Inside Miters @ 90° (Cover Only)

For Non-90° Miters, See Print Approval #16010-2320

## PROJECT:

## ARCHITECT:

## ROOFING CONTRACTOR:

## REPRESENTATIVE/DISTRIBUTOR:

51 Lexington Street; Lewiston, ME 04240  
 CUSTOMER SERVICE: 800-223-8317 USA  
 800-445-1500 Canada  
 TECHNICAL SERVICE: 800-445-1500 USA & Canada  
 FAX: 207-784-0125  
 OTHER AREAS CALL: 207-784-0123



DATE: 02/02/18

DRN BY: JJC

CKD BY: SAK

SHT.# \_\_\_ OF \_\_\_

DWG# 16310-19983 F