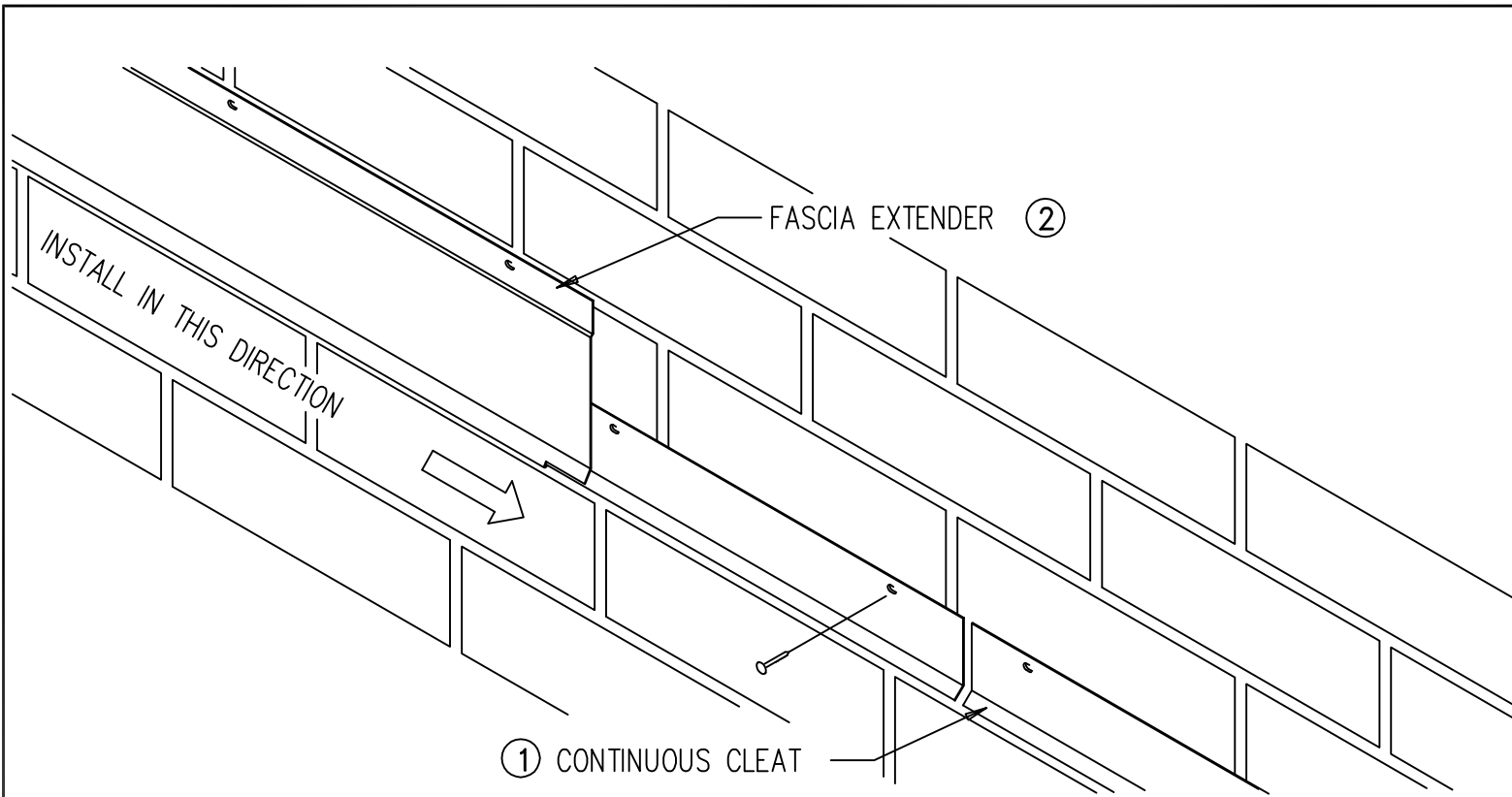


FASCIA EXTENDER WITH LAP JOINT

NOTE : INSTALL MITERS FIRST.

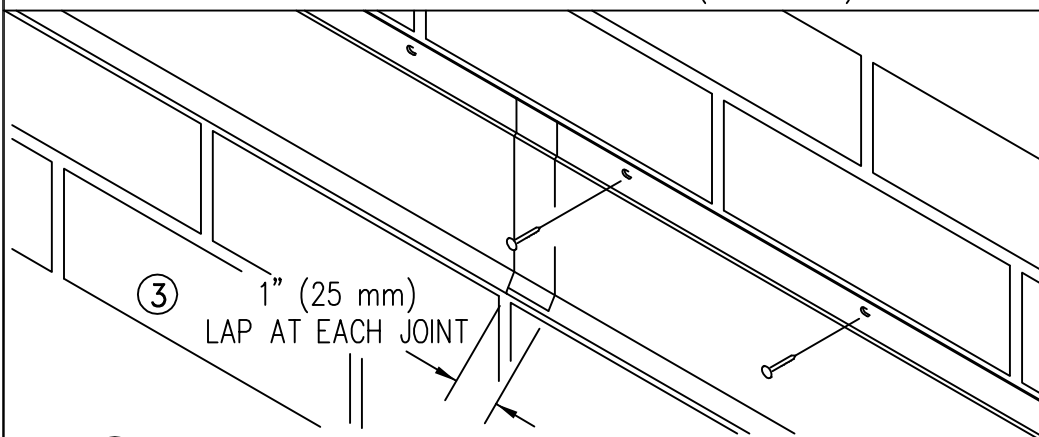
INSTALLATION INSTRUCTIONS

IMPORTANT : PRIOR TO INSTALLATION, READ INSTRUCTIONS CAREFULLY.



STEP ① - CAREFULLY POSITION AND FASTEN CONTINUOUS CLEAT 12" (304.8 mm) O.C. AS SHOWN WITH APPROPRIATE FASTENERS. CLEAT SHALL BE INSTALLED TRUE AND LEVEL.

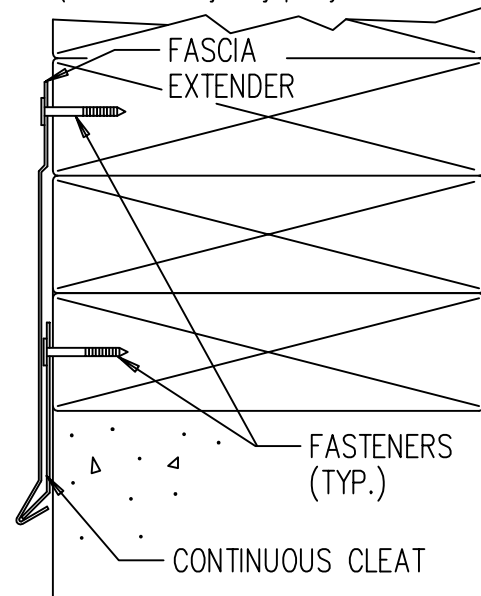
STEP ② - HOOK DRIP EDGE OF EACH FASCIA EXTENDER ONTO CONTINUOUS CLEAT AND FASTEN WITH APPROPRIATE FASTENERS AT 12" (304.8 mm) O.C.



STEP ③ -CONTINUE BY INSTALLING FASCIA EXTENDER PANELS RIGHT TO LEFT (AS SEEN FROM ROOFTOP). LAP ENDS OF PANELS 1" (25.4 mm) AT NOTCH PROVIDED. FIELD CUT AS NECESSARY.

CAUTION : REMOVE PROTECTIVE FILM IMMEDIATELY AFTER INSTALLATION. INSTALLERS SHALL WEAR PROTECTIVE EYEWEAR TO PREVENT INJURY.

TYPICAL INSTALLATION (Substrate may vary per job conditions.)



Sika Sarnafil Inc.
(800) 451-2504
www.metalera.com/sikasarnafil

DATE: 06/01/02
DRN BY: COB
CKD BY: SAK

SHT.# ___ OF ___
DWG# 14114-2850

A