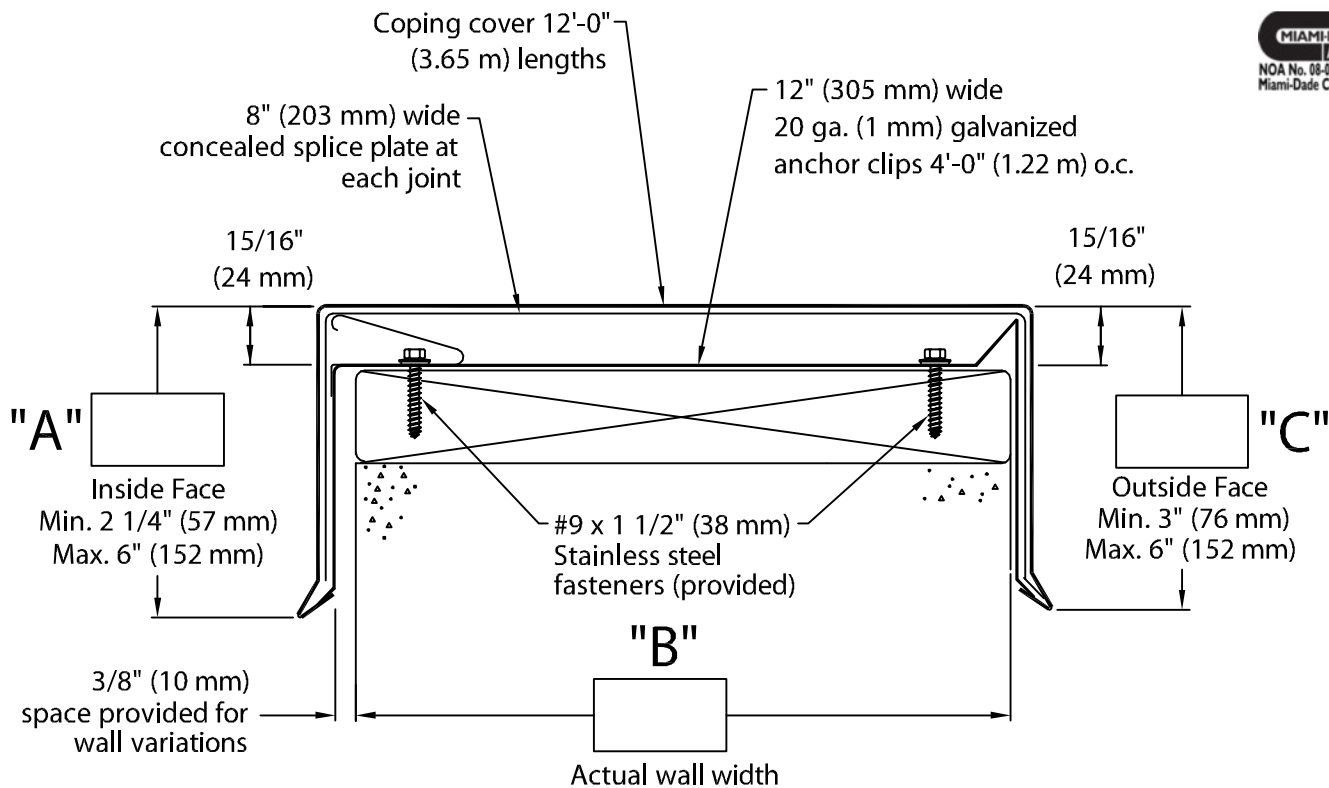


# DOW COPING

FLAT VERSION

ANSI/SPRI ES-1 TESTED



Coping is to be installed per Specifications and Dow Roofing Systems' Installation Instruction Dwg. # 12111-2990

- Concealed splice plates are provided with factory applied dual non-curing sealant strips.
- Unless otherwise noted, fabrication of miters and accessories are furnished standard utilizing a non-penetrating quicklock joint, then factory sealed watertight.

- Welded Miters and Accessories  
Check one  Required (surcharge)  Not applicable

Fabrication will proceed only after receipt of signed print approval.

## Print Approval:

Architect and/or contractor shall verify all dimensions, sizes and quantities. All products to be installed in strict accordance with Dow Roofing Systems' printed instructions.

Approved by: \_\_\_\_\_

Date: \_\_\_\_\_

### MATERIAL:

- \_\_\_ 24 Ga. (0.65 mm) Galv.
- \_\_\_ .040" (1.01 mm) Alum. Color: \_\_\_\_\_
- \_\_\_ .050" (1.27 mm) Alum.
- \_\_\_ .063" (1.60 mm) Alum. Finish: \_\_\_\_\_
- \_\_\_ OTHER \_\_\_\_\_

### QUANTITIES:

- \_\_\_\_\_ Lineal Feet 12'-0" (3.65 m) Lengths
- \_\_\_\_\_ Outside Miters @ (\_\_\_\_\_°)
- \_\_\_\_\_ Inside Miters @ (\_\_\_\_\_°)
- \_\_\_\_\_ Right End Caps
- \_\_\_\_\_ Left End Caps

PROJECT:

ARCHITECT:

ROOFING CONTRACTOR:

REPRESENTATIVE/DISTRIBUTOR:

Corporate Offices  
Dow Roofing Systems  
Nine Sullivan Road  
Holyoke, MA 01040  
P: 800-621-ROOF



ROOFING SYSTEMS

DATE: 03/02/12

DRN BY: JJC

CKD BY: SAK

SHT.# \_\_\_ OF \_\_\_

DWG# 12011-2989

E