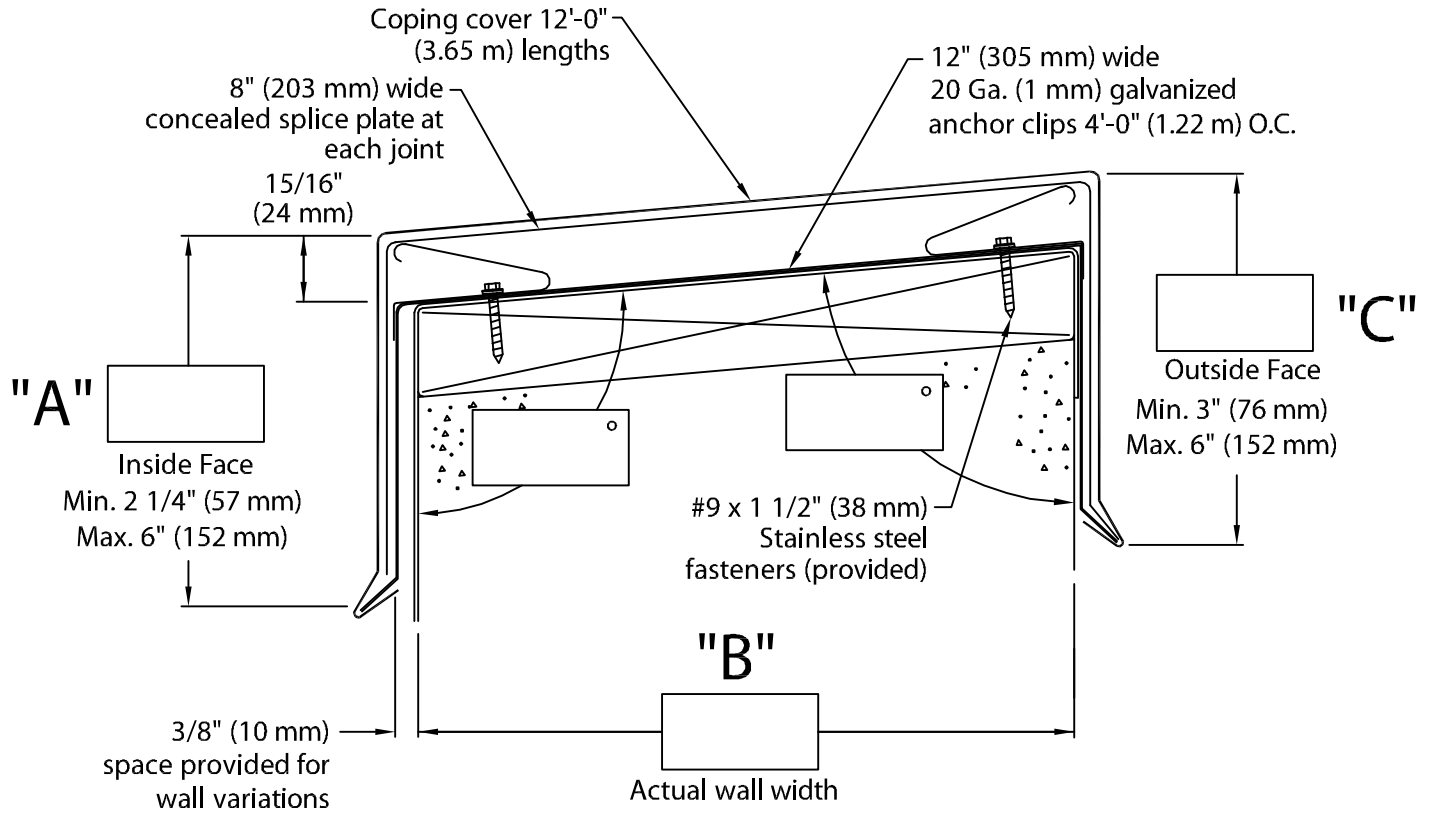


DOW COPING

EXISTING SLOPE WITH NAILER VERSION

ANSI/SPRI ES-1 TESTED



Coping is to be installed per Specifications and Dow Roofing Systems' Installation Instruction Dwg. # 12111-9429

-- Concealed splice plates are provided with factory applied dual non-curing sealant strips.
 -- Unless otherwise noted, fabrication of miters and accessories are furnished standard utilizing a non-penetrating quicklock joint, then factory sealed watertight.

-- Welded Miters and Accessories
 Check one Required (surcharge) Not applicable

Fabrication will proceed only after receipt of signed print approval.

Print Approval:

Architect and/or contractor shall verify all dimensions, sizes and quantities. All products to be installed in strict accordance with Versico, Inc's. printed instructions.

Approved by: _____

Date: _____

MATERIAL:

- ___ 24 Ga. (0.65 mm) Galv.
- ___ .040" (1.01 mm) Alum. Color: _____
- ___ .050" (1.27 mm) Alum.
- ___ .063" (1.60 mm) Alum. Finish: _____
- ___ OTHER _____

QUANTITIES:

- _____ Lineal Feet 12'-0" (3.65 m) Lengths
- _____ Outside Miters @ (_____)°
- _____ Inside Miters @ (_____)°
- _____ Right End Caps
- _____ Left End Caps

PROJECT: _____

ARCHITECT: _____

ROOFING CONTRACTOR: _____

REPRESENTATIVE/DISTRIBUTOR: _____

Customer Service
 800-558-2162
 (Metal-Era)



DATE: 03/05/12
 DRN BY: JJC
 CKD BY: SAK

SHT.# ___ OF ___
 DWG# 12011-9295 **C**