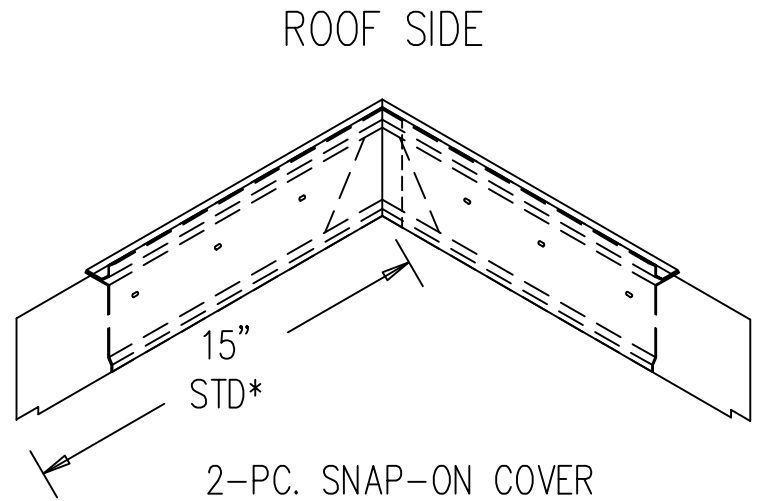
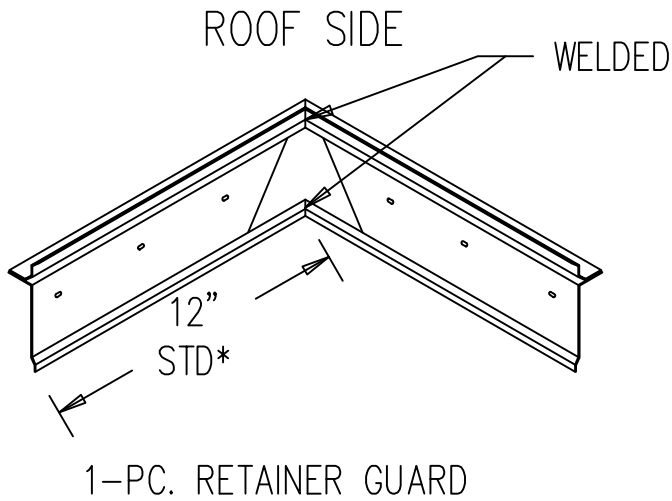


# SECUREDGE 1000 FASCIA SYSTEM

MITERS - FACTORY WELDED CONSTRUCTION

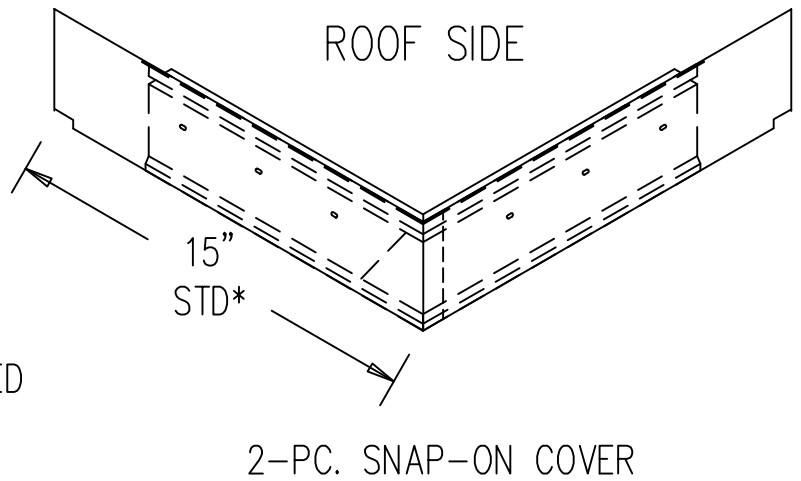
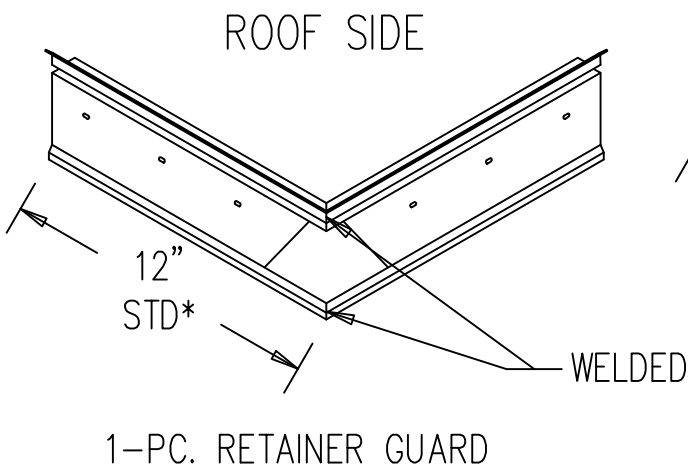
## INSIDE MITER



FASTENERS INCLUDED

NOTE: TREATED WOOD NAILERS REQUIRED

## INSIDE MITER



\* CUSTOM LENGTHS (LONGER) HAVE A SURCHARGE

PROJECT	Customer Service 888-666-4369 (Metal-Era)
ARCHITECT	
ROOFING CONTRACTOR	
REPRESENTATIVE/DISTRIBUTOR	



DATE: 09/29/05

DRN BY: JJC

CKD BY: SAK

SHT.# \_\_\_\_ OF \_\_\_\_

DWG# 15510-1654 A