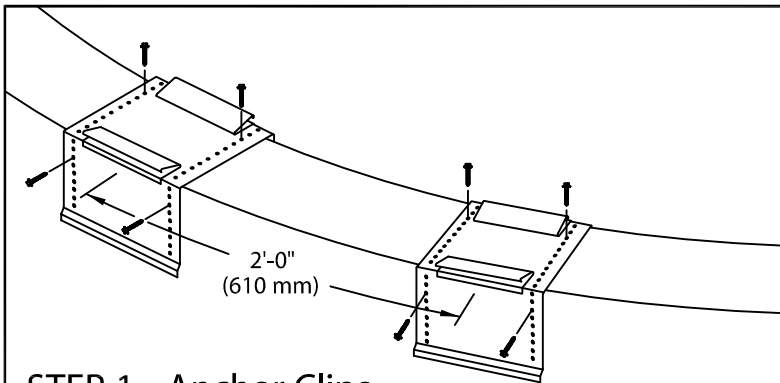


ANCHOR-TITE RADIUS COPING

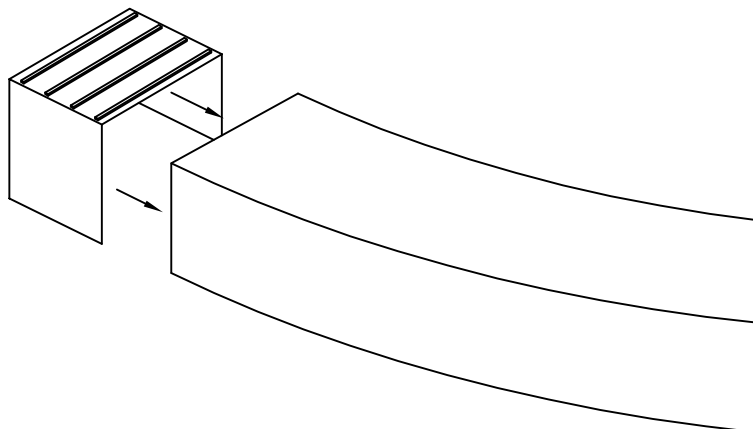
2'-0" O.C.

INSTALLATION INSTRUCTIONS



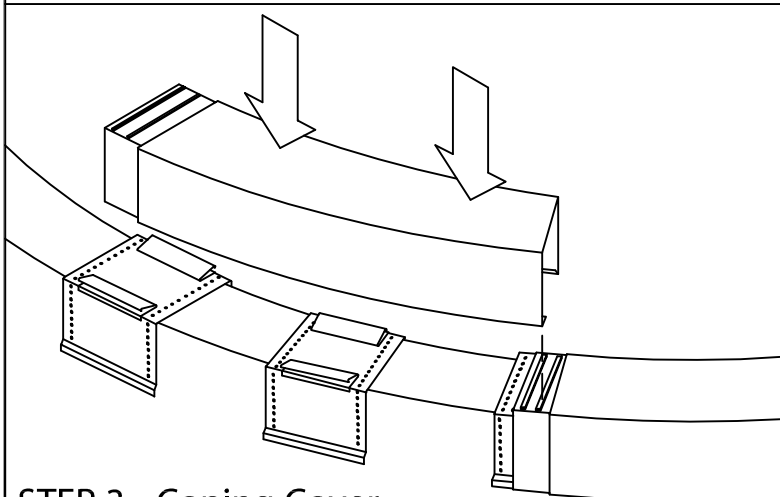
STEP 1 - Anchor Clips

Locate and fasten 8" (203 mm) wide anchor clips at 2'-0" (610 m) O.C. as shown using #9 X 1 1/2" (38 mm) stainless steel fasteners provided.



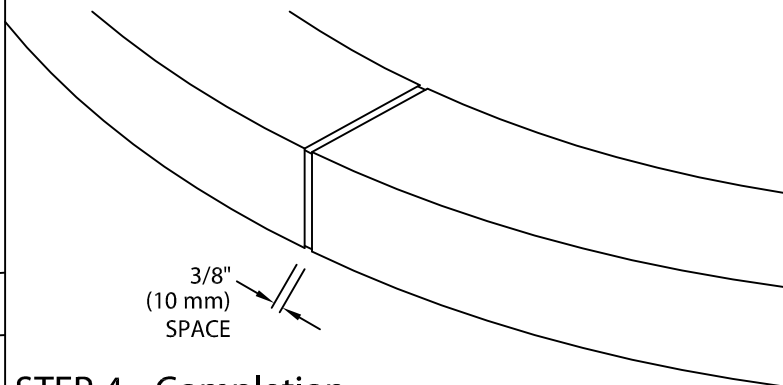
STEP 2 - Splice Plates

Remove release paper from left two sealant strips. Insert splice plate into the right end of radius section.



STEP 3 - Coping Cover

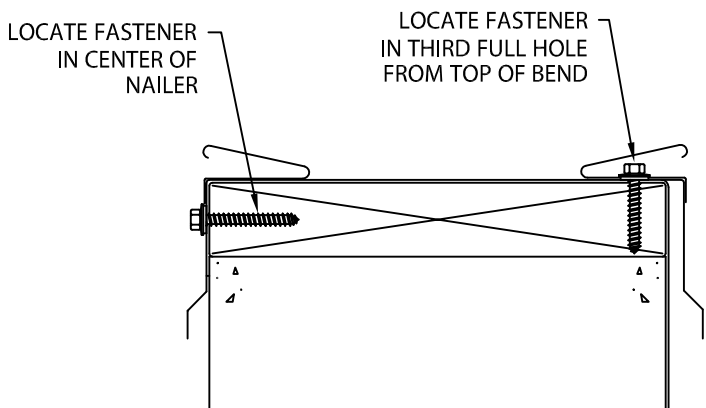
Remove release paper from right two factory applied sealant strips on the splice plate in the coping section. Install 4'-0" (1.22 m) radius coping sections from left to right. Place coping into position and press downward until snap-lock occurs.



STEP 4 - Completion

Continue installing coping with a 3/8" (10 mm) space at splice joints to allow for thermal expansion. Field cut where necessary using a fine tooth hacksaw or snips.

NOTE: REMOVE PROTECTIVE FILM IMMEDIATELY.



ANCHOR CLIP FASTENING - DETAIL A

TYPICAL COPING INSTALLATION

