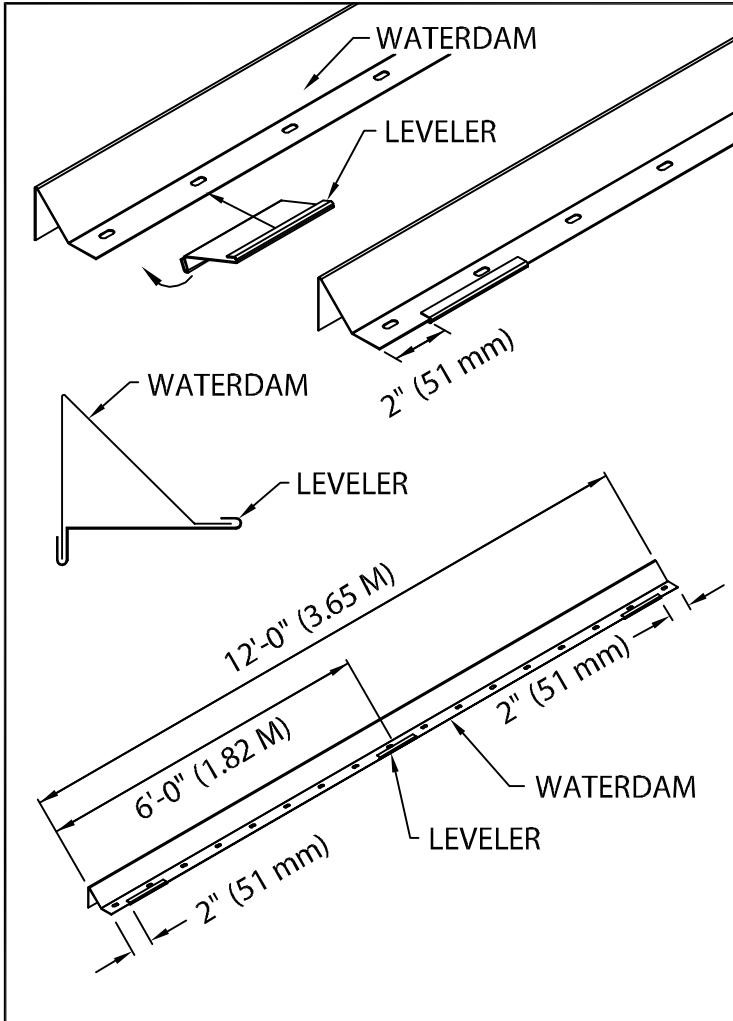


# DOW CANTED OR EXTENDED CANTED FASCIA

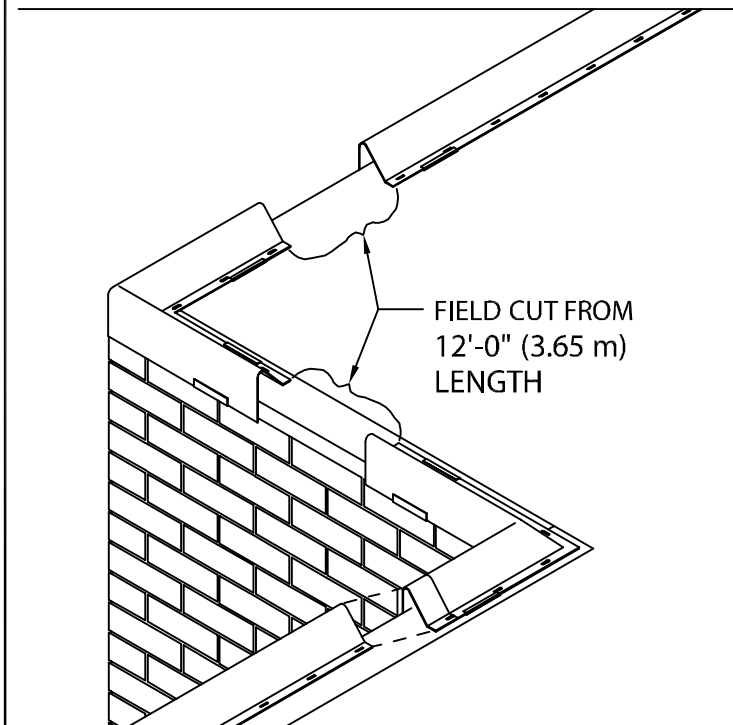
GALVANIZED WATERDAM VERSION

## INSTALLATION INSTRUCTIONS



### 1. WATERDAM & LEVELER

POSITION LEVELER 2" (51 mm) FROM END OF WATERDAM, HOOKING ONTO WATERDAM AND ROTATING INTO PLACE AS SHOWN. DO THE SAME AT THE OTHER END OF 12'-0" (3.65 m) LENGTH OF WATERDAM. ALSO PLACE A LEVELER IN CENTER OF 12'-0" (3.65 m) LENGTH (3 LEVELERS PER 12'-0" (3.65 m) LONG WATERDAM). DO THE SAME FOR MITERS, 2" (51 mm) FROM END OF WATERDAM (2 LEVELERS PER MITER).



### 2. WATERDAM

LOCATE AND INSTALL WATERDAM MITERS, NAILING THROUGH PRE-SLOTTED FASTENING HOLES ON TOP OF NAILER(S). DETERMINE AND IDENTIFY LOCATIONS OF SCUPPERS AT THIS TIME. LEAVE GAP OF 14 1/2" (368 mm) FOR SCUPPER LOCATIONS. NEXT, INSTALL 12'-0" (3.65 m) SECTIONS OF WATERDAM FROM RIGHT TO LEFT (AS SEEN FROM ROOF TOP) BY NAILING THROUGH PRE-PUNCHED HOLES PROVIDED ON TOP OF NAILER(S). BE SURE TO OVERLAP WATERDAM 1" (25 mm).

**NOTE:** PROVIDED WATERDAM FASTENER: 1 1/4" (32 mm) RING SHANK GALVANIZED ROOFING NAILS.

**CAUTION:** INSTALLERS SHALL WEAR PROTECTIVE EYEWEAR TO PREVENT SERIOUS INJURY.



ROOFING SYSTEMS

P: 800-621-ROOF

DATE: 03/02/12

DRN BY: JJC

CKD BY: SAK

SHT.# 1 OF 5

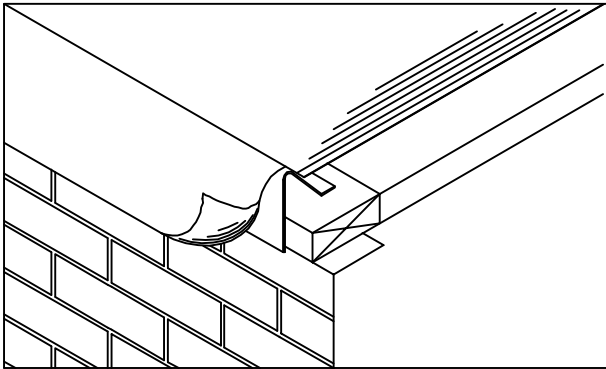
DWG# 12110-2947

I

# DOW CANTED OR EXTENDED CANTED FASCIA

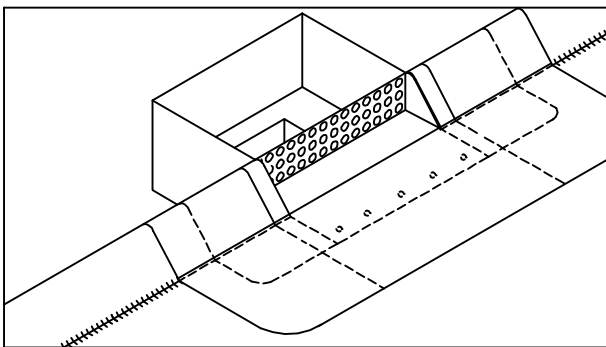
GALVANIZED WATERDAM VERSION

INSTALLATION INSTRUCTIONS



### 3. ROOFING MEMBRANE

FOLLOW GENERAL RECOMMENDATIONS OF DOW ROOFING SYSTEMS APPLICATION OF MATERIALS OVER THE ROOF EDGE.



### 4. SCUPPERS

INSTALL SPILLOUT OR DOWNSPOUT SCUPPERS (IF APPLICABLE) AT PREDETERMINED LOCATIONS.

**NOTE:** DOW ROOF MEMBRANE IS INSTALLED UNDER SCUPPER. SCUPPER FLANGE IS SET IN A CONTINUOUS BEAD OF DOW ALL-PURPOSE SEALANT.

**NOTE:** FOLLOW GENERAL RECOMMENDATIONS OF DOW ROOFING SYSTEMS APPLICATION ON STRIPPING IN THE SCUPPER.



**ROOFING SYSTEMS**

P: 800-621-ROOF

DATE: 03/02/12

DRN BY: JJC

CKD BY: SAK

SHT.# 2 OF 5

DWG# 12110-2947

|

# DOW CANTED OR EXTENDED CANTED FASCIA

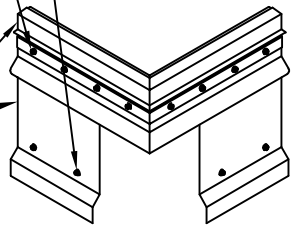
GALVANIZED WATERDAM VERSION

## INSTALLATION INSTRUCTIONS

**IMPORTANT!**  
CLEAT MUST  
BE HOOKED  
INTO MITER  
BAR BEFORE  
INSTALLING!

#9 x 2" (51 mm) STAINLESS STL. SCREW  
1/4" (6 mm) x 1 1/4" (32 mm)  
WOOD/MASONRY SCREW

MITER CLEAT  
FLUSH TO OUTSIDE  
EDGE OF MITER BAR



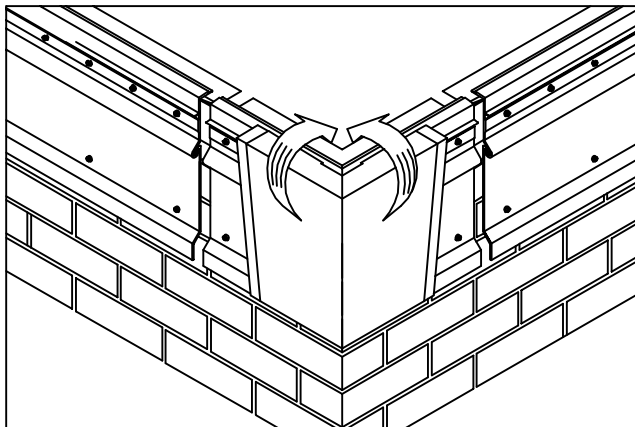
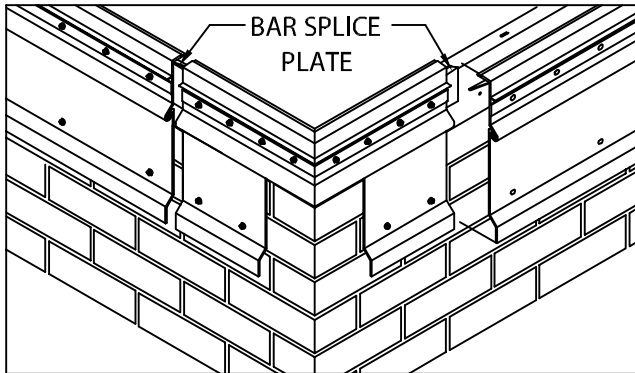
### 5. MITER BAR & MITER CLEAT INSTALLATION

HOOK MITER CLEAT PIECES TO MITER BAR. FLUSH ENDS OF MITER CLEAT PIECE AND MITER BAR. INSTALL MITER ASSEMBLY WITH ONE ANCHOR BAR SPLICE PLATE UNDER EACH END OF MITER BAR. FASTEN THE MITER BAR USING 2" (51 mm) HEX HEAD STAINLESS STEEL FASTENERS. FASTENERS AND DRIVE BITS PROVIDED BY DOW ROOFING SYSTEMS. NEXT LOCATE AND INSTALL THE SPILLOUTS AND SCUPPERS WITH FASTENERS AND SPLICE PLATES.

### 6. ANCHOR BAR & CLEAT INSTALLATION

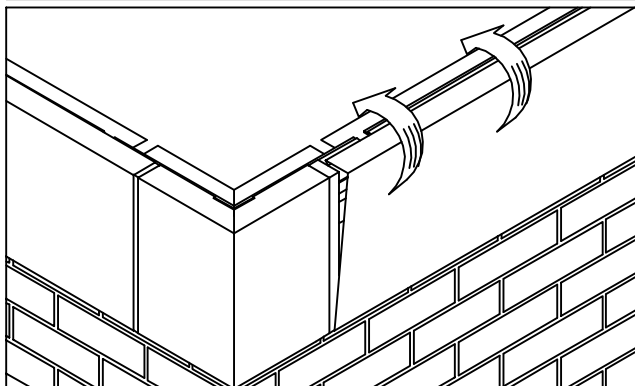
HOOK ANCHOR CLEAT TO ANCHOR BAR AS SHOWN IN STEP 4. POSITION 12'-0" (3.65 m) ANCHOR BAR/CLEAT SECTIONS OVERLAPPING BAR SPLICE PLATE. ALLOW 3/8" (10 mm) SPACE BETWEEN ANCHOR BARS. INSTALL BAR SPLICE PLATE AT OTHER END OF BAR/CLEAT SECTION. FASTEN ANCHOR BAR 12" (305 mm) O.C. THROUGH THE SLOTTED HOLES USING PROVIDED 2" (51 mm) FASTENERS. FASTEN ANCHOR CLEAT 24" (610 mm) O.C. THROUGH SLOTTED HOLES USING PROVIDED 1 1/4" (32 mm) FASTENERS. FIELD CUT SECTIONS AS IS NECESSARY.

BAR SPLICE  
PLATE



### 7. FASCIA MITERS COVERS

INSTALL MITER COVERS FIRST. INSERT ONE SPLICE PLATE UNDER EACH END OF THE MITER COVER. INSTALL MITER COVERS BY ENGAGING MITER COVER ONTO ANCHOR CLEAT AND ROTATING MITER COVER UP AND OVER ANCHOR BAR MITER UNTIL ENGAGED ALONG ENTIRE LENGTH OF THE ANCHOR BAR.



### 8. FASCIA COVERS

INSTALL 12'-0" (3.65 m) FASCIA COVER SECTIONS. ALLOW A 3/8" (10 mm) GAP BETWEEN FASCIA COVER SECTIONS. INSERT ONE SPLICE PLATE UNDER FAR END OF EACH FASCIA COVER SECTION. INSTALL COVER BY HOOKING LOWER EDGE OF COVER ONTO ANCHOR CLEAT AND ROTATING UP AND OVER ANCHOR BAR UNTIL ENGAGED ALONG ENTIRE LENGTH OF COVER SECTION. CONTINUE TO INSTALL COVER SECTIONS IN THIS MANNER, FIELD CUTTING WHERE NECESSARY USING A FINE TOOTH HACKSAW.

**IMPORTANT !**

BE SURE TO REMOVE PROTECTIVE FILM  
PRIOR TO INSTALLING EACH FASCIA SECTION.



ROOFING SYSTEMS

P: 800-621-ROOF

DATE: 03/02/12

DRN BY: JJC

CKD BY: SAK

SHT.# 3 OF 5

DWG# 12110-2947

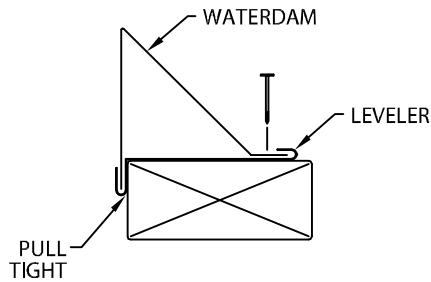
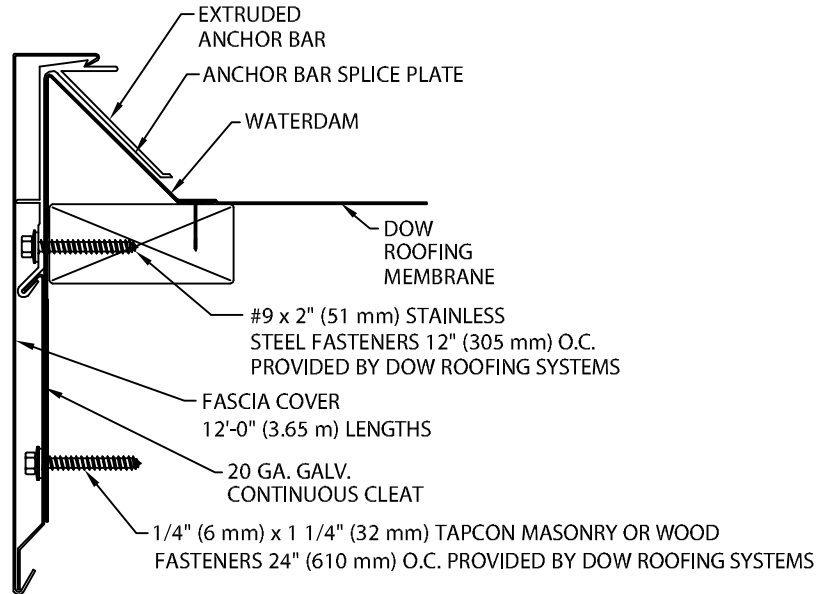
1

# DOW CANTED OR EXTENDED CANTED FASCIA

GALVANIZED WATERDAM VERSION

INSTALLATION INSTRUCTIONS

## TYPICAL INSTALLATION



WATERDAM MUST BE PULLED TIGHT TO THE OUTSIDE FACE OF THE BUILDING BEFORE NAILING THE ROOF FLANGE.

U.S. Patent # 7,451,572



ROOFING SYSTEMS

P: 800-621-ROOF

DATE: 03/02/12

DRN BY: JJC

CKD BY: SAK

SHT.# 4 OF 5

DWG# 12110-2947

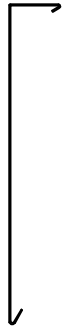
I

# DOW CANTED OR EXTENDED CANTED FASCIA

GALVANIZED WATERDAM VERSION

## INSTALLATION INSTRUCTIONS

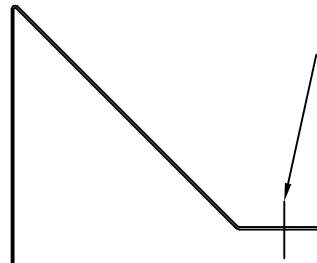
### COMPONENT LIST



Fascia Cover  
12'-0" (3.65 M) Lengths

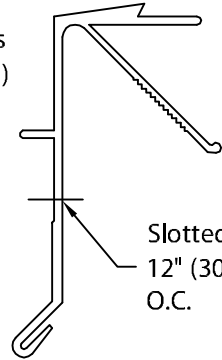


Cover Splice Plate  
3½" (89 mm) Wide



Waterdam  
12'-0" (3.65 m) Lengths

Slotted Holes  
12" (305 mm)  
O.C.



Extruded Anchor Bar  
12'-0" (3.65 m) Lengths

Slotted Holes  
12" (305 mm)  
O.C.

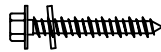


Continuous Anchor Cleat  
12'-0" (3.65 m) Lengths

Slotted Holes  
24" (610 mm) O.C.



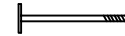
Leveler  
4" (102 mm) Wide



1/4" (6 mm) x 1 1/4" (32 mm)  
Masonry/Wood Screw w/ washer  
for installing Anchor Cleat



#9 x 2" (51 mm)  
Wood/Metal Screw w/ washer  
for installing Anchor Bar

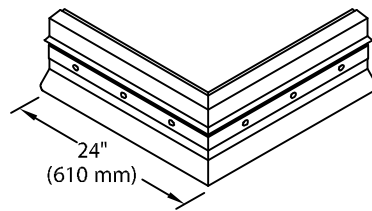


1 1/4" (32 mm) Ring Shank Nail  
for installing Waterdam

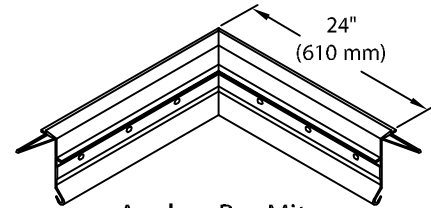


Anchor Bar Splice  
3½" (89 mm) Wide

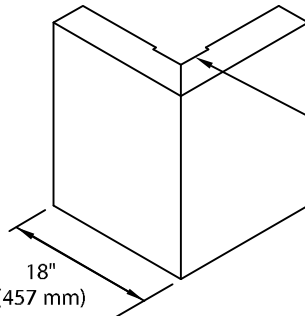
Bump out to  
Prevent Migration



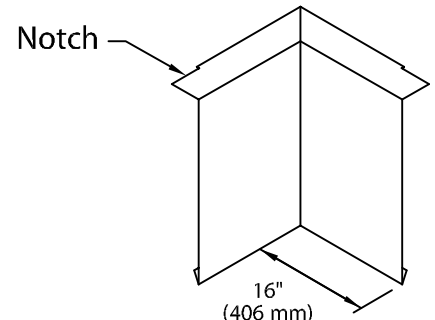
Anchor Bar Miter  
Outside



Anchor Bar Miter  
Inside



Fascia Cover  
Outside Miter



Fascia Cover  
Inside Miter

Anchor Cleat for Miters  
(2) 14" (356 mm) Long pcs. per miter



ROOFING SYSTEMS

P: 800-621-ROOF

DATE: 03/02/12

DRN BY: JJC

CKD BY: SAK

SHT.# 5 OF 5

DWG# 12110-2947

1