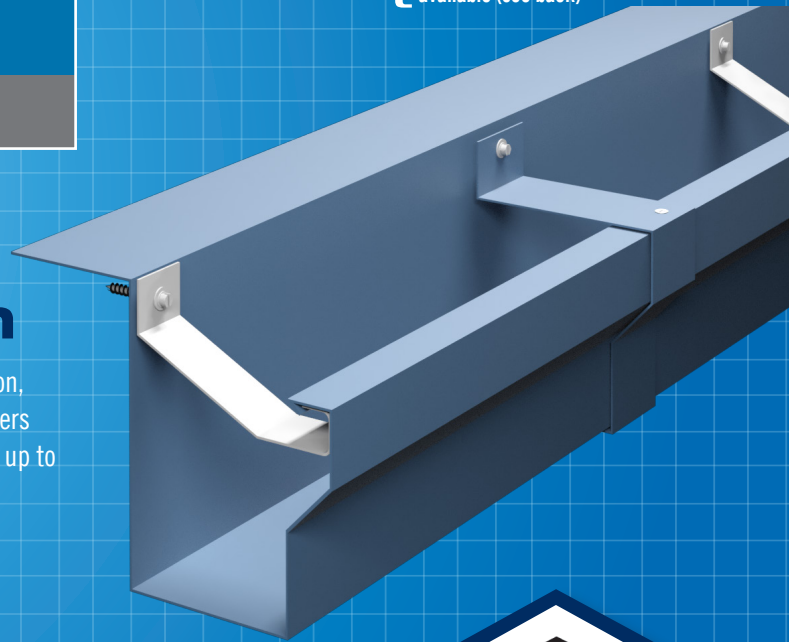


Seal-Tite Gold

GT-1 Rated Gutters

The Industrial Gutter System that **Weathers the Storm**

Seal-Tite Gold Industrial Gutters are top-of-the-line, offering easy installation, outstanding performance and an attractive appearance. Seal-Tite Gold Gutters are FM approved and comply with the ANSI/SPRI GT-1 Design Standard with up to 210 lbs/ sq ft. They include color matched external gutter strap for added support and a cleaner finish.



IGG-1 Version

{ Additional versions available (see back)

▶ Try Seal-Tite's quick-to-ship products and see how Metal-Era can help to deliver your project **ON TIME AND ON BUDGET.**



High Quality

- ▶ Carefully designed and ANSI/SPRI GT-1 tested and FM Approved
- ▶ Factory fabricated accessories eliminate need for field fabrication and provided cleaner finish for project
- ▶ Backed by a 30 year, 160 mph Wind Warranty
- ▶ Manufactured in 4 profiles

Economical

- ▶ Decreased labor costs due to easy installation
- ▶ Higher overall profit on your construction projects

Easy Installation

- ▶ Adapts easily to optional drainage bars or flow through gravel stops
- ▶ Manufactured in 12' lengths for faster installation and fewer seams/ joints
- ▶ Pre-slotted holes ensure proper attachment to building substrate, enabling easier installation and accommodates the thermal expansion/contraction of the gutter
- ▶ Fasteners and pop rivets included
- ▶ Splice plates for ease of installation and more aesthetic joints
- ▶ Pre-slotted, heavy aluminum gutter strap design Seal-Tite Gold Gutters eliminate need for drilling & riveting



With Metal-Era's SPEQ promise of speed, protection, expertise and quality, you are assured that Seal-Tite is backed with quality and service guarantees.

800-558-2162
www.metalera.com

Seal-Tite Gold

GT-1 Rated Gutters

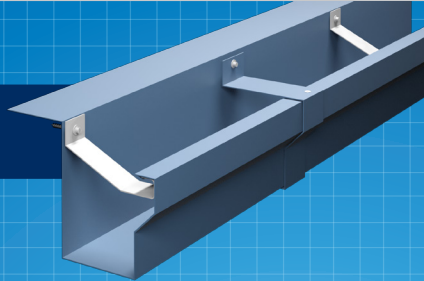


800-558-2162
www.metalera.com

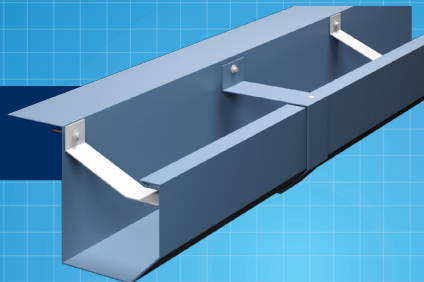
1600 Airport Road, Waukesha WI 53188
f: 800-373-9156 • info@metalera.com

Additional Seal-Tite Gutter Versions:

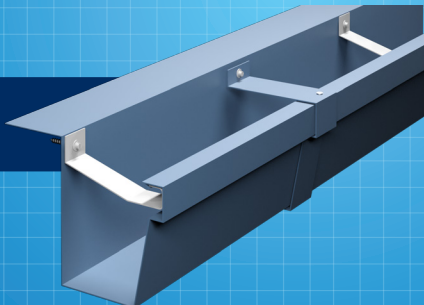
IGG-1 Version*



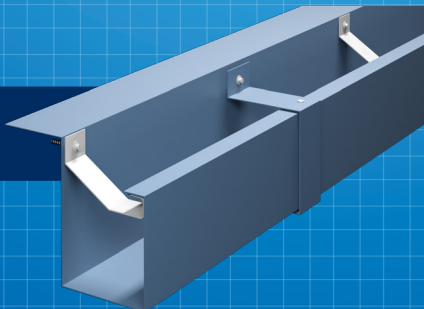
IGG-2 Version*



IGG-3 Version



IGG-B Version*



**Custom profiles
available**

*FM Approval Applies to IGG-1, IGG-2, IGG-B

Quick Shipping in 11 Express Colors

Standard and custom finishes are also available to meet your needs. Our finishes are made of Valspar's Fluropon® high performance Hylar 5000®/Kynar 500® finish and include a 30-year warranty. For the most accurate color representation, contact us to request a paint chip.

Call us at 800-558-2162 for lead times on your next project.



Available Materials

- ▶ 24 GA. Galvanized Steel
- ▶ .040" Aluminum
- ▶ .050" Aluminum
- ▶ .063" Aluminum



Metal-Era, Inc. is a Minority Business Enterprise and a member of the National Minority Supplier Development Council. Download Minority Business certificates for your region at www.metalera.com.

©2017. All statements herein are expressions of opinion, which by performance and testing are believed to be accurate and reliable, but are presented without guarantee or responsibility on our part. Statements concerning possible use of our products are made without any knowledge that such recommended uses may infringe any patent. No warranty, express or implied, other than that described in this literature, is made or intended. Kynar 500® is a registered trademark belonging to Arkema Inc.