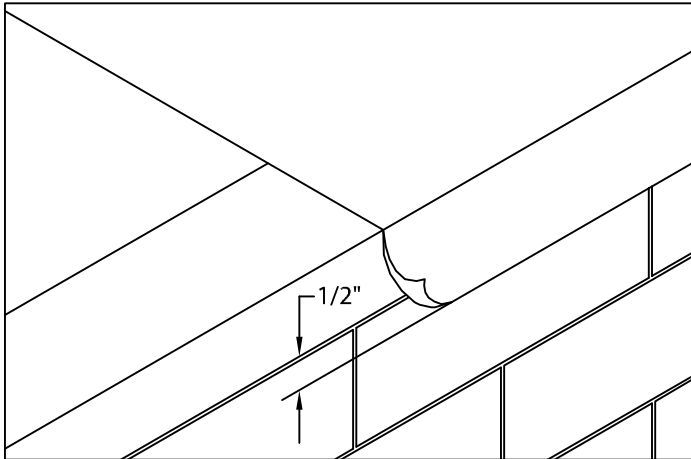




SOPRA-EDGE SENTINEL FASCIA

FULLY ADHERED OR MECHANICALLY ATTACHED SINGLE-PLY VERSION

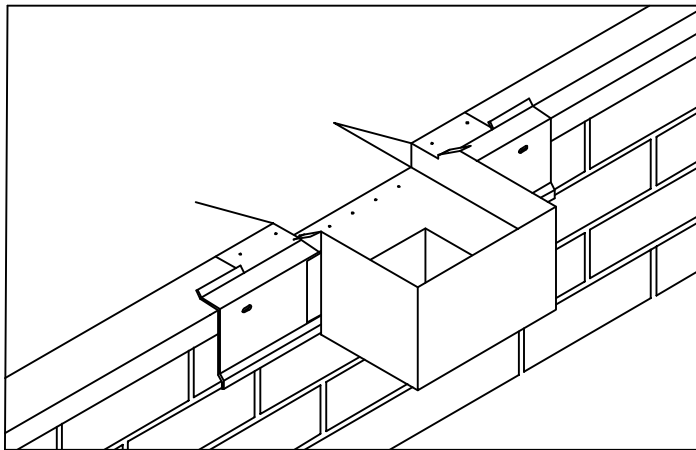
LAP JOINT VERSION INSTALLATION INSTRUCTIONS



1. Roof Membrane

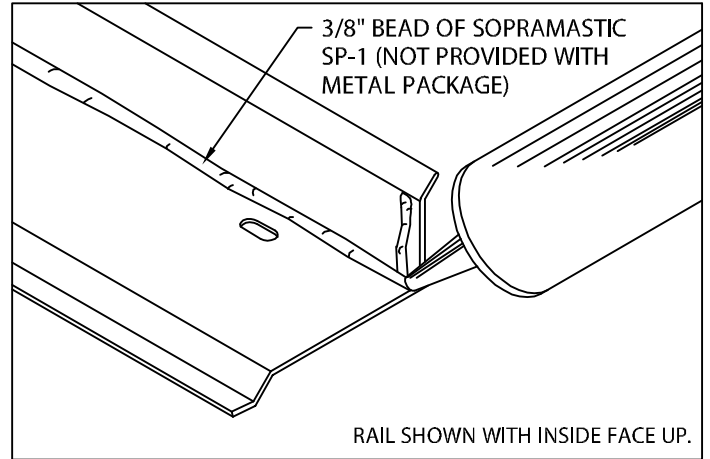
Position membrane over the roof edge and down outside face of wall, covering wood nailer(s) completely. Allow 1/2" excess membrane.

IMPORTANT! Outside edge of wood nailer(s) (minimum 2 x 4) shall be aligned flush with or extend slightly past outermost edge of wall.



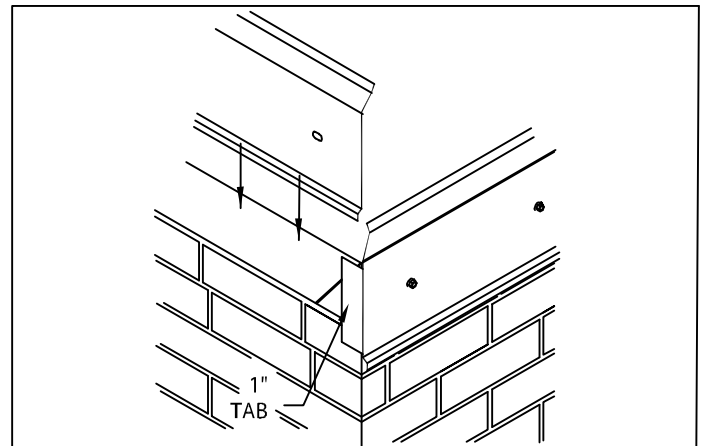
3. Scupper Installation

Next locate and install spillouts and scuppers with sealant & fasteners.



2. Miter & Scupper Base Rail (Preparation)

Lay miters and spillout scuppers on deck with outside face down. Be sure aluminum base rail is clean and free of dirt or dust. Apply a heavy 3/8" bead of SOPRAMASTIC SP-1 sealant (not provided with metal package) to the right angle intersection of the deck flange and back of base rail as shown. Application of sealant is required along the full length of each miter base rail. Apply a similar 3/8" bead of sealant to the flange's left end, as you look at the outside face of the rail section.



4. Base Rail Miter Installation

See sheet 3 for miter fabrication. Fold roofing membrane at corners and install miters using fasteners and driver bit provided by SOPREMA. Next locate and install spillouts and scuppers with mastic & fasteners.



800-356-3521
www.soprema.us

310 Quadral Dr.
Wadsworth, OH 44281
f: 330-334-6257

DATE: 04/05/17
DRN BY: JJC
CKD BY: SAK

SHT.# 1 OF 4
DWG# 33110-22371

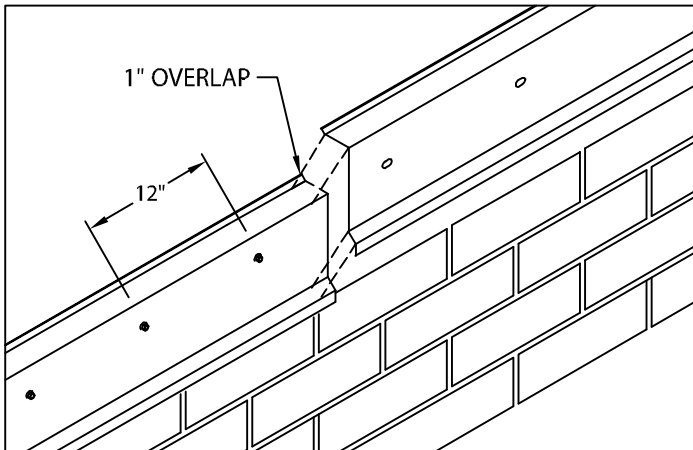
E



SOPRA-EDGE SENTINEL FASCIA

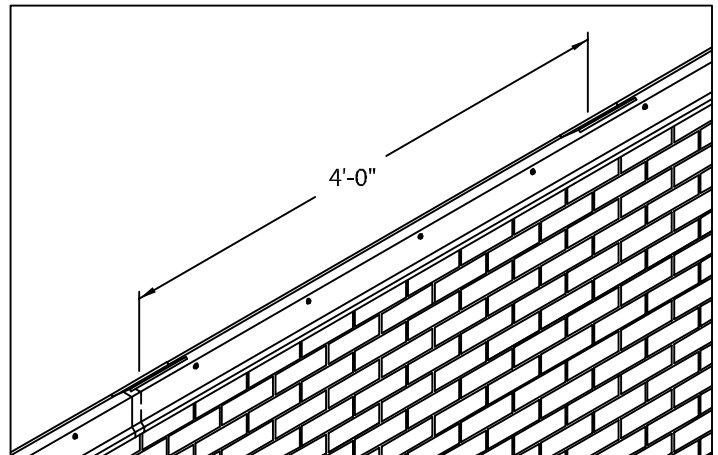
FULLY ADHERED OR MECHANICALLY ATTACHED SINGLE-PLY VERSION

LAP JOINT VERSION INSTALLATION INSTRUCTIONS



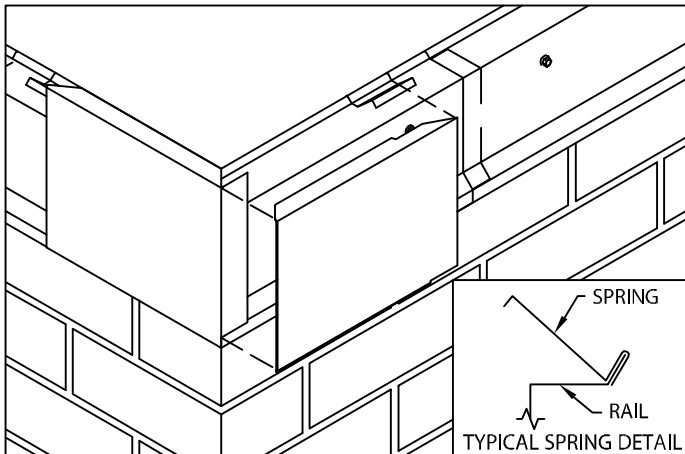
5. Base Rail Installation

Install 12'-0" sections of base rail from right to left as seen from roof top, lapping the previous section 1". Fasten base rail to nailer(s) through base rail slots 12" o.c. with provided fasteners. Field cut the base rail sections as needed.



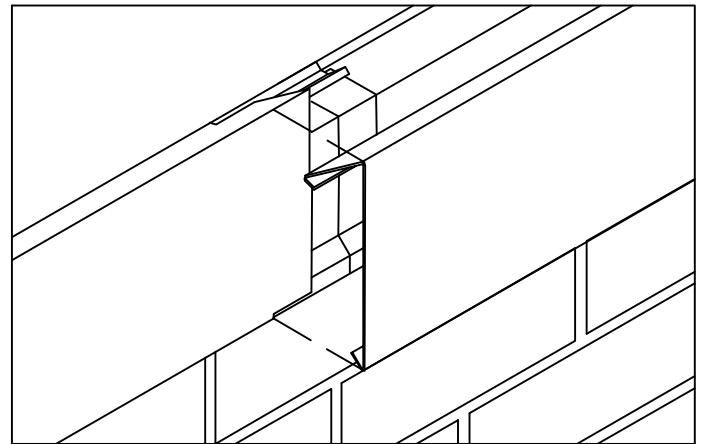
6. Spring Clips

Position 6" wide stainless steel spring clips at 4'-0" O.C. locating at fascia cover ends and at the midspan.



7. Fascia Miter Covers

Position (2) 6" wide stainless steel springs at each end of fascia miter cover. Install 2-piece "snap-on" fascia miter covers first by snapping on fascia corner miter with 90° (degree) tab, followed by fascia cover without the tab. Simply position the cover atop rail and with palm of hand apply slight pressure downward until engaged to base rail.



8. Fascia Covers

Position 12'-0" fascia covers on top of base rail and overlap preceding panel at a minimum of 1" at notches provided. Fascia covers shall be installed from right to left as seen from rooftop. With fascia covers in correct position atop base rail, simply snap each section onto base rail by applying downward pressure with palm of the hand until the fascia cover is fully engaged along the entire length. Continue to install fascia covers, field cutting where necessary using fine tooth hacksaw.

IMPORTANT! Be sure to remove protective plastic film prior to installing each fascia section.



800-356-3521
www.soprema.us

310 Quadral Dr.
Wadsworth, OH 44281
f: 330-334-6257

DATE: 04/05/17

DRN BY: JJC

CKD BY: SAK

SHT.# 2 OF 4

DWG# 33110-22371

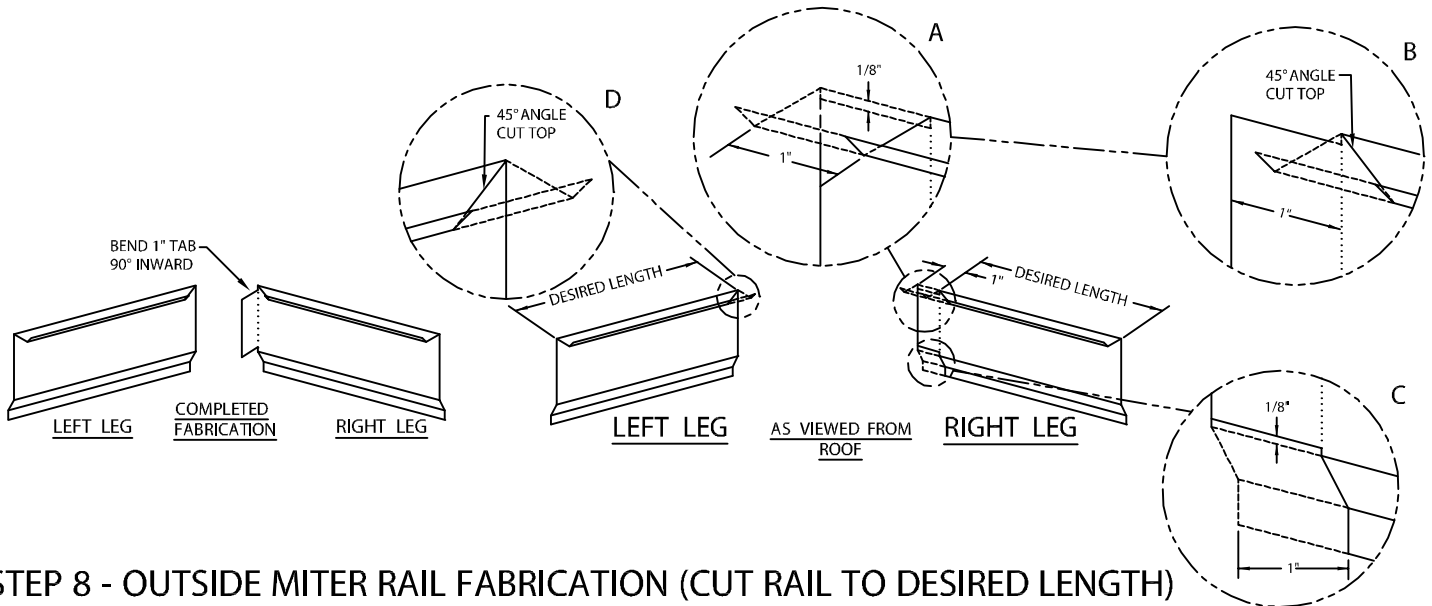
E



SOPRA-EDGE SENTINEL FASCIA

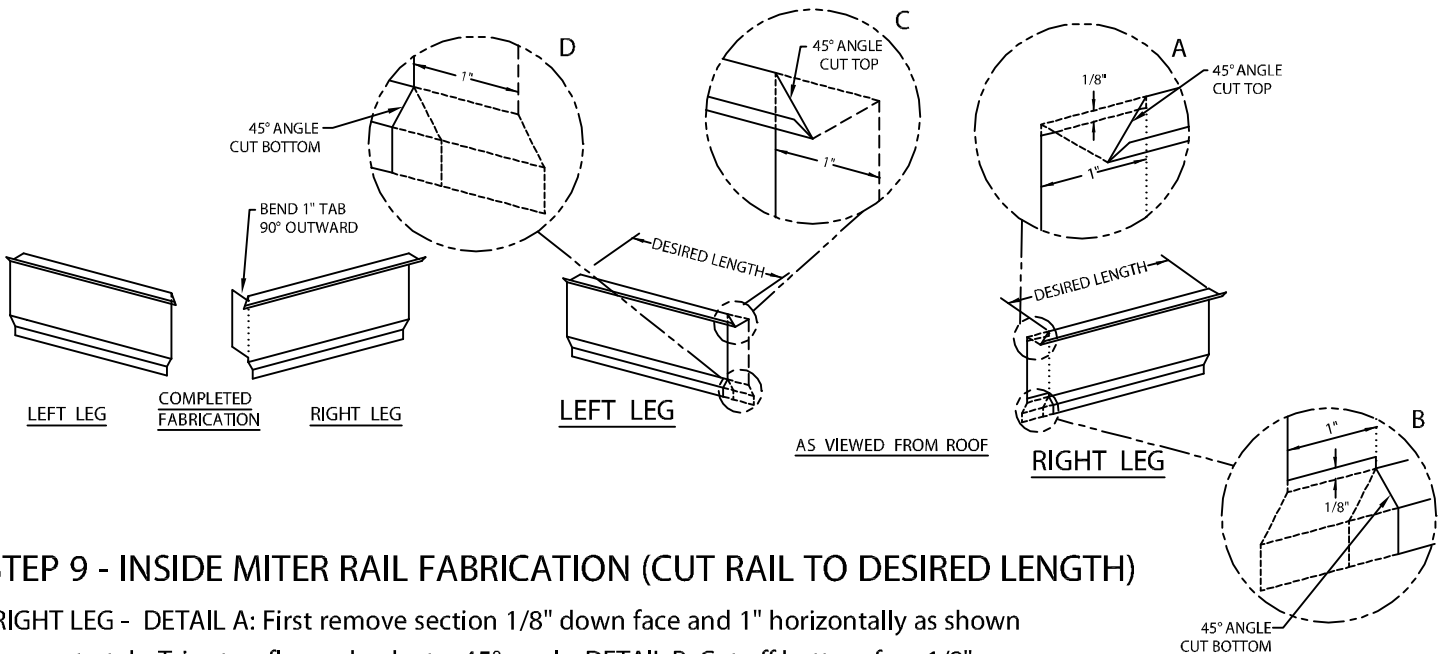
FULLY ADHERED OR MECHANICALLY ATTACHED SINGLE-PLY VERSION

LAP JOINT VERSION INSTALLATION INSTRUCTIONS



STEP 8 - OUTSIDE MITER RAIL FABRICATION (CUT RAIL TO DESIRED LENGTH)

RIGHT LEG - DETAIL A: First remove a 1" section from top flange, 1/8" down face and 1" horizontally as shown to create tab. DETAIL B: Cut top flange at 45° angle.
 DETAIL C: Cut off bottom face at a 1/8" x 1" as shown and continue through area shown on bottom flange. Bend tab inwards 90°.
 LEFT LEG - DETAIL D: Trim top flange at a 45° angle.



STEP 9 - INSIDE MITER RAIL FABRICATION (CUT RAIL TO DESIRED LENGTH)

RIGHT LEG - DETAIL A: First remove section 1/8" down face and 1" horizontally as shown to create tab. Trim top flange back at a 45° angle. DETAIL B: Cut off bottom face 1/8" as shown and continue cut at a 45° through area shown on bottom flange. Bend tab inwards 90°.
 LEFT LEG - DETAIL C: Cut top flange at a 45° angle. Continue down face. DETAIL D: Cut bottom flange at 45° angle as shown.



800-356-3521
www.soprema.us

310 Quadral Dr.
Wadsworth, OH 44281
f: 330-334-6257

DATE: 04/05/17
DRN BY: JJC
CKD BY: SAK

SHT.# 3 OF 4
DWG# 33110-22371

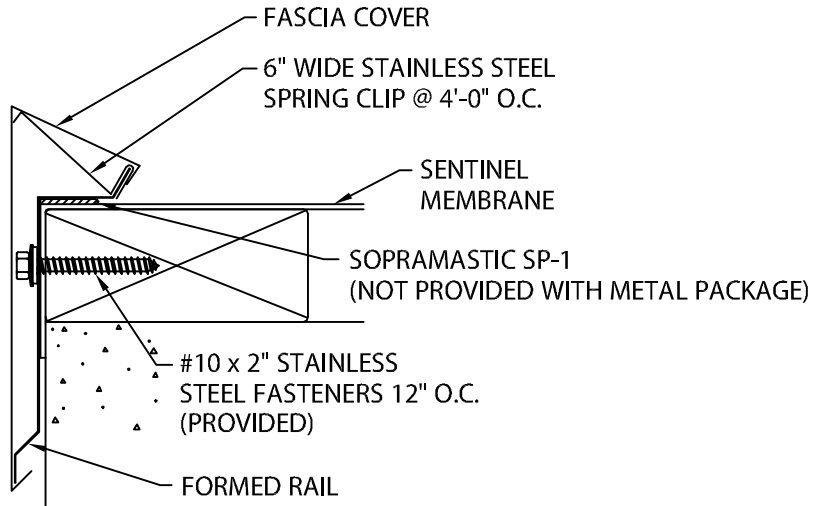
E



SOPRA-EDGE SENTINEL FASCIA

FULLY ADHERED OR MECHANICALLY ATTACHED SINGLE-PLY VERSION
LAP JOINT VERSION INSTALLATION INSTRUCTIONS

TYPICAL INSTALLATION



800-356-3521
www.soprema.us

310 Quadral Dr.
Wadsworth, OH 44281
f: 330-334-6257

DATE: 04/05/17
DRN BY: JJC
CKD BY: SAK

SHT.# 4 OF 4

DWG# 33110-22371

E