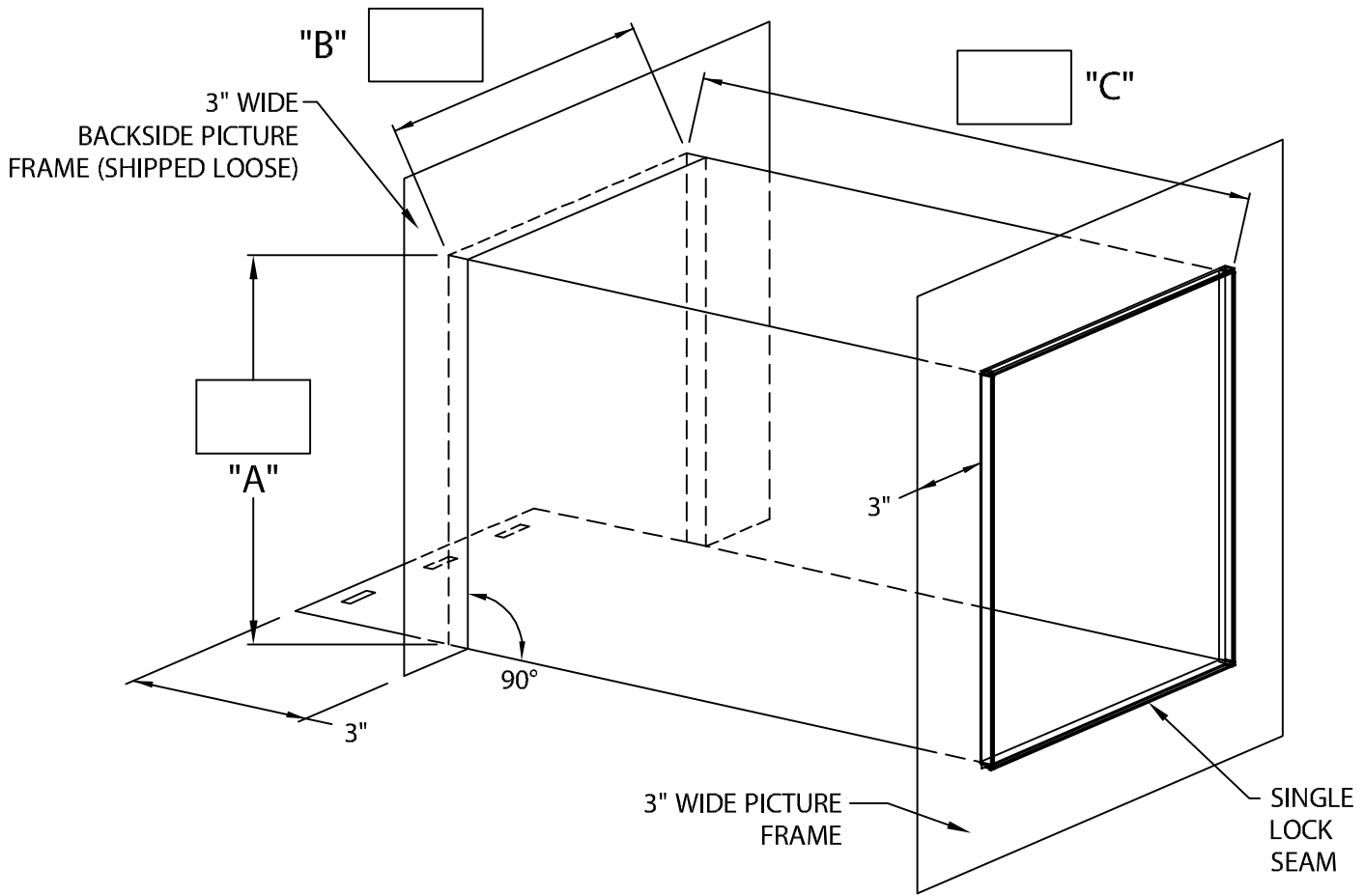


THRU-WALL SCUPPER



Fabrication will proceed only after receipt of signed print approval.

Print Approval:

Architect and/or contractor shall verify all dimensions, sizes and quantities. All products to be installed in strict accordance with Metal-Era's printed instructions.

Approved by: _____

Date: _____

MATERIAL:

___ 24 Ga. (.65 mm) Galv.

___ .040" (1.01 mm) Alum.

___ .050" (1.27 mm) Alum.

Color: _____

Finish: _____

QUANTITIES:

_____ Amount Required

PROJECT:

ARCHITECT:

ROOFING CONTRACTOR:

REPRESENTATIVE/DISTRIBUTOR:

Corporate Offices, Manufacturing
1600 Airport Road; Waukesha, WI 53188
Phone: 800-558-2162
Fax: 800-373-9156
www.metalera.com



DATE: 07/25/05

DRN BY: JJC

CKD BY: SAK

SHT.# ____ OF ____

DWG# 11018-1292

A