

ONE COPING

Existing Slope Version

QUICK SHIPPING IN 15 EXPRESS COLORS

Measurements

_____ Inside Face
 _____ Coping Top
 _____ Outside Face

Quantities (See Price List for Costs)

_____ Lineal Feet in 12' 0" lengths
 _____ Outside Miters _____°
 _____ Inside Miters _____°

Colors (Choose One)

- | | | | |
|---------------------------------------|---|--|--|
| <input type="checkbox"/> Almond | <input type="checkbox"/> Mansard Brown | <input type="checkbox"/> Silver Metallic | |
| <input type="checkbox"/> Bone White | <input type="checkbox"/> Roman Bronze | <input type="checkbox"/> Slate Gray | |
| <input type="checkbox"/> Cityscape | <input type="checkbox"/> Sandstone | <input type="checkbox"/> Stone White | |
| <input type="checkbox"/> Colonial Red | <input type="checkbox"/> Sherwood Green | (.040"only) | |
| <input type="checkbox"/> Dark Bronze | <input type="checkbox"/> Sierra Tan | <input type="checkbox"/> Mill | |
| | | <input type="checkbox"/> Clear Anodized | |

SHIPPING VARIES WITH NON-STANDARD COLORS

PLEASE CALL FOR LEAD TIME

Measurements

_____ Inside Face
 _____ Coping Top
 _____ Outside Face

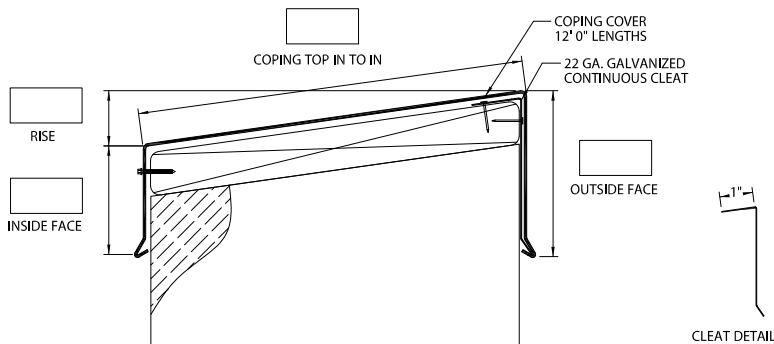
Quantities (See Price List for Costs)

_____ Lineal Feet in 12' 0" lengths
 _____ Outside Miters _____°
 _____ Inside Miters _____°

Colors (Choose One)

- | | | |
|--|---------------------------------------|---|
| <input type="checkbox"/> Brandywine | <input type="checkbox"/> Matte Black | <input type="checkbox"/> Terra Cotta |
| <input type="checkbox"/> Charcoal Gray | <input type="checkbox"/> Patina Green | <input type="checkbox"/> Tropical Patina |
| <input type="checkbox"/> Dark Ivy | <input type="checkbox"/> Regal Blue | |
| <input type="checkbox"/> Ex. Dark Bronze | <input type="checkbox"/> Regal Red | Premiums |
| <input type="checkbox"/> Hartford Green | <input type="checkbox"/> Sky Blue | <input type="checkbox"/> Classic Copper |
| <input type="checkbox"/> Hemlock Green | <input type="checkbox"/> Teal | <input type="checkbox"/> Champagne Metallic |

ONE COPING
 EXISTING SLOPE VERSION



Notes/Special Instructions:

Approval Signature

Date

NOTE: Pricing subject to change.

Date: _____

Company: _____

Address: _____

City/State/Zip: _____

Phone: _____

Fax: _____

PO #: _____

Ship To: _____

Job Name: _____

Shipping Address: _____

City/State/Zip: _____

CTC/Contact: _____