



# FIRESTONE RADIUS RAIL FASCIA

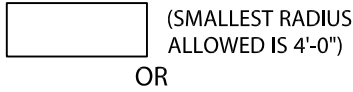
FULLY ADHERED OR MECHANICALLY ATTACHED RUBBERGARD OR ULTRAPLY VERSION

24 GA., 22 GA. AND .040" COVER MATERIAL

**IMPORTANT!!!** MUST INDICATE PROPER RADIUS CONDITION BY CIRCLING APPROPRIATE OUTSIDE FACE

**PROVIDING A RADIUS**  
THE RADIUS MAY BE PROVIDED IN ONE OF TWO METHODS:

1.) THE ACTUAL KNOWN RADIUS IS

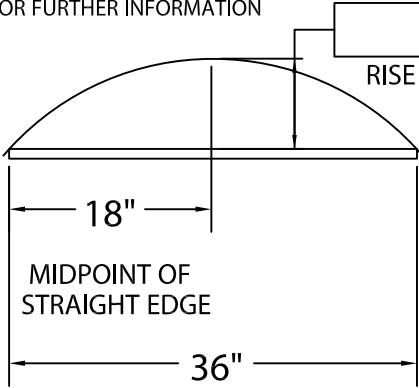


OR

2.) FIELD CONDITION MEASUREMENTS

NOTE: REFER TO ATTACHED WORKSHEET FOR FURTHER INFORMATION

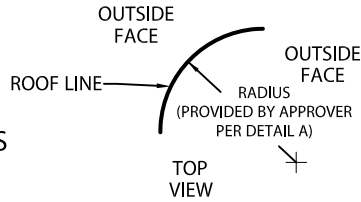
(MAX. RISE ALLOWED IS 3 1/2" ON 36" CHORD)



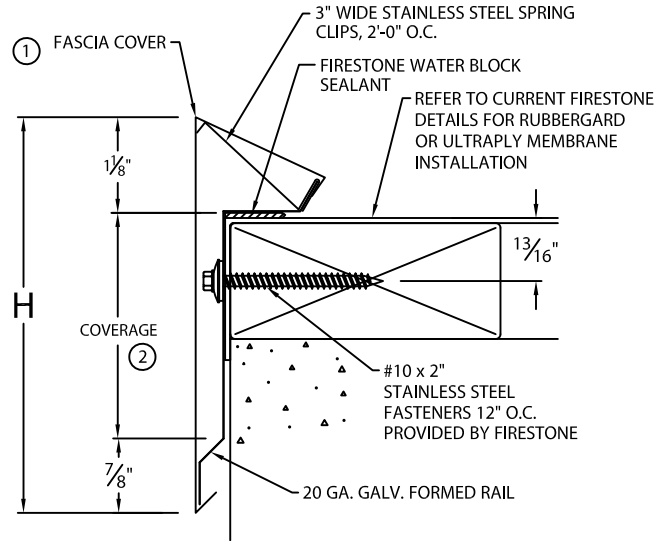
LENGTH OF STRAIGHT EDGE

NOTE: CHECK MEASUREMENTS ALONG ENTIRE RADIUS.

DETAIL A



RADIUS FASCIA



----- INDICATES AREA TO BE SLIT TO FORM RADIUS  
OVER 150'-0" RADIUS = NO SLITS  
30'-0" - 150'-0" RADIUS = SLITS 12" O.C.  
16'-0" - 30'-0" RADIUS = SLITS 6" O.C.  
8'-0" - 16'-0" RADIUS = SLITS 3" O.C.  
4'-0" - 8'-0" RADIUS = CUSTOM SLITS 3" O.C.

RADIUS FORMED RAIL

## NOTES:

- ① FASCIA COVER PROVIDED WITH 1" LAP JOINT
- ② TYPICALLY COVERAGE SHOULD EXTEND A MIN. OF 1" BELOW WOOD BLOCKING IF APPLICABLE.

## FASCIA DIMENSIONS

PRODUCT ID. NO.	H DIM	COVERAGE
<input type="checkbox"/> ESE-S40	4"	2"
<input type="checkbox"/> ESE-S50	5"	3"
<input type="checkbox"/> ESE-S65	6 1/2"	4 1/2"
<input type="checkbox"/> ESE-S80	8"	6"

Fabrication will proceed only after receipt of signed print approval.

## Print Approval:

Architect and/or contractor shall verify all dimensions, sizes and quantities. All products to be installed in strict accordance with Firestone's printed instructions.

Approved by: \_\_\_\_\_

Date: \_\_\_\_\_

## MATERIAL:

- \_\_\_ 24 Ga. Galv. Steel
- \_\_\_ 22 Ga. Galv. Steel
- \_\_\_ .040" Aluminum
- \_\_\_ OTHER \_\_\_\_\_

Color: \_\_\_\_\_

Finish: \_\_\_\_\_

## QUANTITIES:

\_\_\_\_\_ Lineal Feet 12'-0" Lengths  
Cover and Rail Supplied in 12'-0" Lengths for 16'-0" radius or greater.  
Cover and Rail Supplied in 6'-0" Lengths for radius less than 16'-0".

PROJECT:

ARCHITECT:

ROOFING CONTRACTOR:

REPRESENTATIVE/DISTRIBUTOR:



EDGE GARD SYSTEMS  
PHONE: 800-872-0203  
FAX: 800-770-3934

DATE: 11/13/18

DRN BY: JJC

CKD BY: SAK

SHT.# \_\_\_ OF \_\_\_

DWG# 13010-19800 |