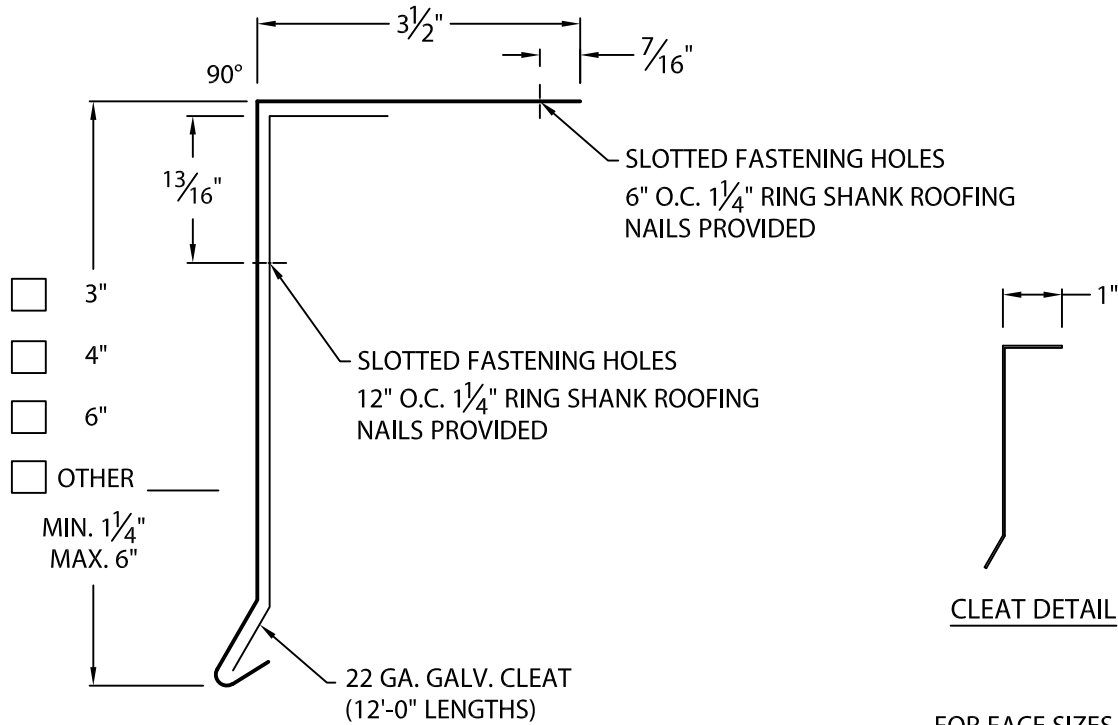




ONE TPO DRIP EDGE

1 1/4" TO 6" FACE HEIGHT WITH CONTINUOUS CLEAT VERSION
ANSI / SPRI ES-1 TESTED - FLORIDA BUILDING CODE APPROVED

12'-0" LENGTHS



FOR FACE SIZES OVER 6" SEE
PRINT APPROVAL #11010-28687

MATERIAL:

- _____ 24 Ga. (.65 mm) Galv Steel GAF TPO Coated
- _____ 24 Ga. (.65 mm) Galv Steel Johns Manville TPO Coated
- _____ 24 Ga. (.65 mm) Galv Steel Carlisle/Versico TPO Coated

NOTES:

- NO LAP NOTCHES PROVIDED.
- NO SPLICE PLATES PROVIDED.
- ALL FASTENERS PROVIDED

COLOR:

White

Fabrication will proceed only after receipt of signed print approval.

Print Approval:

Architect and/or contractor shall verify all dimensions, sizes and quantities. All products to be installed in strict accordance with Metal-Era's printed instructions.

Approved by: _____

Date: _____

QUANTITIES:

_____ Lineal Feet (12'-0" (3.65 m) Lengths)

_____ Outside Miters @ 90°

_____ Inside Miters @ 90°

FOR NON-90° SEE PRINT APPROVAL #11010-1103

PROJECT:

ARCHITECT:

ROOFING CONTRACTOR:

REPRESENTATIVE/DISTRIBUTOR:

Corporate Offices, Manufacturing
1600 Airport Road; Waukesha, WI 53188
Phone: 800-558-2162
Fax: 800-373-9156
www.metalera.com



DATE: 12/07/18

DRN BY: JJC

CKD BY: SAK

SHT.# ____ OF ____

DWG#24010-18934

N