

Seal-Tite

Scuppers and Collector Boxes

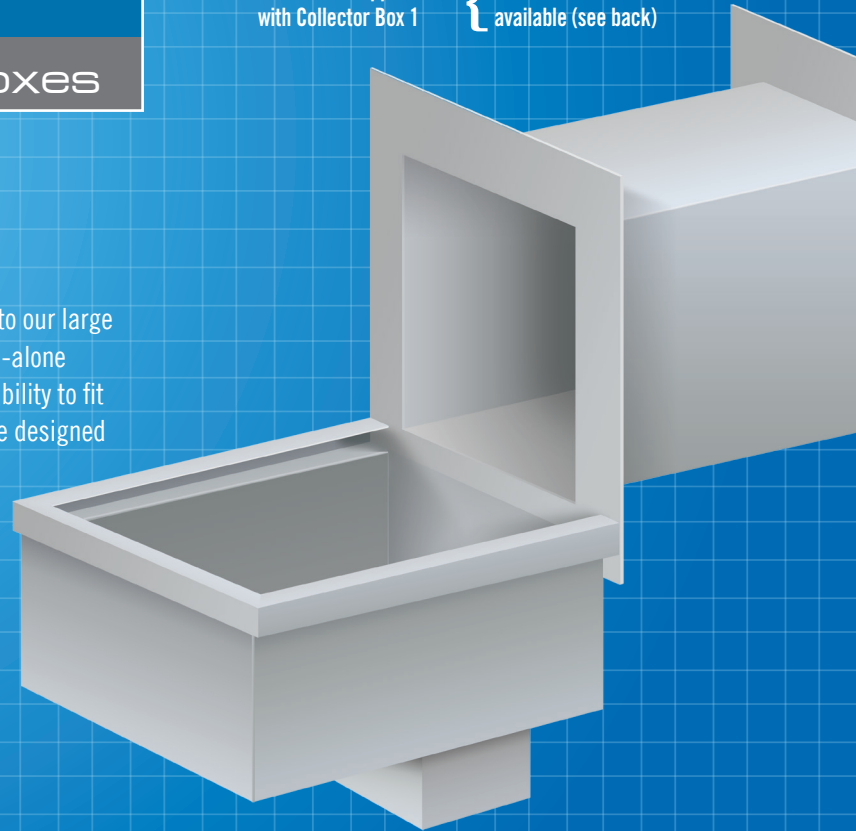
Accessories to Match Our Quality

Our factory-fabricated accessories are the perfect complement to our large selection of products. They can also be used effectively in stand-alone applications. The wide variety of our accessories brings the flexibility to fit any project. And, like all our products, Metal-Era accessories are designed and manufactured to provide long-lasting high performance.

Metal-Era has the welding and manufacturing capabilities to produce custom-designed Scuppers and Collector Boxes that meet the performance requirements of architects and contractors. They are manufactured as an all-welded system, providing another level of security and performance to protect against leaks. Both our Scuppers and Collector Boxes are a decorative and functional means of water control.

Thru-Wall Scupper with Collector Box 1

{ Additional versions available (see back)



► Try our quick-to-ship accessories and see how Metal-Era can help to deliver your project **ON TIME AND ON BUDGET.**

High Quality

- All-welded system provides security and performance to protect against leaks
- Can produce custom-designed collector boxes to fit the performance and aesthetic requirements of the building

Economical

- Decreased labor costs due to easy installation
- Higher overall profit on your construction projects

Easy Installation

- Designed for easy installation like all Metal-Era products

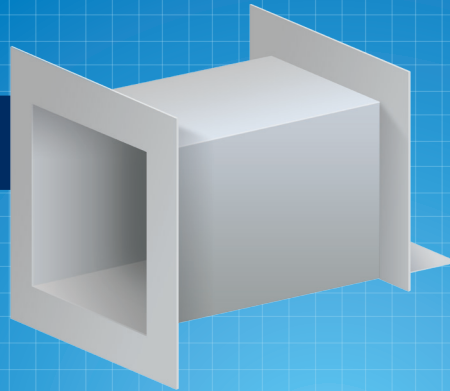


With Metal-Era's SPEQ promise of speed, protection, expertise and quality, you are assured that our accessories are backed with quality and service guarantees.

800-558-2162
www.metalera.com

Additional Scupper and Collector Box Versions:

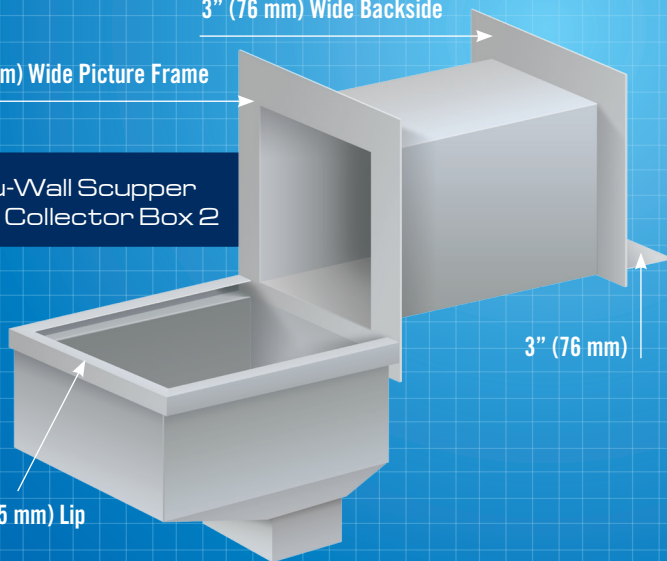
Thru-Wall Scupper



2" (51 mm) Wide Picture Frame

3" (76 mm) Wide Backside

Thru-Wall Scupper with Collector Box 2



1" (25 mm) Lip

3" (76 mm)

Quick Shipping in 11 Express Colors

(Excludes Collector Box orders)

Standard and custom finishes are also available to meet your needs. Our finishes are made of Valspar's Fluropon® high performance Hylar 5000®/Kynar 500® finish and include a 30-year warranty. For the most accurate color representation, contact us to request a paint chip.

Call us at 800-558-2162 for lead times on your next project.



Visit our website for additional versions and product information



Metal-Era, Inc. is a Minority Business Enterprise and a member of the National Minority Supplier Development Council. Download Minority Business certificates for your region at www.metalera.com.

©2017. All statements herein are expressions of opinion, which by performance and testing are believed to be accurate and reliable, but are presented without guarantee or responsibility on our part. Statements concerning possible use of our products are made without any knowledge that such recommended uses may infringe any patent. No warranty, express or implied, other than that described in this literature, is made or intended. Kynar 500® is a registered trademark belonging to Arkema Inc.