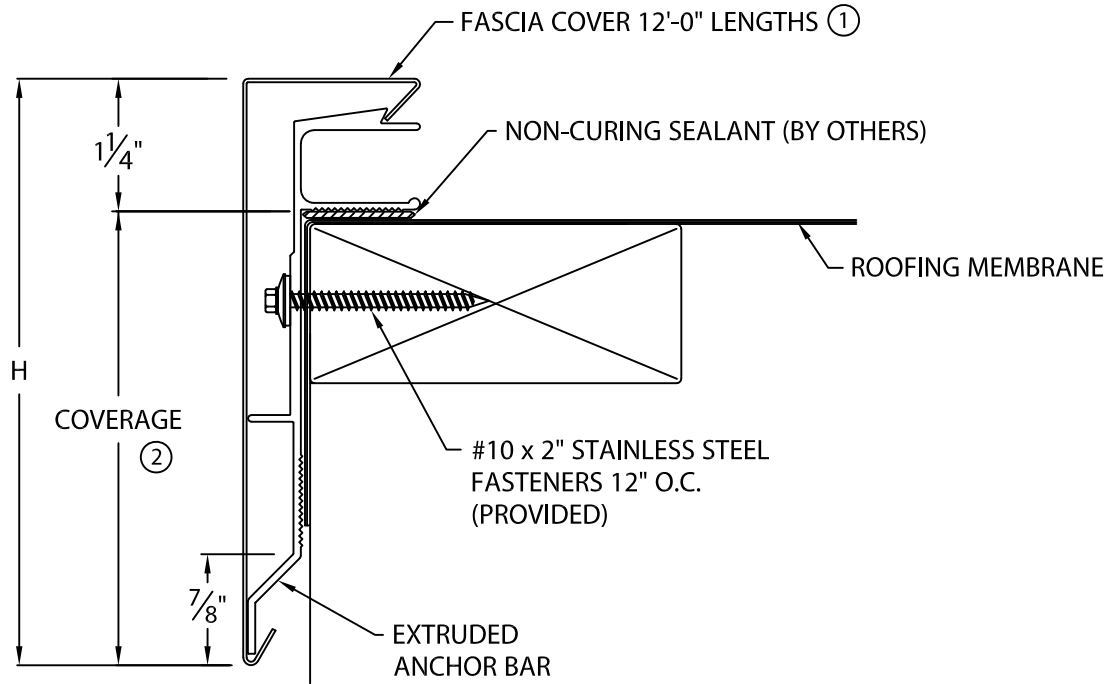




ANCHOR-TITE HG FASCIA

FULLY ADHERED OR MECHANICALLY ATTACHED SINGLE-PLY VERSION

ANSI/SPRI ES-1 TESTED



NOTES:

- ① FASCIA COVER PROVIDED WITH 3 1/2" WIDE SPLICE PLATES.
- ② TYPICALLY COVERAGE SHOULD EXTEND A MIN. OF 1 1/2" BELOW WOOD BLOCKING IF APPLICABLE.
- ③ NOT AVAILABLE IN 24 GA. GALV. STEEL OR .040" ALUMINUM.

ANCHOR-TITE HG FASCIA DIMENSIONS

PRODUCT ID. NO.	H DIM	COVERAGE	
<input type="checkbox"/> HG-AF-40	4"	2 3/4"	
<input type="checkbox"/> HG-AF-55	5 1/2"	4 1/4"	
<input type="checkbox"/> HG-AF-70	7"	5 3/4"	
<input type="checkbox"/> HG-AF-85	8 1/2"	7 1/4"	
<input type="checkbox"/> HG-AF-100 ③	10"	8 3/4"	

MATERIAL:

- ____ 24 GA. GALVANIZED STEEL COLOR: _____
 ____ 22 GA. GALVANIZED STEEL FINISH: _____
 ____ .040" ALUMINUM
 ____ .050" ALUMINUM
 ____ .063" ALUMINUM
 ____ OTHER _____

QUANTITIES:

- _____ LINEAL FEET 12'-0" LENGTHS
 _____ OUTSIDE MITER(S) @ 90°
 _____ INSIDE MITER(S) @ 90°
 _____ OVERFLOW SCUPPER(S) STYLE ____A____B
 _____ SPILLOUT SCUPPER(S) STYLE ____A____B
 _____ DOWNSPOUT(S) STYLE ____A____B (____x____) DOWNSPOUT SIZE
 A: TAPERED 1 1/2" DROP B: FLAT

FOR NON-90 MITERS SEE PRINT APPROVAL #11010-1103

Fabrication will proceed only after receipt of signed print approval.

Print Approval:

Architect and/or contractor shall verify all dimensions, sizes and quantities. All products to be installed in strict accordance with Metal-Era's printed instructions.

Approved by: _____

Date: _____

PROJECT:

ARCHITECT:

ROOFING CONTRACTOR:

REPRESENTATIVE/DISTRIBUTOR:

Corporate Offices, Manufacturing
 1600 Airport Road; Waukesha, WI 53188
 Phone: 800-558-2162
 Fax: 800-373-9156
 www.metalera.com



DATE: 03/22/18

DRN BY: JJC

CKD BY: SAK

SHT.# ____ OF ____

DWG# 11010-5465

H