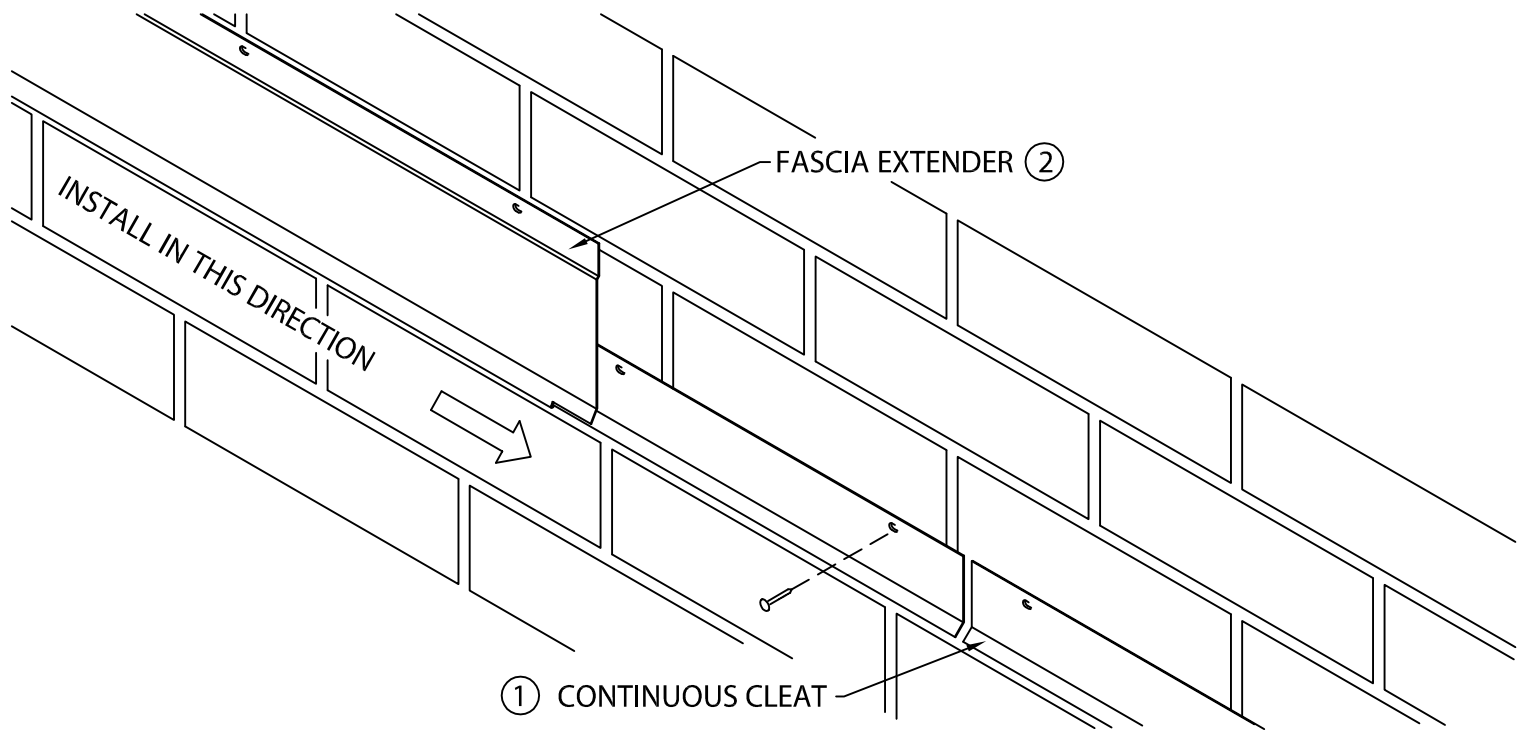


FASCIA EXTENDER

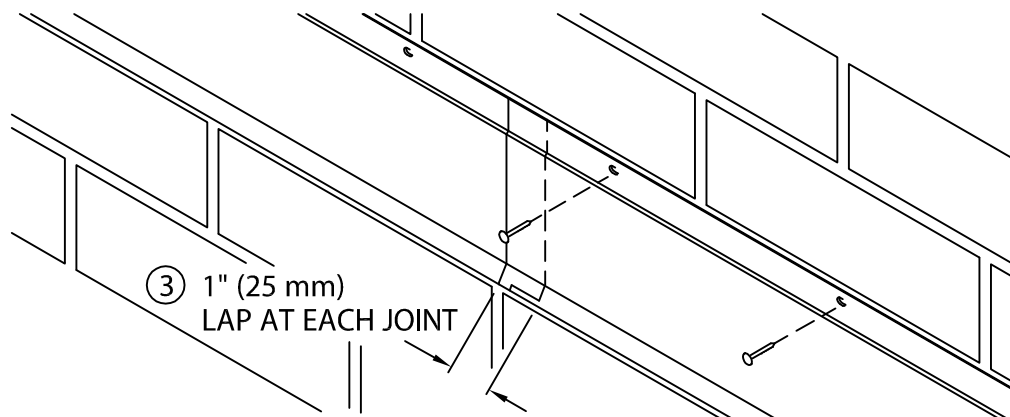
LAP JOINT VERSION

INSTALLATION INSTRUCTIONS

NOTE : INSTALL MITERS FIRST.

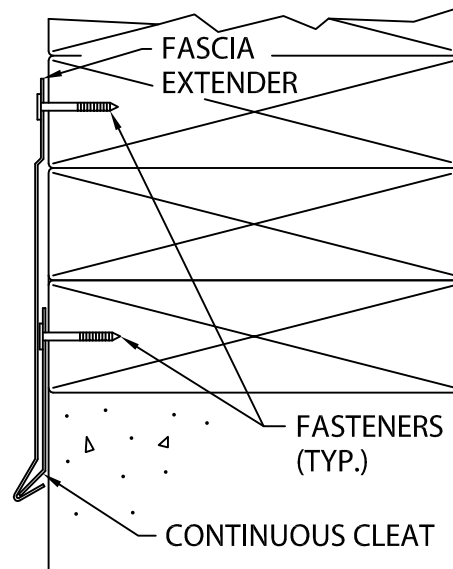


- STEP ① - CAREFULLY POSITION AND FASTEN CONTINUOUS CLEAT 12" (305 mm) O.C. AS SHOWN WITH APPROPRIATE FASTENERS. CLEAT SHALL BE INSTALLED TRUE AND LEVEL.
- STEP ② - HOOK DRIP EDGE OF EACH FASCIA EXTENDER ONTO CONTINUOUS CLEAT AND FASTEN WITH APPROPRIATE FASTENERS AT 12" (305 mm) O.C.



- STEP ③ - CONTINUE BY INSTALLING FASCIA EXTENDER PANELS RIGHT TO LEFT (AS SEEN FROM ROOFTOP). LAP ENDS OF PANELS 1" (25 mm) AT NOTCH PROVIDED. FIELD CUT AS NECESSARY.
- CAUTION : REMOVE PROTECTIVE FILM IMMEDIATELY AFTER INSTALLATION. INSTALLERS SHALL WEAR PROTECTIVE EYEWEAR TO PREVENT INJURY.

TYPICAL INSTALLATION
(Substrate may vary per job conditions.)



ROOFING SYSTEMS

P: 800-621-ROOF

DATE: 08/18/08

DRN BY: JJC

CKD BY: SAK

SHT.# ___ OF ___

DWG# 12114-3009

B