

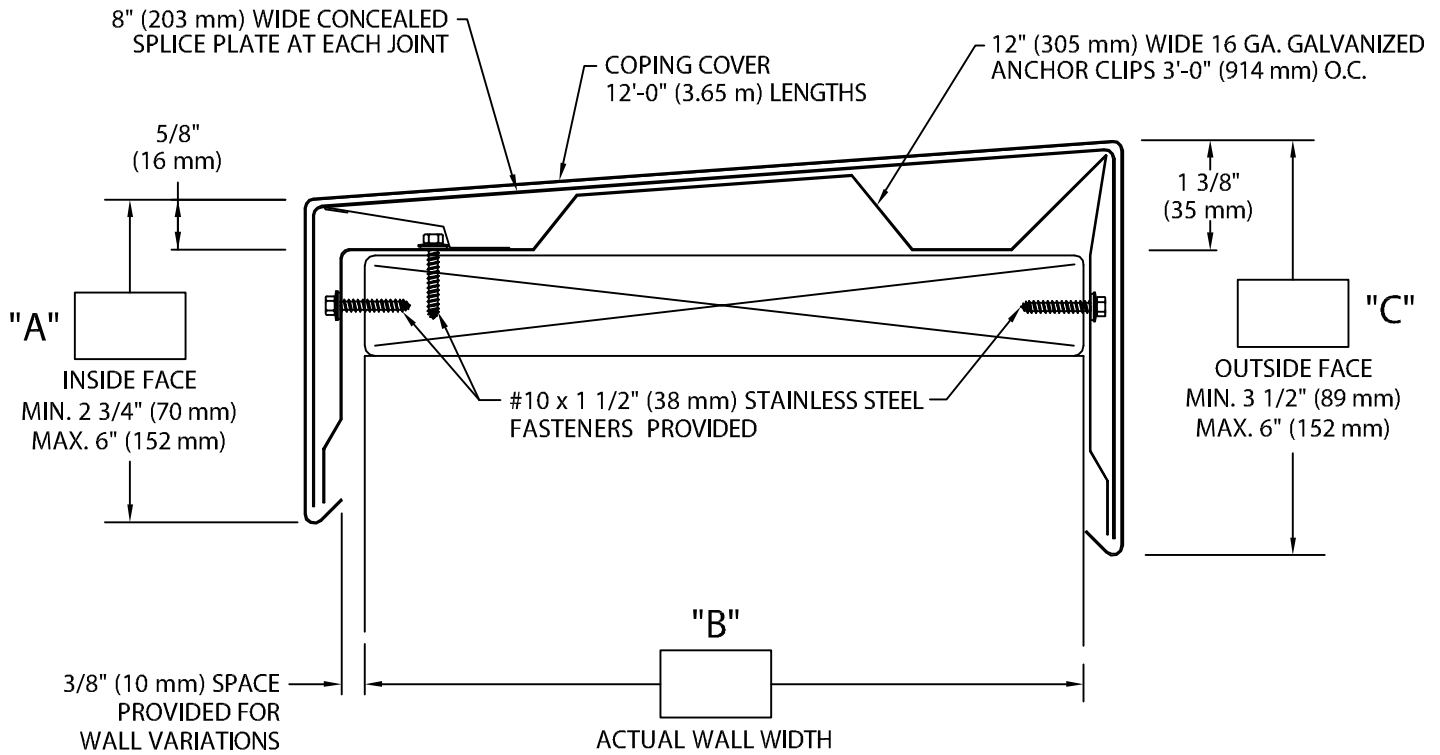
PERMA-TITE GOLD COPING

24 GA., OVER 16" TO 24" WALL ANSI/SPRI ES-1 DESIGN PRESSURE OF 180 psf

LARGER THAN 16" WALL SIZE TAPERED VERSION

.050", OVER 16" TO 24" WALL ANSI/SPRI ES-1 DESIGN PRESSURE OF 240 psf

.050", OVER 24" TO 32" WALL ANSI/SPRI ES-1 DESIGN PRESSURE OF 160 psf



Coping is to be installed per Specifications and Metal-Era's Installation Instruction Dwg. # 11111-15342.

- Concealed splice plates are provided with factory applied dual non-curing sealant strips.
- Unless otherwise noted, fabrication of miters and accessories are furnished standard utilizing a non-penetrating quicklock joint, then factory sealed watertight.

- Welded Miters and Accessories
Check one Required (surcharge) Not applicable

Fabrication will proceed only after receipt of signed print approval.

Print Approval:

Architect and/or contractor shall verify all dimensions, sizes and quantities. All products to be installed in strict accordance with Metal-Era's printed instructions.

Approved by: _____

Date: _____

MATERIAL:

- ___ 24 Ga. (0.65 mm) Galv.
 - ___ .040" (1.01 mm) Alum.
 - ___ .050" (1.27 mm) Alum.
 - ___ .063" (1.60 mm) Alum.
 - ___ OTHER _____
- Color: _____
Finish: _____

QUANTITIES:

- _____ Lineal Feet 12'-0" (3.65 m) Lengths
- _____ Outside Miters @ (_____)°
- _____ Inside Miters @ (_____)°
- _____ Right End Caps
- _____ Left End Caps

PROJECT:

ARCHITECT:

ROOFING CONTRACTOR:

REPRESENTATIVE/DISTRIBUTOR:

Corporate Offices, Manufacturing
1600 Airport Road; Waukesha, WI 53188
Phone: 800-558-2162
Fax: 800-373-9156
www.metalera.com



DATE: 02/12/13

DRN BY: JJC

CKD BY: SAK

SHT.# _____ OF _____

DWG# 11011-12973

B