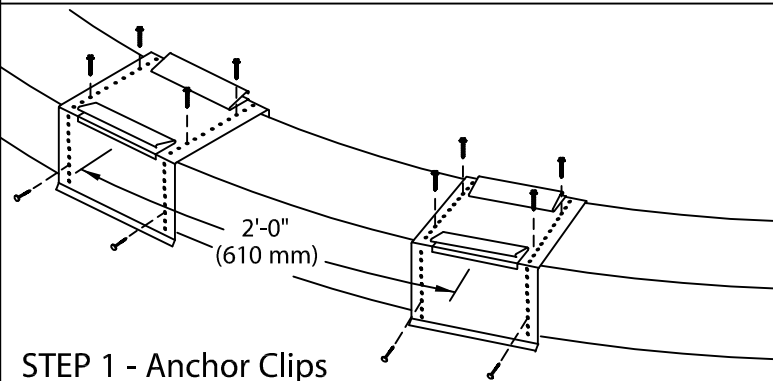


DOW RADIUS COPING

OVER 6" TO 12" FACE HEIGHT TAPERED VERSION - 2'-0" O.C.

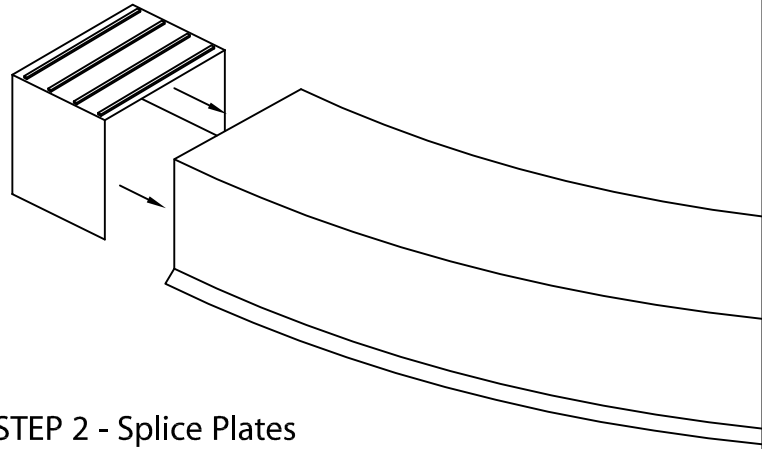
INSTALLATION INSTRUCTIONS

NOTE: Position roof membrane on top of the wall covering the treated wood nailer(s) or substrate completely. Allow 1/2" (13 mm) minimum excess membrane beyond nailer where applicable. NRCA Requirement.



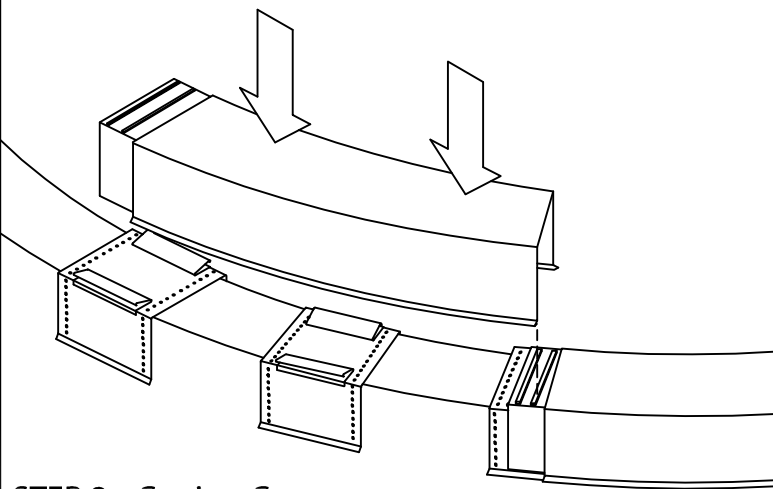
STEP 1 - Anchor Clips

Locate and fasten 8" (203 mm) wide anchor clips at 2'-0" (610 mm) O.C. with provided fasteners for substrate (see detail A).



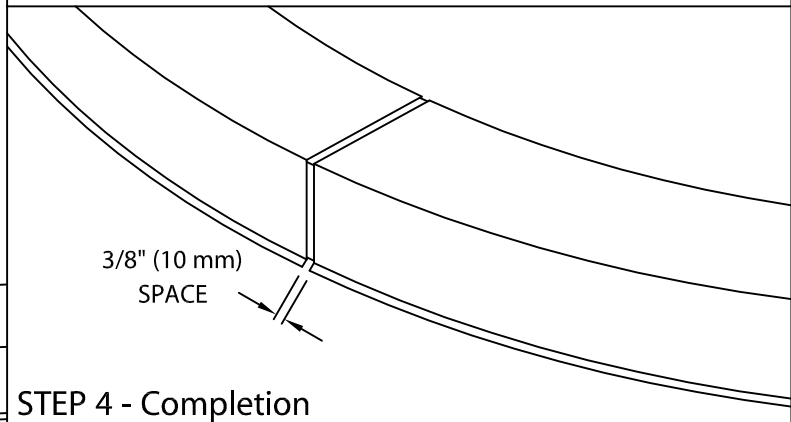
STEP 2 - Splice Plates

Remove release paper from left two sealant strips. Insert splice plate into the right end of radius section.



STEP 3 - Coping Cover

Remove release paper from right two factory applied sealant strips on the splice plate in the coping section. Install 4'-0" (1.22 m) radius coping sections from left to right. Place coping into position and press downward until snap-lock occurs.



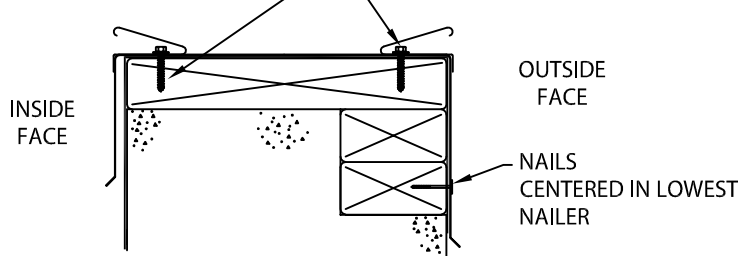
STEP 4 - Completion

Continue installing coping with a 3/8" (10 mm) space at splice joints to allow for thermal expansion. Field cut where necessary using a fine tooth hacksaw or snips.

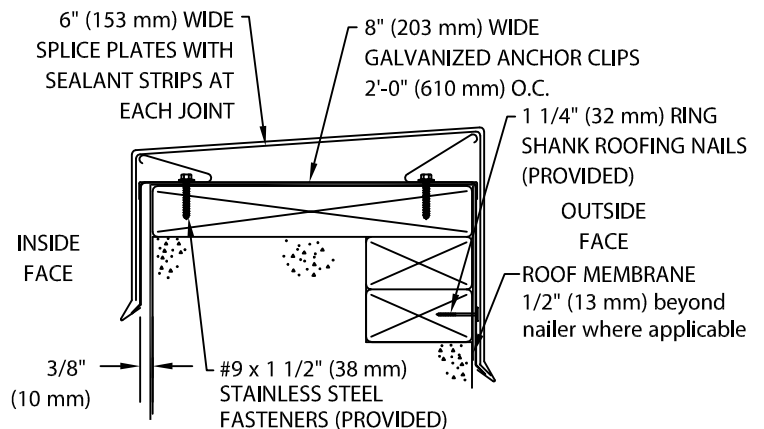
NOTE: REMOVE PROTECTIVE FILM IMMEDIATELY.

ANCHOR CLIP FASTENING-DETAIL A

LOCATE FASTENERS IN THIRD FULL HOLE FROM BEND



TYPICAL COPING INSTALLATION



ROOFING SYSTEMS

P: 800-621-ROOF

DATE: 03/02/09

DRN BY: JJC

CKD BY: SAK

SHT.# ___ OF ___

DWG# 12111-9455

A