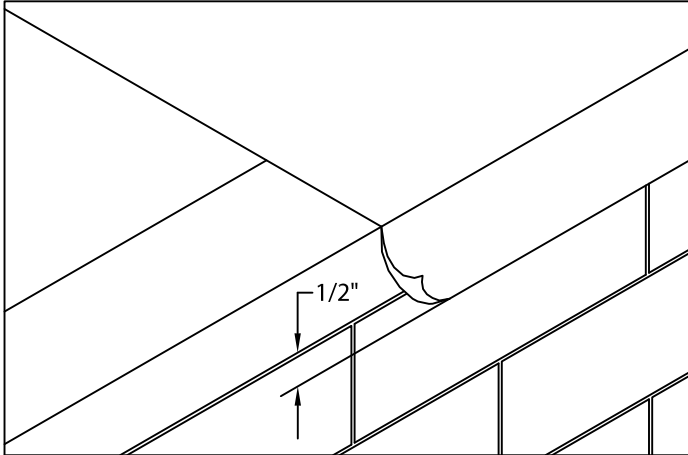


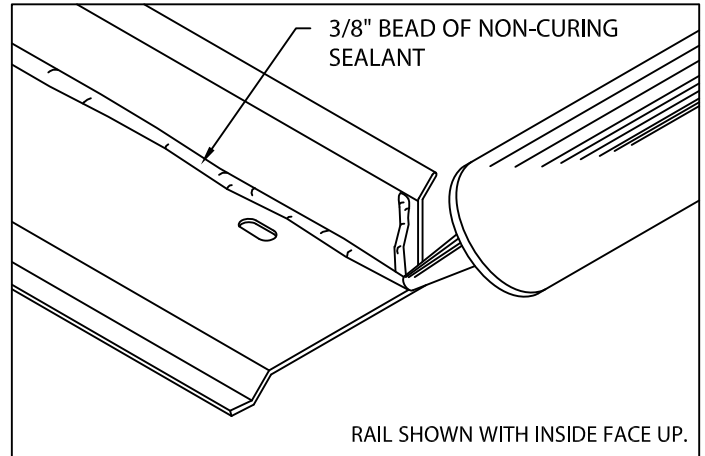
### FOR RADIUS INSTALLATION INSTRUCTIONS SEE PAGE 4



#### 1. Roof Membrane

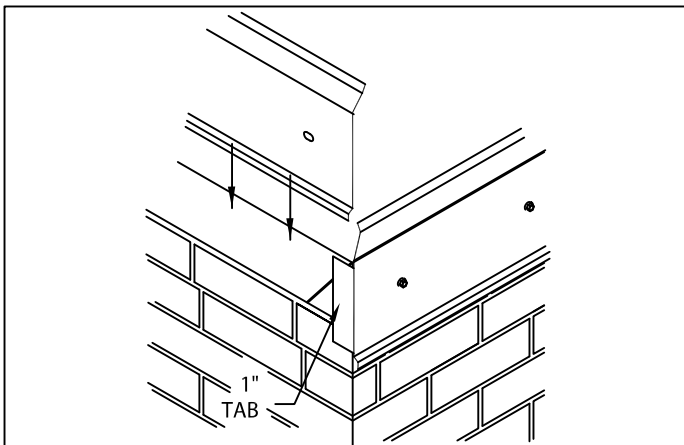
Position membrane over the roof edge and down outside face of wall, covering wood nailer(s) completely. Allow 1/2" excess membrane.

**IMPORTANT!** Outside edge of wood nailer(s) (minimum 2 x 4) shall be aligned flush with or extend slightly past outermost edge of wall.



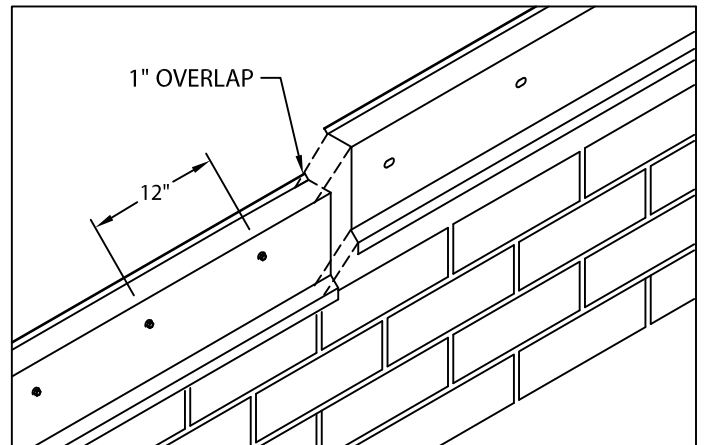
#### 2. Miter & Scupper Base Rail (Preparation)

Lay miters and spillover scuppers on deck with outside face down. Be sure aluminum base rail is clean and free of dirt or dust. Apply a heavy 3/8" bead of non-curing sealant to the right angle intersection of the deck flange and back of base rail as shown. Application of mastic is required along the full length of each miter base rail. Apply a similar 3/8" bead of sealant to the flange's left end, as you look at the outside face of the rail section.



#### 3. Base Rail Miter Installation

See sheet 3 for miter fabrication. Fold roofing membrane at corners and install miters using fasteners and driver bit provided by Sika Sarnafil.



#### 4. Base Rail Installation

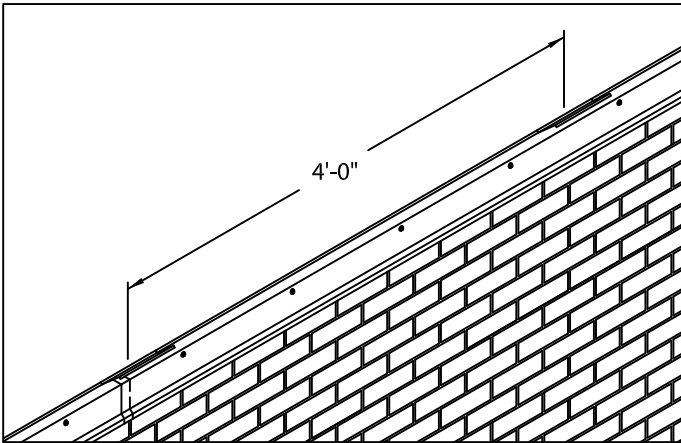
Install 12'-0" sections of base rail from right to left as seen from roof top, lapping the previous section 1". Fasten base rail to nailer(s) through base rail slots 12" o.c. with provided fasteners. Field cut the base rail sections as needed.



# EDGE-TITE FASCIA SYSTEM

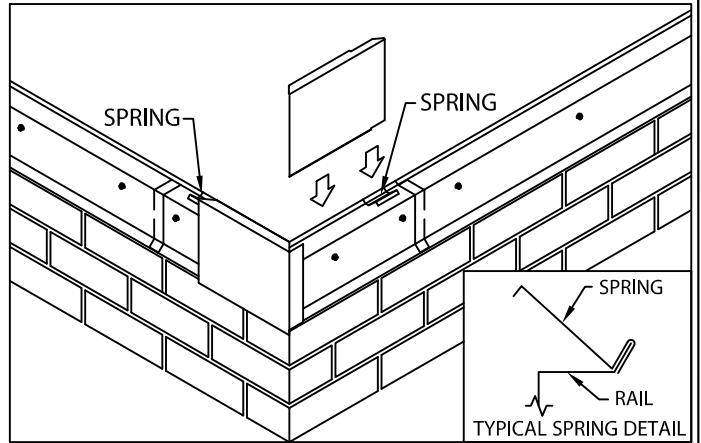
FULLY ADHERED OR MECHANICALLY ATTACHED SINGLE-PLY VERSION

## LAP JOINT VERSION INSTALLATION INSTRUCTIONS



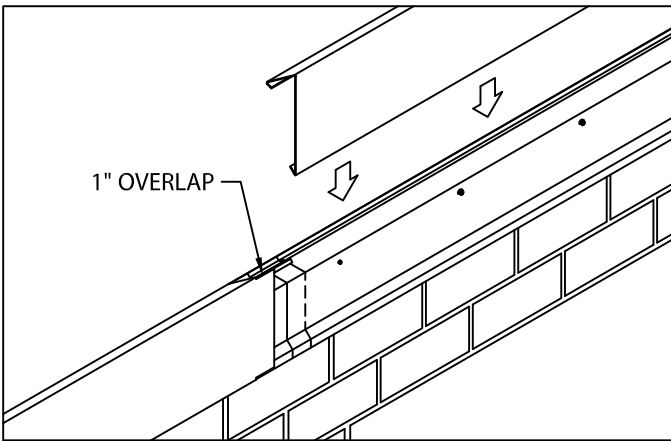
### 5. Spring Clips

Position 6" wide stainless steel spring clips at 4'-0" O.C. locating at fascia cover ends and at the midspan.



### 6. FASCIA MITER COVERS

Position 6" wide stainless steel spring at each end of fascia miter cover (2 total). Install 2-piece "snap-on" fascia miter covers first by snapping on fascia corner miter with 90° (degree) tab, followed by fascia cover without the tab. Position the cover above the rail and with palm of hand apply slight pressure downward until engaged to the bottom of base rail. Remove protective film from miter covers.

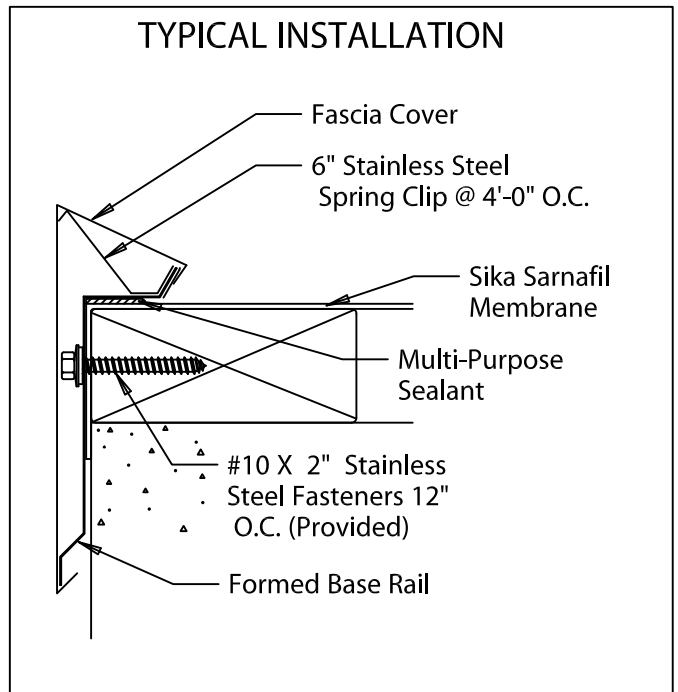


### 7. FASCIA COVERS

Place 12'-0" covers on top of base rail, lapping preceding cover 1", again installing right to left as per step 6 above. Position the covers above the rail. Snap each cover onto base rail by pressing down with the palm of your hand until the cover is fully engaged to the bottom of base rail, along the entire cover length. Field cut covers as required with a fine tooth hacksaw or snips.

#### IMPORTANT!

Be sure to remove protective plastic film prior to installing each fascia section.



U.S. Patent# 5,927,023



Sika Sarnafil Inc.  
(800) 451-2504  
www.metalera.com/sikasarnafil

DATE: 03/29/17  
DRN BY: JAB  
CKD BY: SAK

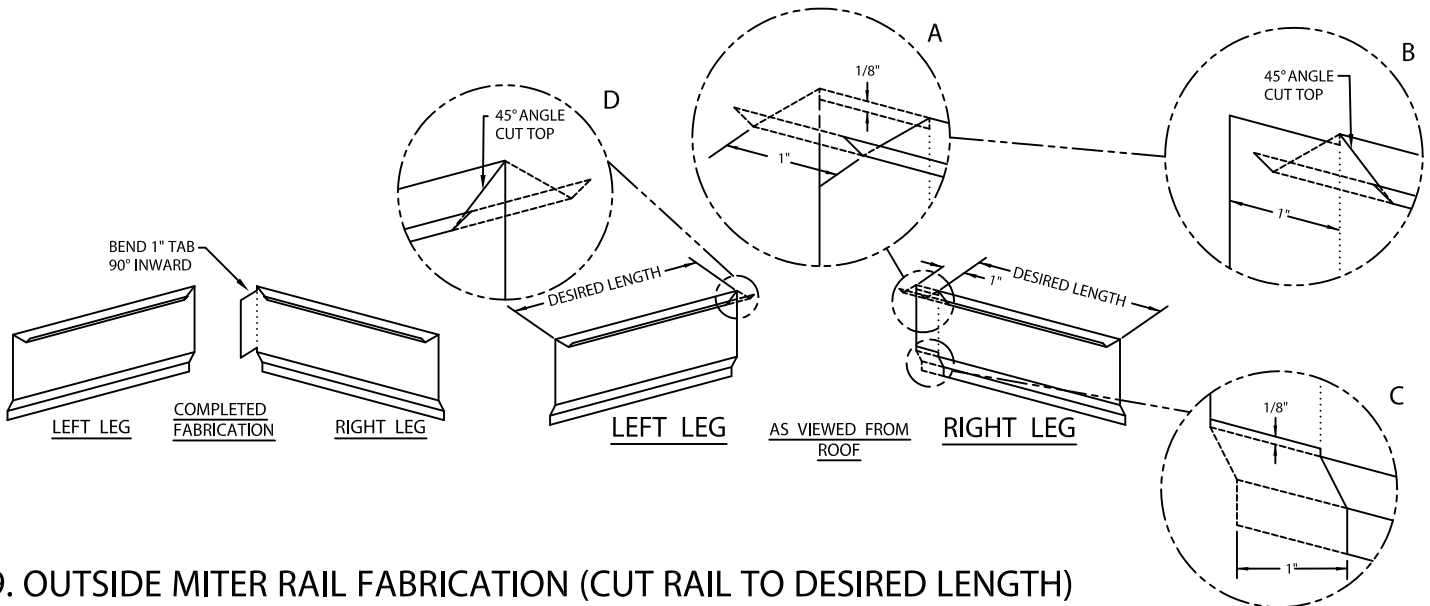
SHT.# 2 OF 4  
DWG# 14110-2819 **G**



# EDGE-TITE FASCIA SYSTEM

FULLY ADHERED OR MECHANICALLY ATTACHED SINGLE-PLY VERSION

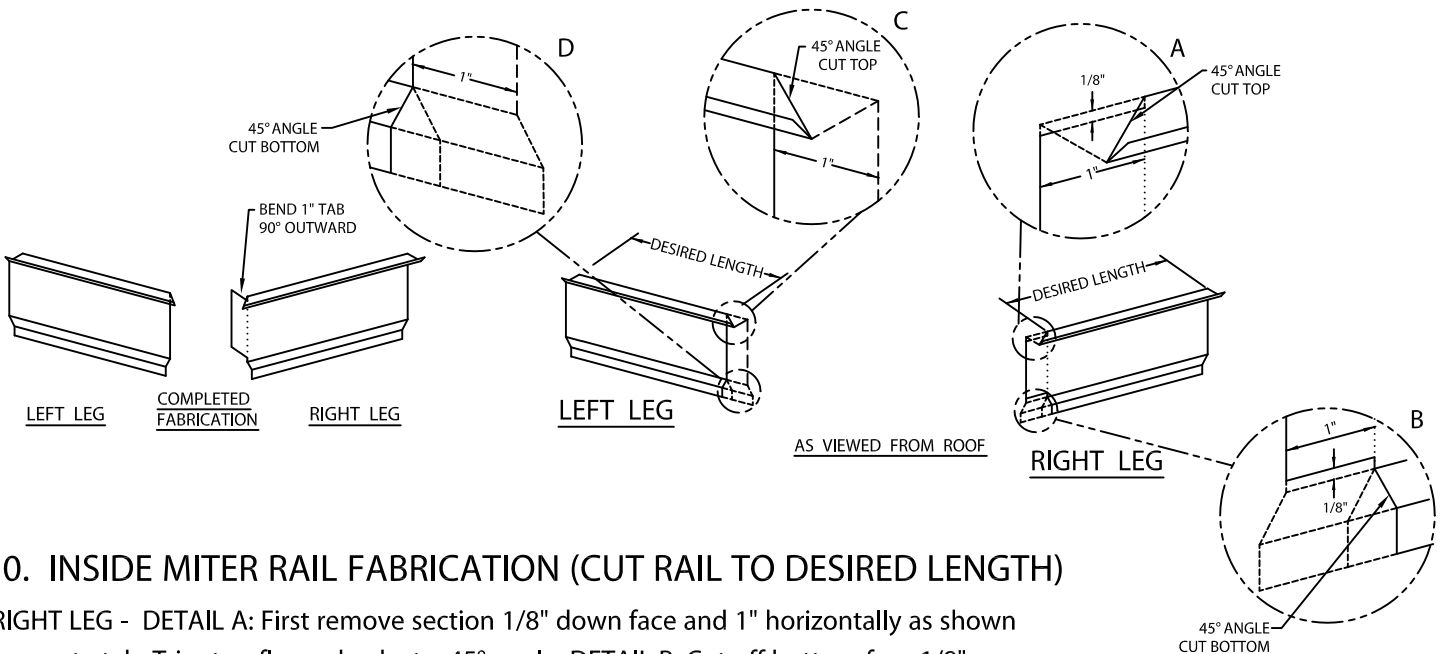
## LAP JOINT VERSION INSTALLATION INSTRUCTIONS



### 9. OUTSIDE MITER RAIL FABRICATION (CUT RAIL TO DESIRED LENGTH)

**RIGHT LEG - DETAIL A:** First remove a 1" section from top flange, 1/8" down face and 1" horizontally as shown to create tab. **DETAIL B:** Cut top flange at 45° angle. **DETAIL C:** Cut off bottom face at a 1/8" x 1" as shown and continue through area shown on bottom flange. Bend tab inwards 90°.

**LEFT LEG - DETAIL D:** Trim top flange at a 45° angle.



### 10. INSIDE MITER RAIL FABRICATION (CUT RAIL TO DESIRED LENGTH)

**RIGHT LEG - DETAIL A:** First remove section 1/8" down face and 1" horizontally as shown to create tab. Trim top flange back at a 45° angle. **DETAIL B:** Cut off bottom face 1/8" as shown and continue cut at a 45° through area shown on bottom flange. Bend tab inwards 90°.

**LEFT LEG - DETAIL C:** Cut top flange at a 45° angle. Continue down face. **DETAIL D:** Cut bottom flange at 45° angle as shown.



Sika Sarnafil Inc.  
 (800) 451-2504  
[www.metalera.com/sikasarnafil](http://www.metalera.com/sikasarnafil)

DATE: 03/29/17  
 DRN BY: JAB  
 CKD BY: SAK

SHT.# 3 OF 4  
 DWG# 14110-2819 **G**



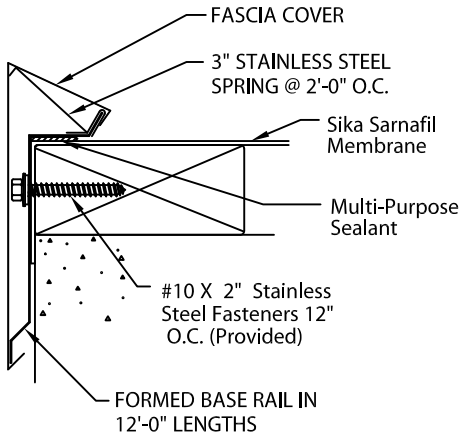
# EDGE-TITE FASCIA SYSTEM

FULLY ADHERED OR MECHANICALLY ATTACHED SINGLE-PLY VERSION

## LAP JOINT VERSION INSTALLATION INSTRUCTIONS

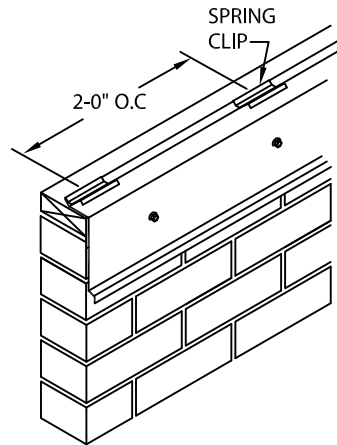
### RADIUS INSTALLATION INSTRUCTIONS

#### TYPICAL INSTALLATION



#### STEP 1

FOLLOW DIRECTIONS ON PAGE 1 FOR INSTALLING ROOF MEMBRANE & RAIL.

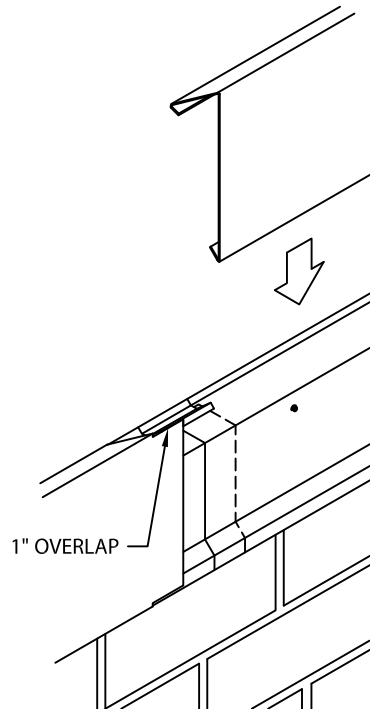


#### STEP 2 - SPRING CLIPS

LOCATE 3" WIDE SPRING CLIPS, STARTING WITH ONE AT THE END OF RAIL, THEN AT EVERY 2'-0" O.C., MAKING SURE THERE WILL BE A SPRING CLIP UNDER EACH FASCIA COVER END.

#### STEP 3 - FASCIA COVERS

REMOVE THE PROTECTIVE FILM FROM FASCIA COVERS. PLACE COVERS ON TOP OF BASE RAIL, LAPPING PRECEDING COVER 1", AGAIN INSTALLING RIGHT TO LEFT AS PER STEP 7 ON PAGE 2. POSITION THE COVERS ABOVE THE RAIL. SNAP EACH COVER ONTO BASE RAIL BY PRESSING DOWN WITH THE PALM OF YOUR HAND UNTIL THE COVER IS FULLY ENGAGED TO THE BOTTOM OF BASE RAIL, ALONG THE ENTIRE COVER LENGTH. FIELD CUT COVERS AS REQUIRED WITH A FINE TOOTH HACKSAW OR SNIPS.



Sika Sarnafil Inc.  
(800) 451-2504

[www.metalera.com/sikasarnafil](http://www.metalera.com/sikasarnafil)

DATE: 03/29/17

DRN BY: JAB

CKD BY: SAK

SHT.# 4 OF 4

DWG# 14110-2819

G