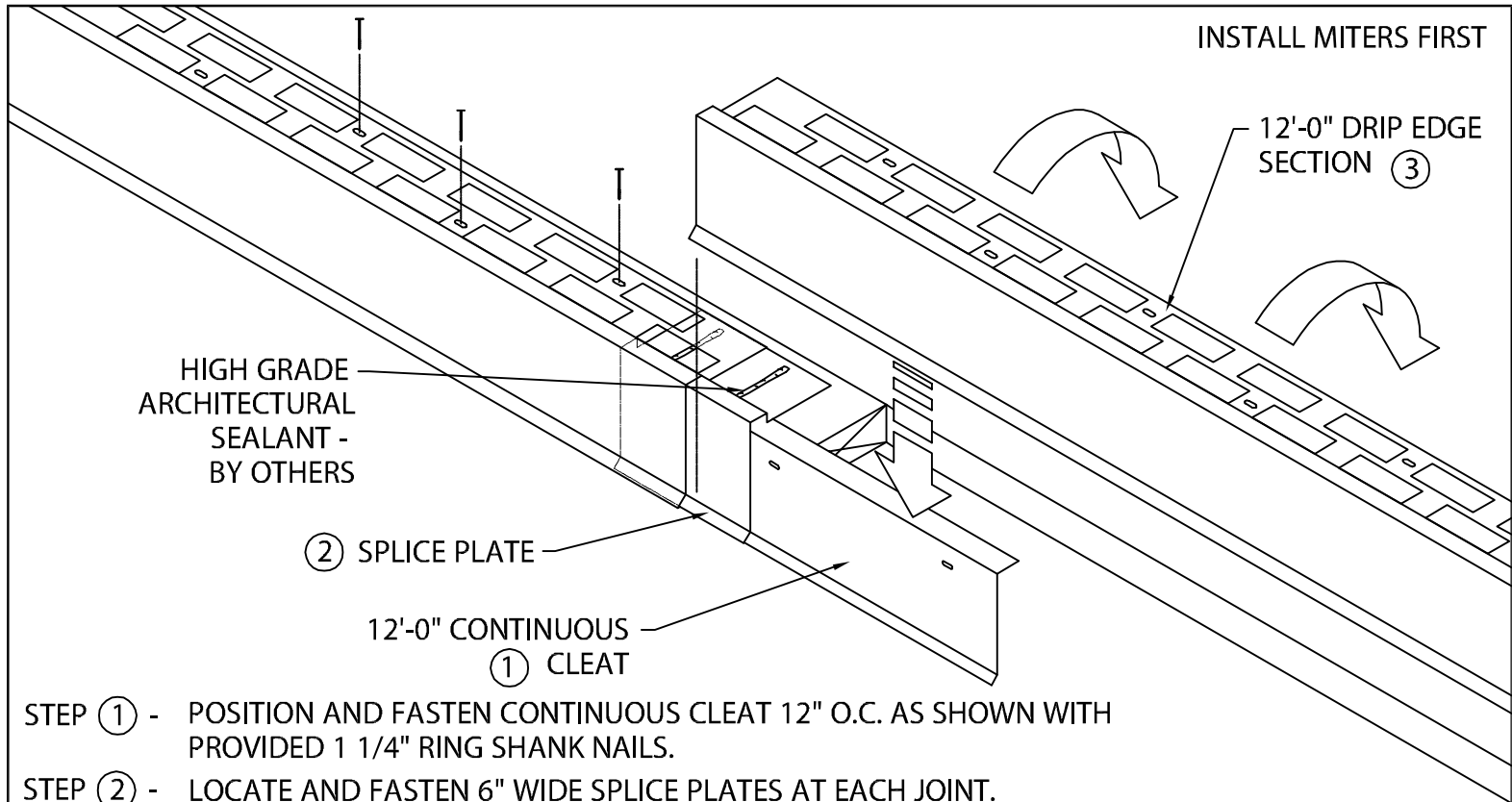




ENDURA™ EDGE TG

BUILT-UP OR MODIFIED VERSION WITH CONTINUOUS CLEAT

INSTALLATION INSTRUCTIONS



INSTALL MITERS FIRST

12'-0" DRIP EDGE SECTION ③

HIGH GRADE ARCHITECTURAL SEALANT - BY OTHERS

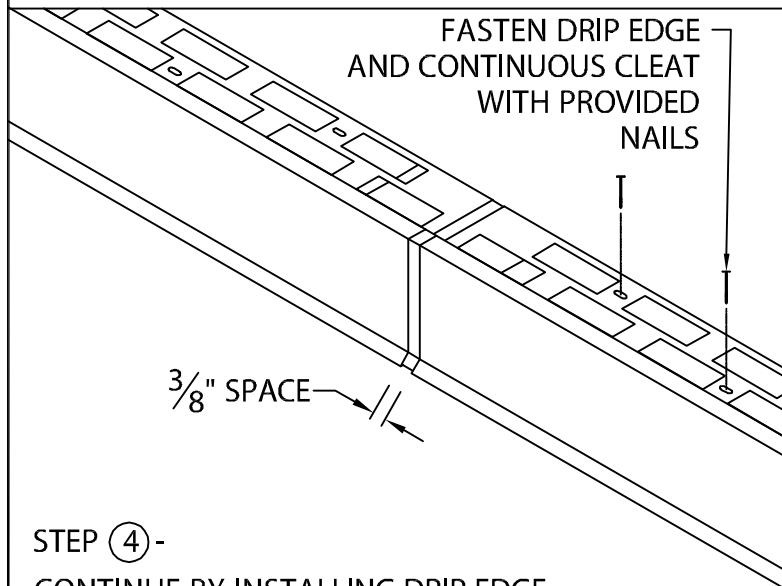
② SPLICE PLATE

12'-0" CONTINUOUS ① CLEAT

STEP ① - POSITION AND FASTEN CONTINUOUS CLEAT 12" O.C. AS SHOWN WITH PROVIDED 1 1/4" RING SHANK NAILS.

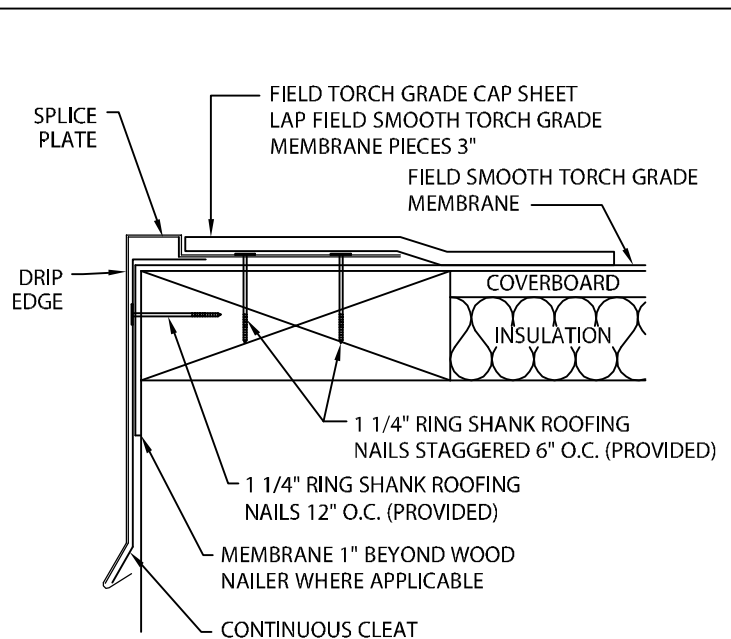
STEP ② - LOCATE AND FASTEN 6" WIDE SPLICE PLATES AT EACH JOINT. SEALANT (BY OTHERS) TO BE FIELD APPLIED TO TOP OF EACH SPLICE PLATE AS SHOWN.

STEP ③ - HOOK DRIP EDGE OF EACH DRIP EDGE SECTION ONTO CONTINUOUS CLEAT, ROTATE INTO PLACE, AND FASTEN WITH PROVIDED 1 1/4" RING SHANK NAILS.



STEP ④ -

CONTINUE BY INSTALLING DRIP EDGE SECTIONS ALLOWING A 3/8" SPACE BETWEEN SECTIONS AS SHOWN. FIELD CUT AS NECESSARY. REMOVE PROTECTIVE FILM IMMEDIATELY AFTER INSTALLATION. INSTALLERS SHALL WEAR PROTECTIVE EYEWEAR TO PREVENT INJURY.



STEP ⑤ - APPLY FIELD TORCH GRADE CAP SHEET AS SHOWN.



PHONE: 800-794-2701

DATE: 02/19/15

DRN BY: JJC

CKD BY: SAK

SHT.# ___ OF ___

DWG# 47110-21281

A