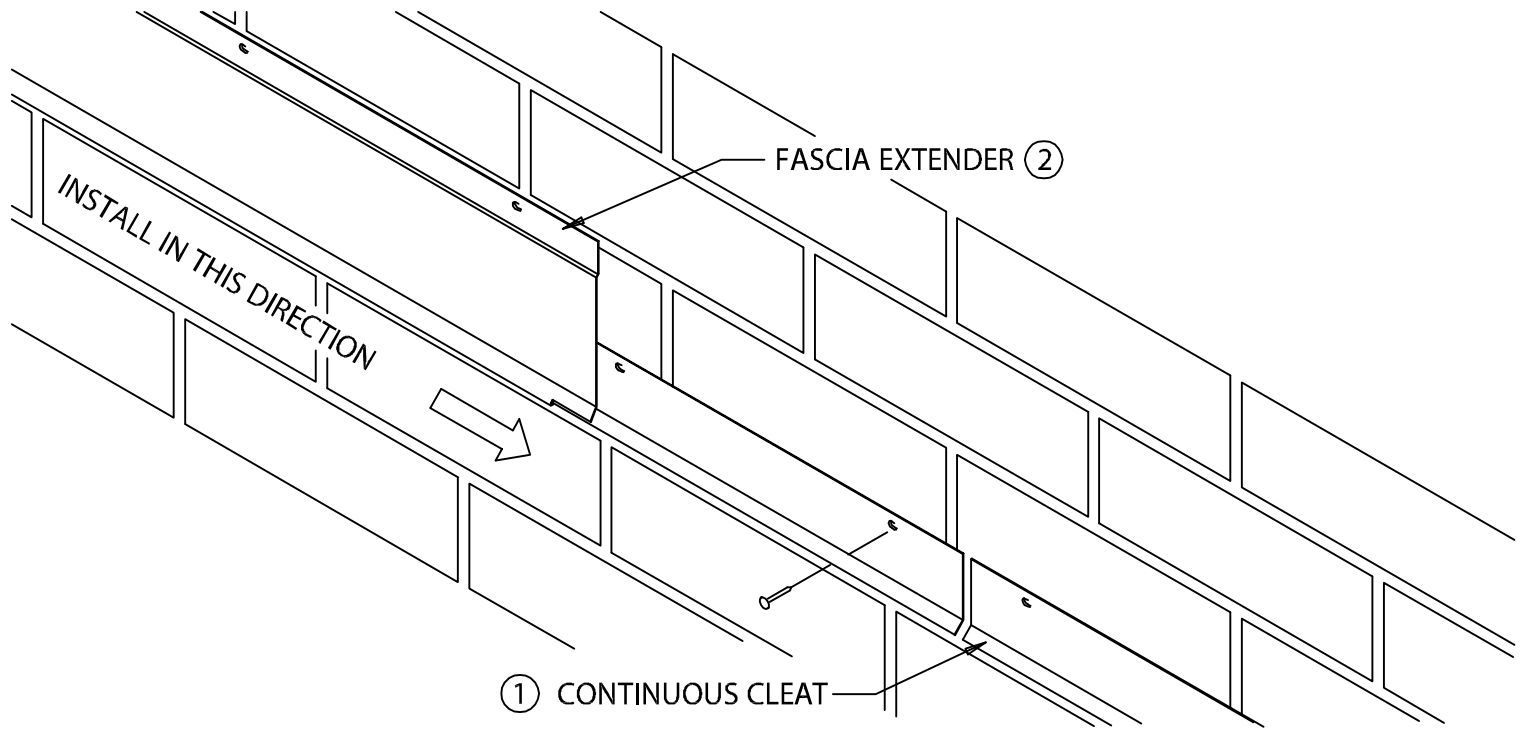


# FASCIA EXTENDER

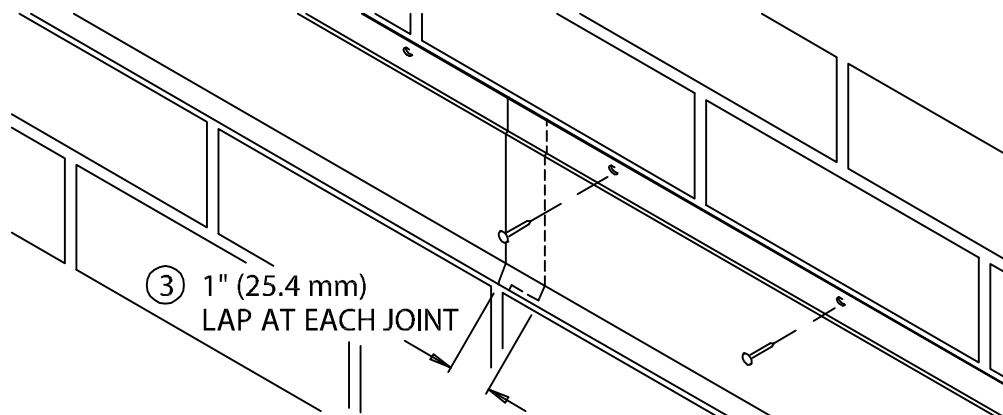
LAP JOINT VERSION

## INSTALLATION INSTRUCTIONS

NOTE : INSTALL MITERS FIRST.



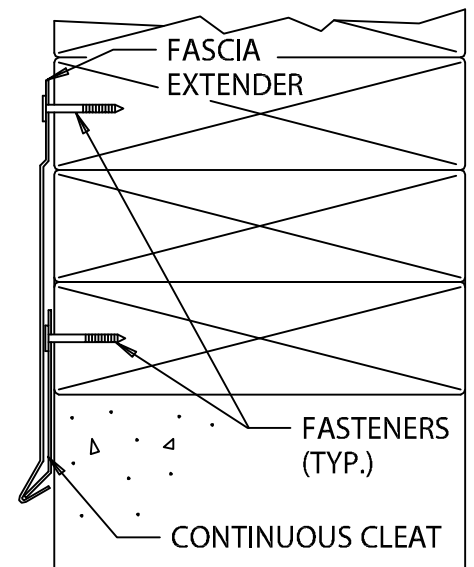
- STEP ① - CAREFULLY POSITION AND FASTEN CONTINUOUS CLEAT 12" (304.8 mm) O.C. AS SHOWN WITH APPROPRIATE FASTENERS. CLEAT SHALL BE INSTALLED TRUE AND LEVEL.
- STEP ② - HOOK DRIP EDGE OF EACH FASCIA EXTENDER ONTO CONTINUOUS CLEAT AND FASTEN WITH APPROPRIATE FASTENERS AT 12" (304.8 mm) O.C.



- STEP ③ - CONTINUE BY INSTALLING FASCIA EXTENDER PANELS RIGHT TO LEFT (AS SEEN FROM ROOFTOP). LAP ENDS OF PANELS 1" (25.4 mm) AT NOTCH PROVIDED. FIELD CUT AS NECESSARY.

CAUTION : REMOVE PROTECTIVE FILM IMMEDIATELY AFTER INSTALLATION. INSTALLERS SHALL WEAR PROTECTIVE EYEWEAR TO PREVENT INJURY.

TYPICAL INSTALLATION  
(Substrate may vary per job conditions.)



800-356-3521  
www.soprema.us

310 Quadral Dr.  
Wadsworth, OH 44281  
f: 330-334-6257

DATE: 08/27/15  
DRN BY: JJC  
CKD BY: SAK

SHT.# \_\_\_ OF \_\_\_

DWG# 33114-22568

A