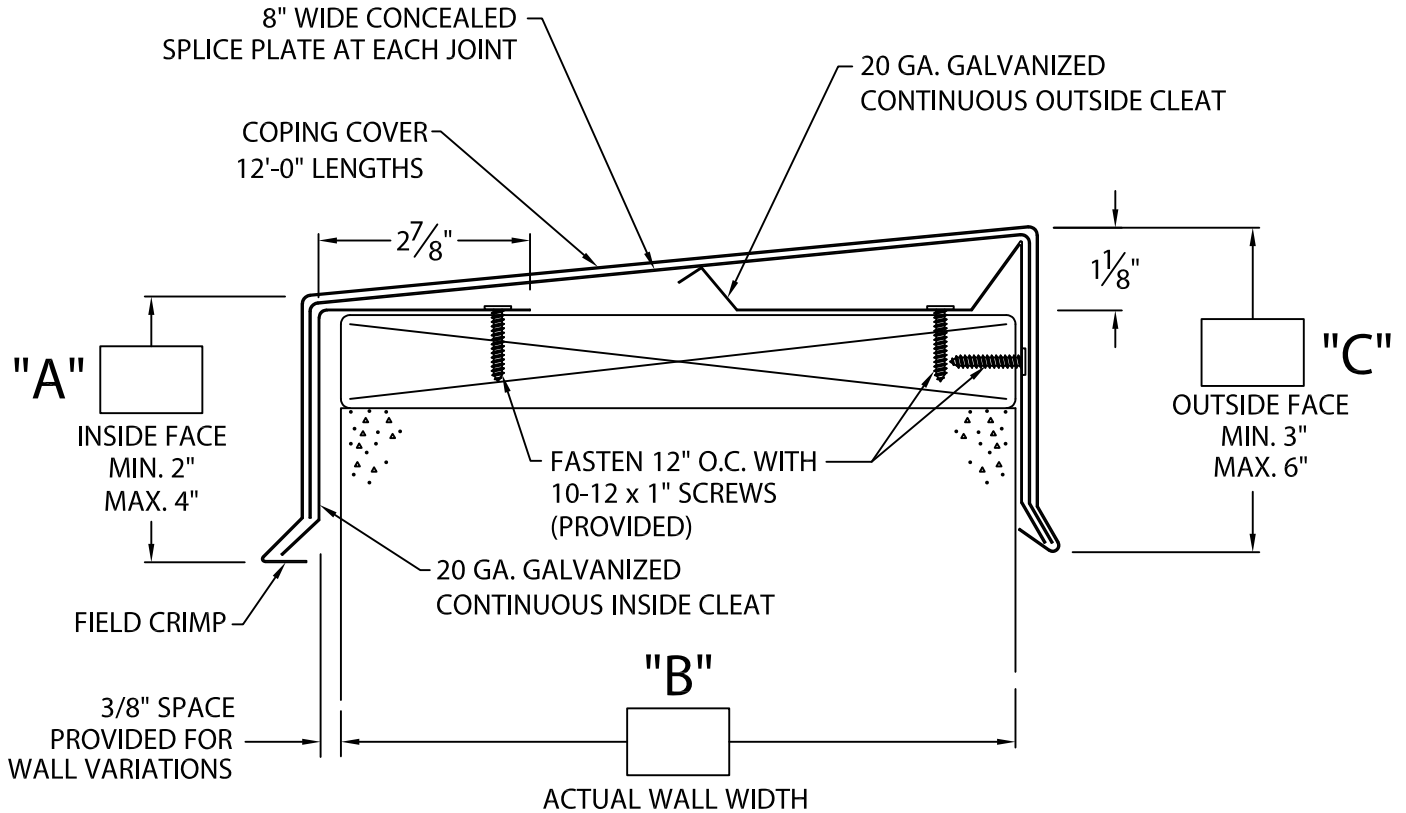




SOPRA-TITE CONTINUOUS CLEAT COPING

TAPERED VERSION

ANSI/SPRI ES-1 TESTED



-- CONCEALED SPLICE PLATES ARE PROVIDED WITH FACTORY APPLIED NON-CURING SEALANT STRIPS.

-- ACTUAL COPING WIDTH (IN TO IN) IS ACTUAL WALL WIDTH PLUS 5/8".

-- UNLESS OTHERWISE NOTED, FABRICATION OF MITERS AND ACCESSORIES ARE FURNISHED STANDARD UTILIZING A NON-PENETRATING QUICKLOCK JOINT, THEN FACTORY SEALED WATERTIGHT.

-- WOOD NAILER REQUIRED FOR FM APPROVAL OR ANSI/SPRI / ES-1 RATING.

-- WELDED MITERS AND ACCESSORIES

CHECK ONE REQUIRED (SURCHARGE) NOT APPLICABLE

MATERIAL:

___ 24 GA. GALVANIZED STEEL

COLOR: _____

___ 22 GA. GALVANIZED STEEL

___ .040" ALUMINUM

___ .050" ALUMINUM

FINISH: _____

___ .063" ALUMINUM

___ OTHER _____

QUANTITIES:

_____ LINEAL FEET 12'-0" LENGTHS

_____ OUTSIDE MITER(S) @ 90°

_____ INSIDE MITER(S) @ 90°

_____ RIGHT ENDCAPS

_____ LEFT ENDCAPS

FOR NON 90° MITERS PLEASE SEE PRINT APPROVAL #33011-20194

Fabrication will proceed only after receipt of signed print approval.

Print Approval:

Architect and/or contractor shall verify all dimensions, sizes and quantities. All products to be installed in strict accordance with Soprema's printed instructions.

Approved by: _____

Date: _____

PROJECT:

ARCHITECT:

ROOFING CONTRACTOR:

REPRESENTATIVE/DISTRIBUTOR:

800-356-3521

www.soprema.us

310 Quadral Dr. Wadsworth, OH 44281

f: 330-334-6257



DATE: 07/02/19

DRN BY: ZS

CKD BY: JAI

SHT.# ___ OF ___

DWG# 33011-24046

C