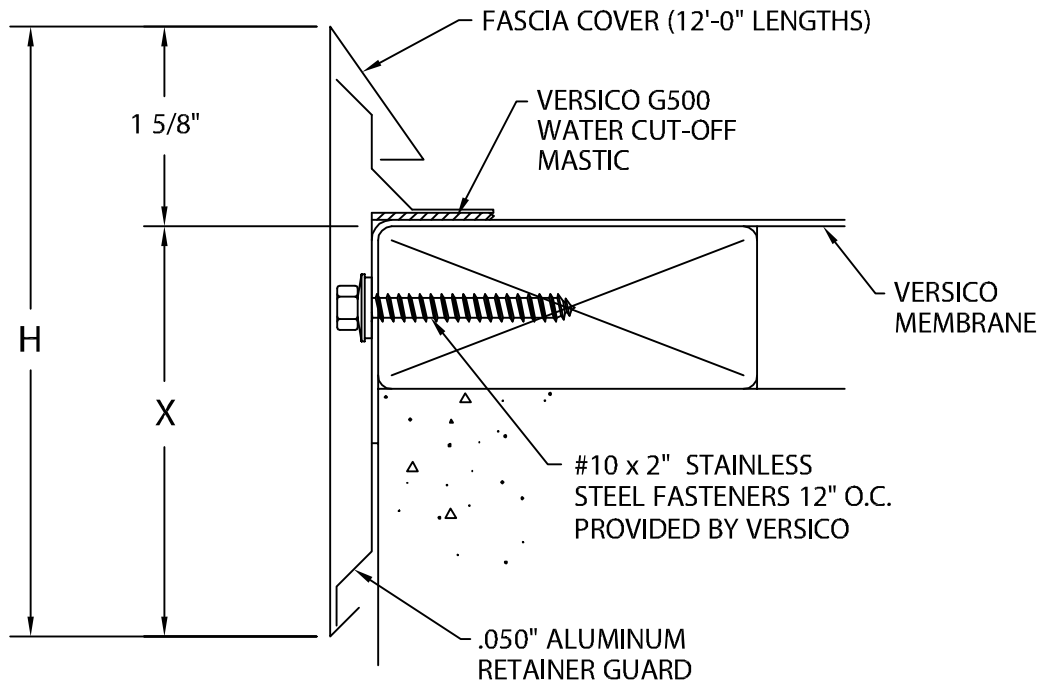




# VERSITRIM FASCIA SYSTEM

FULLY ADHERED OR MECHANICALLY ATTACHED SINGLE-PLY VERSION



Fascia is to be installed per Specifications and Versico's Installation Instructions Dwg. # 18110-1992

## VERSITRIM FASCIA SYSTEM DIMENSIONS

PRODUCT ID. NO.	H DIM	X DIM	NAILER COVERAGE
<input type="checkbox"/> VT-40	4" (102 mm)	2 3/8" (60 mm)	1 NAILER
<input type="checkbox"/> VT-55	5 1/2" (140 mm)	3 7/8" (98 mm)	2 NAILERS
<input type="checkbox"/> VT-70	7" (178 mm)	5 3/8" (137 mm)	3 NAILERS

## MATERIAL:

24 Ga. Galv. Steel  
 .040" Aluminum  
 OTHER \_\_\_\_\_

Color: \_\_\_\_\_ Finish: \_\_\_\_\_

Fabrication will proceed only after receipt of signed print approval.

## Print Approval:

Architect and/or contractor shall verify all dimensions, sizes and quantities. All products to be installed in strict accordance with with Versico, Inc's. printed instructions.

Approved by: \_\_\_\_\_

Date: \_\_\_\_\_

## QUANTITIES:

\_\_\_\_\_ Lineal Feet (12'-0" Lengths)  
 \_\_\_\_\_ Outside Miter(s) @ 90°  
 \_\_\_\_\_ Inside Miter(s) @ 90°  
 \_\_\_\_\_ Overflow Scupper Style \_\_\_A\_\_\_B  
 \_\_\_\_\_ Spillout Scupper Style \_\_\_A\_\_\_B  
 \_\_\_\_\_ Downspout Scupper Style \_\_\_A\_\_\_B  
 (\_\_\_\_X\_\_\_\_) Size A: Tapered 1 1/2" Drop  
 B: Flat

FOR NON-90 MITERS SEE PRINT APPROVAL #18010-2039

PROJECT:

ARCHITECT:

ROOFING CONTRACTOR:

REPRESENTATIVE/DISTRIBUTOR:

**Customer Service**  
**800-558-2162**  
**(Metal-Era)**



DATE: 03/04/17

DRN BY: JJC

CKD BY: SAK

SHT.# \_\_\_ OF \_\_\_

DWG# 18010-1993

C