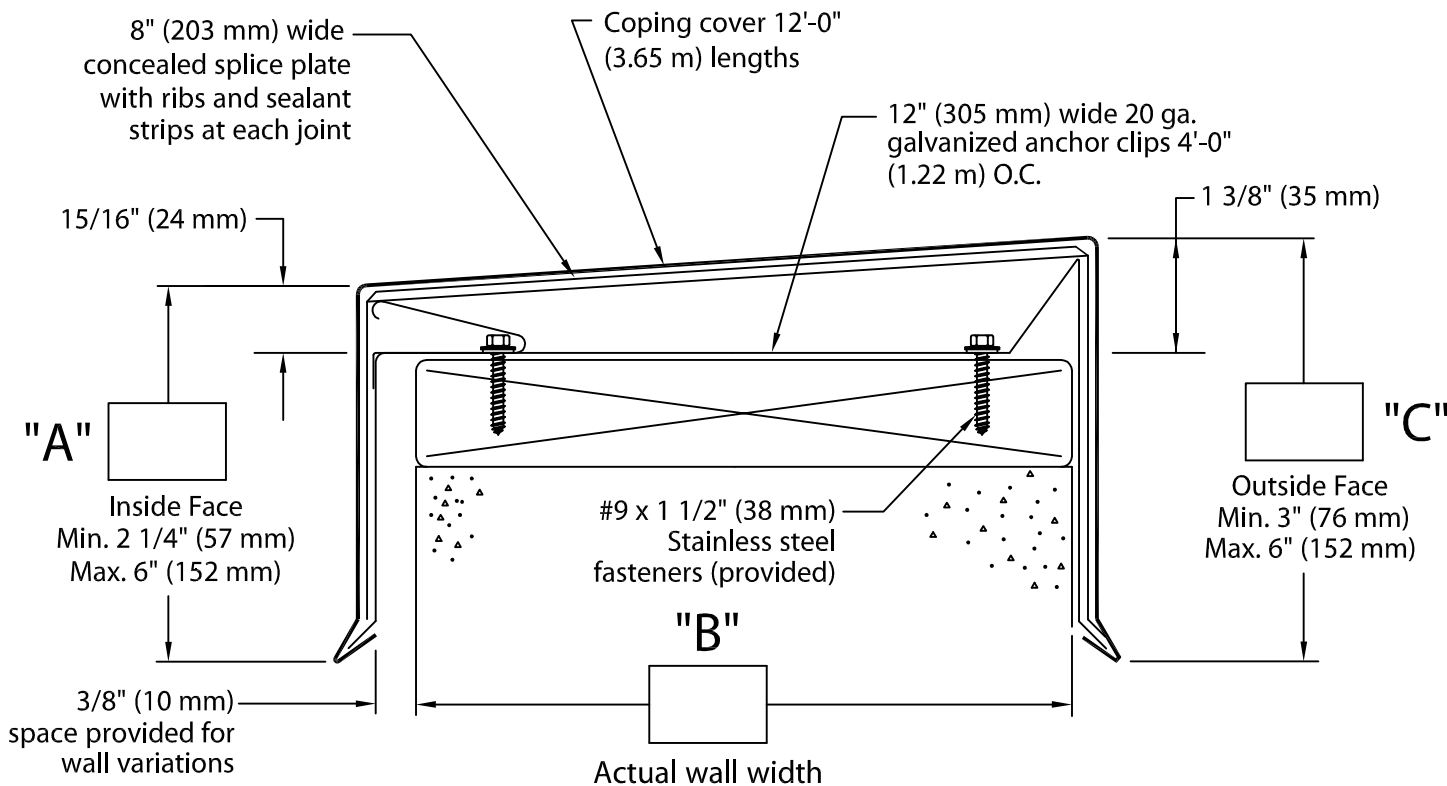


DESIGNER LEAK-TITE COPING



Coping is to be installed per Specifications and Metal-Era's Installation Instruction Dwg. # 11111-6648.

-- Concealed splice plates are provided with factory applied dual non-curing sealant strips.
 -- Unless otherwise noted, fabrication of miters and accessories are furnished standard utilizing a non-penetrating quicklock joint, then factory sealed watertight.

-- Welded Miters and Accessories
 Check one Required (surcharge) Not applicable

Fabrication will proceed only after receipt of signed print approval.

Print Approval:

Architect and/or contractor shall verify all dimensions, sizes and quantities. All products to be installed in strict accordance with Metal-Era's printed instructions.

Approved by: _____

Date: _____

MATERIAL:

___ 24 Ga. (0.65 mm) Galv.
 ___ .040" (1.01 mm) Alum. Color: _____
 ___ .050" (1.27 mm) Alum.
 ___ .063" (1.60 mm) Alum. Finish: _____
 ___ OTHER _____

QUANTITIES:

_____ Lineal Feet 12'-0" (3.65 m) Lengths
 _____ Outside Miters @ (_____)°
 _____ Inside Miters @ (_____)°
 _____ Right End Caps
 _____ Left End Caps

PROJECT:

ARCHITECT:

ROOFING CONTRACTOR:

REPRESENTATIVE/DISTRIBUTOR:

Corporate Offices, Manufacturing
 1600 Airport Road; Waukesha, WI 53188
 Phone: 800-558-2162
 Fax: 800-373-9156
 www.metalera.com



DATE: 03/19/09

DRN BY: JJC

CKD BY: SAK

SHT.# _____ OF _____

DWG# 11011-6647

C